

 **CELESTRON**[®]

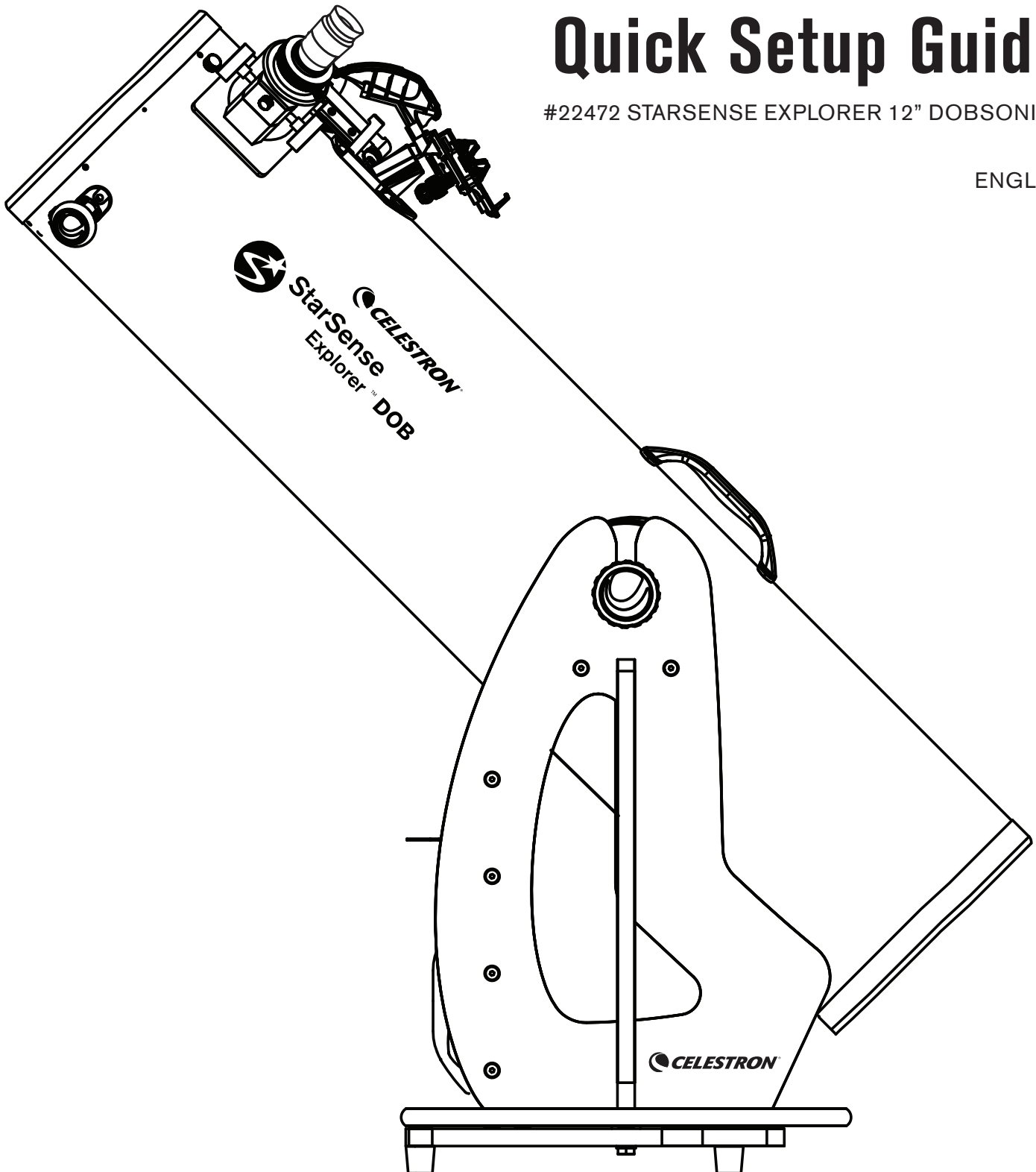


StarSense
Explorer™ DOB

Quick Setup Guide

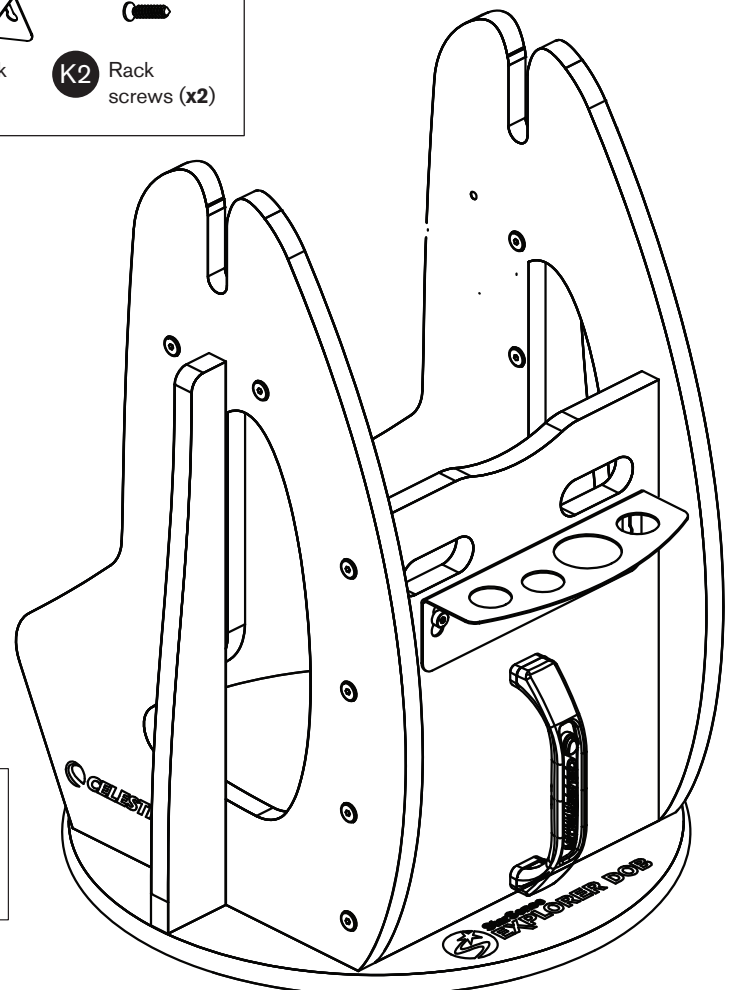
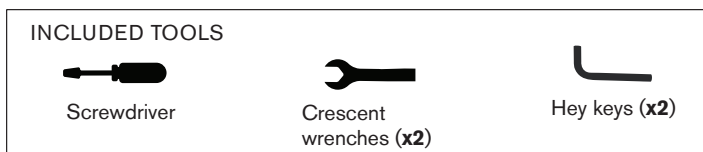
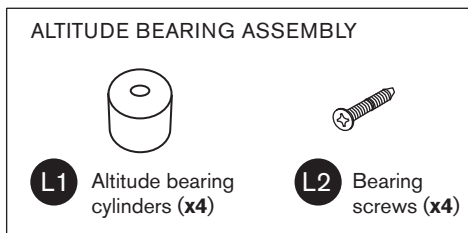
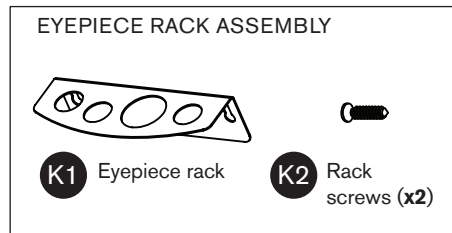
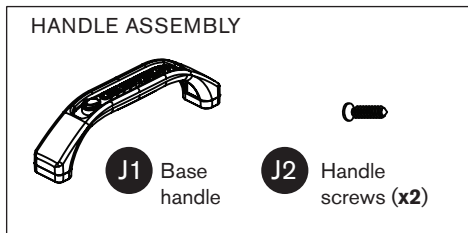
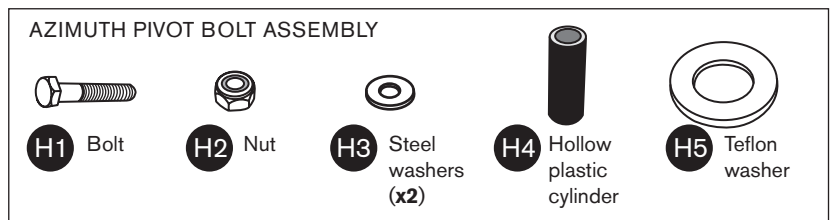
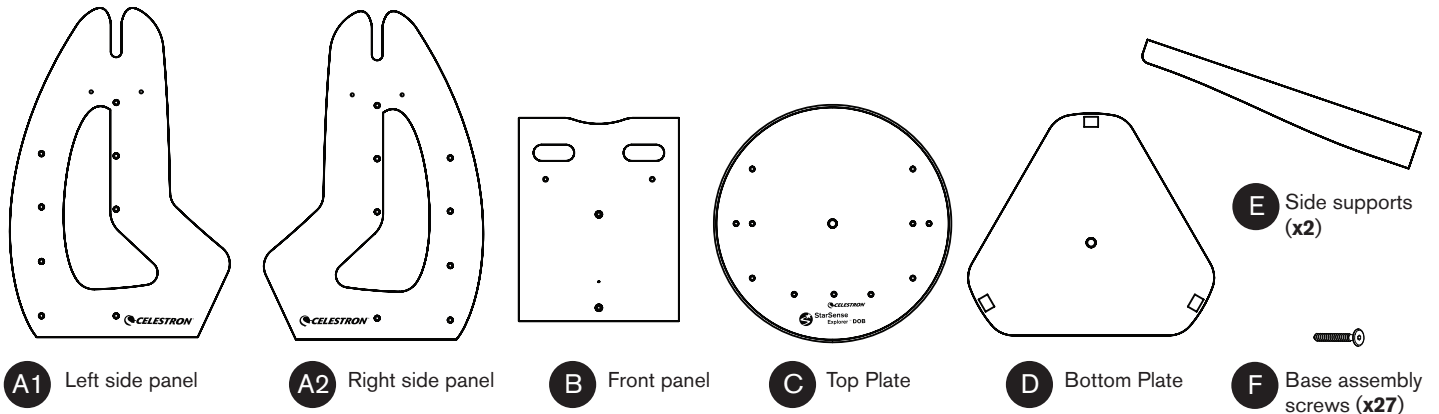
#22472 STARSSENSE EXPLORER 12" DOBSONIAN

ENGLISH

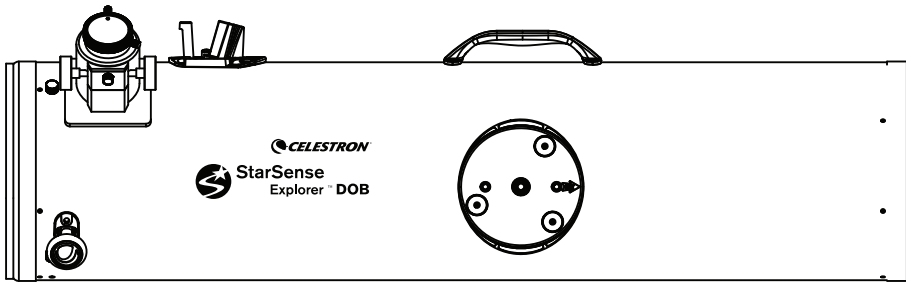


What's in the Box

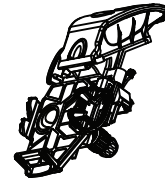
Box 1 - Dobsonian Base



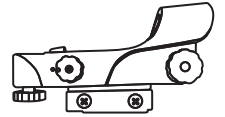
Box 2 - Optical Tube Assembly



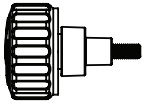
O Optical tube assembly with dust cover



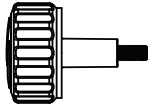
P StarSense dock



Q StarPointer™ red dot finderscope



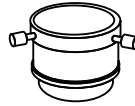
N1 Altitude tensioning knob



N2 Cosmetic knob



R1 32mm Omni Plössl eyepiece



S 2" focuser extension tube

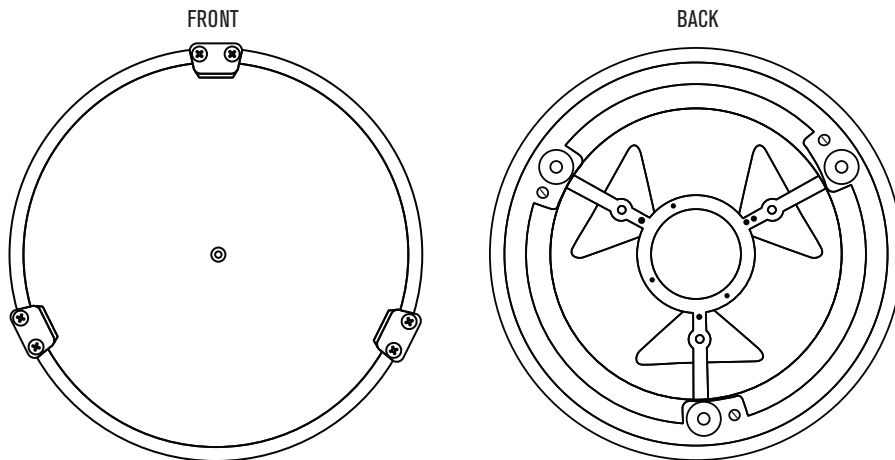


T 2"-to-1.25" eyepiece adapter with 1.25" cover cap



U Collimation cap with 2mm hex key

Box 3 - Primary Mirror

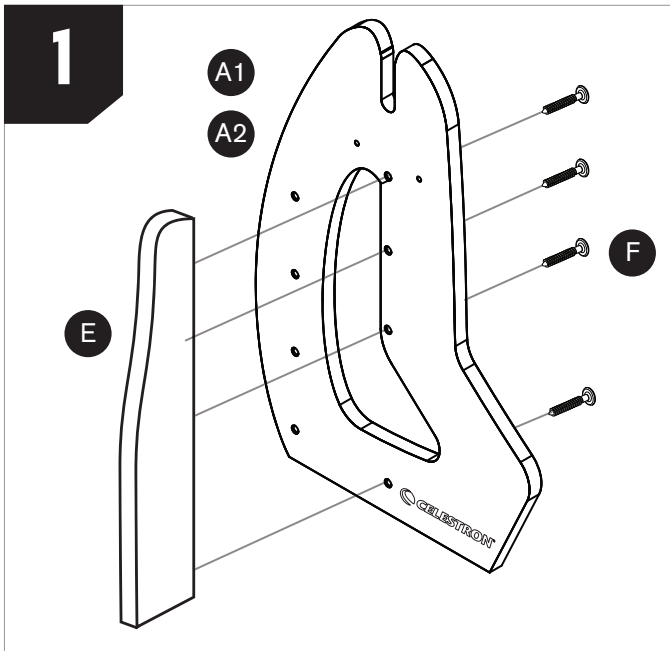


V Primary mirror in mirror cell

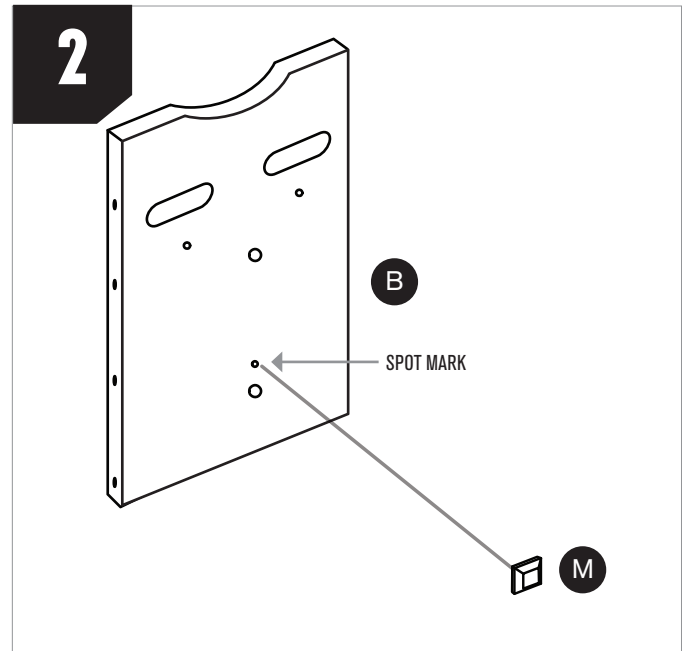


W Mirror cell screws (x6)

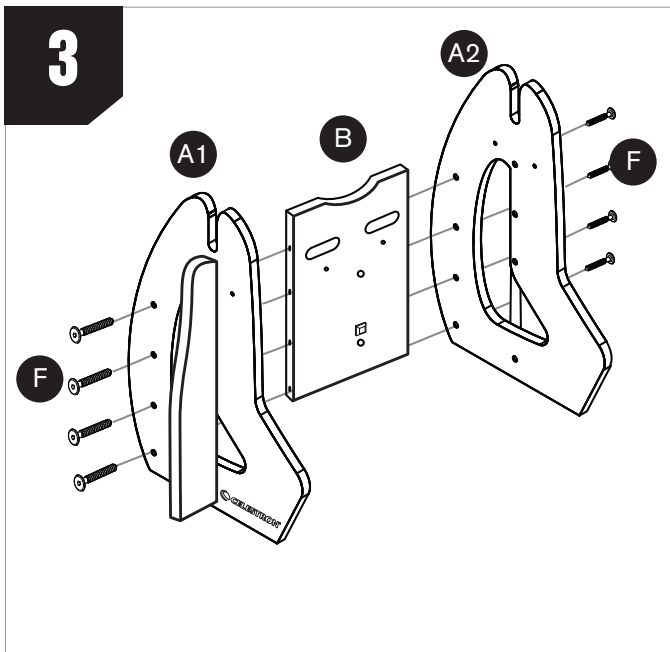
Assembly



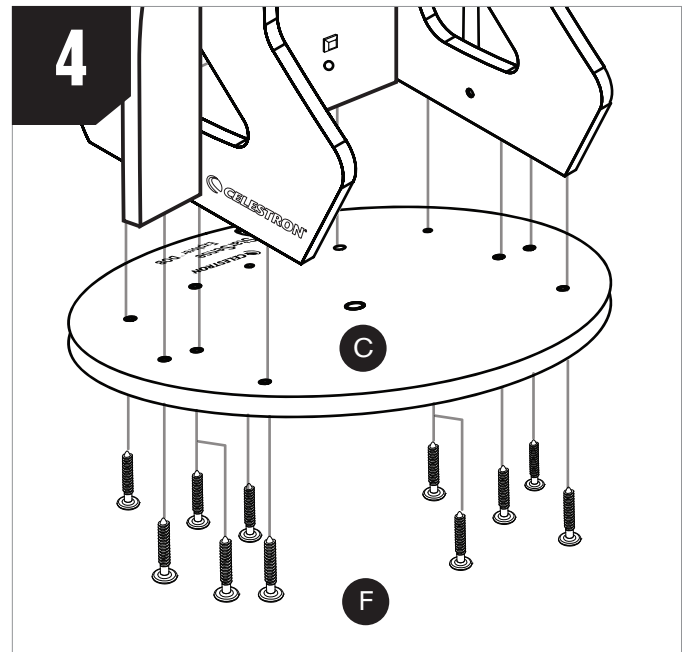
1. Connect the side supports (E) to the left side panel (A1) and right side panel (A2) using 8 of the base assembly screws (F). The supports go on the on the same side of the panels as the Celestron logos.



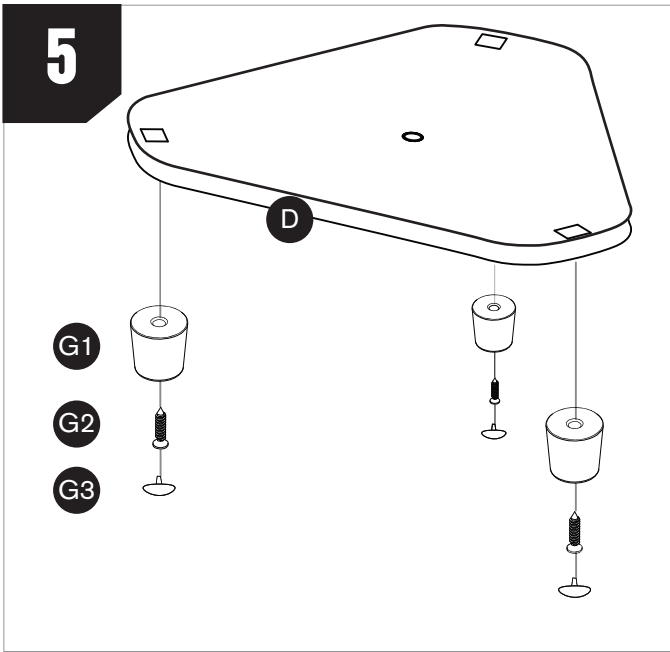
2. Attach the rubber bumper (M) to the interior surface of the front panel (B). There is a small spot on the front panel that indicates where to place the rubber bumper. Remove the adhesive backing from the bumper and press the bumper firmly onto the spot.



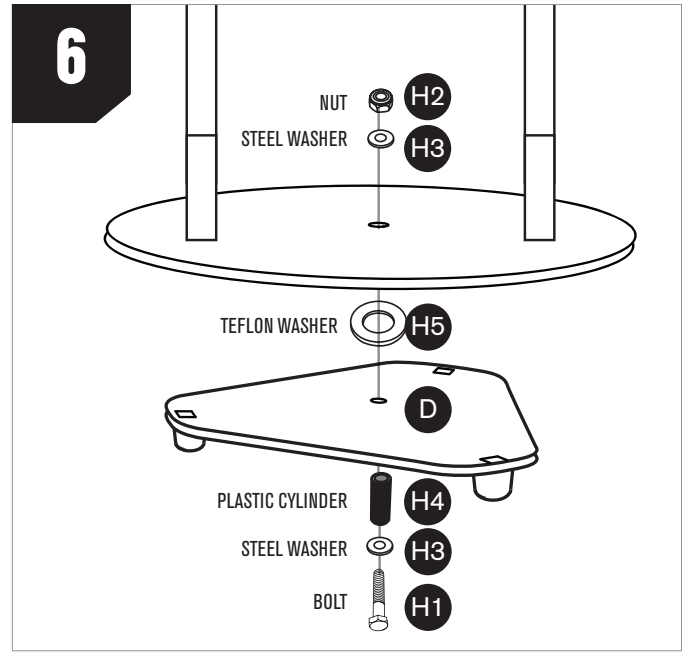
3. Connect the side panels (A1 & A2) to the front panel (B) using 8 of the base assembly screws (F). Make sure the Celestron logos on the side panels face outward and the rubber bumper on the front panel faces inward.



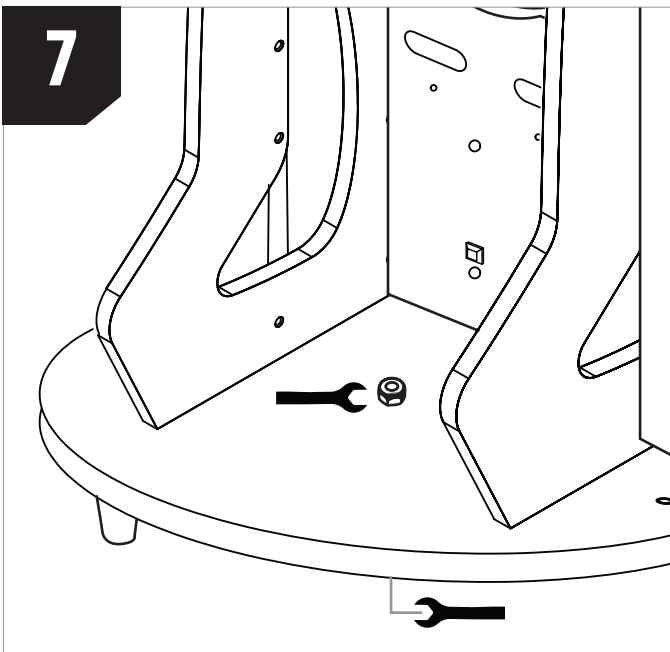
4. Connect the assembly to the top plate (C) using 11 of the base assembly screws (F). Orient the top plate so the side with the logo faces upward.



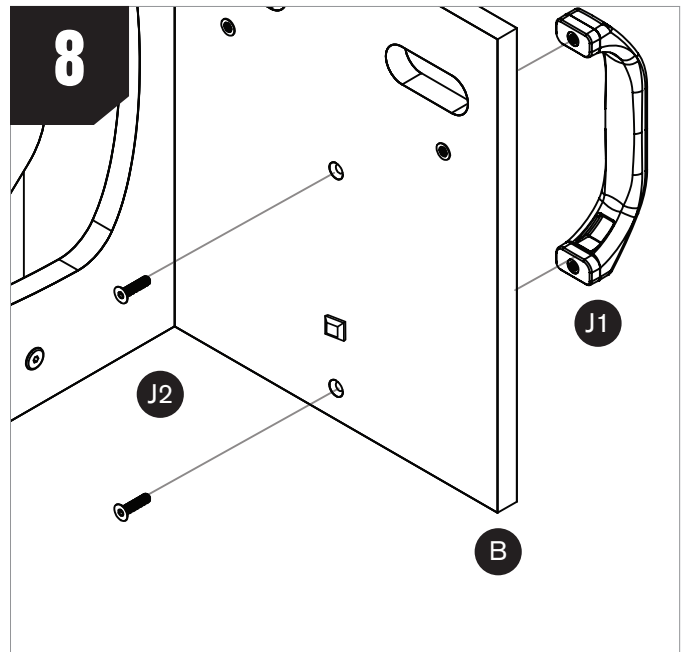
5. Attach the 3 feet (G1) to the bottom plate (D) using the 3 feet screws (G2). Thread the screws firmly into the predrilled pilot holes. Once installed, press the feet screw covers (G3) onto the ends of the feet.



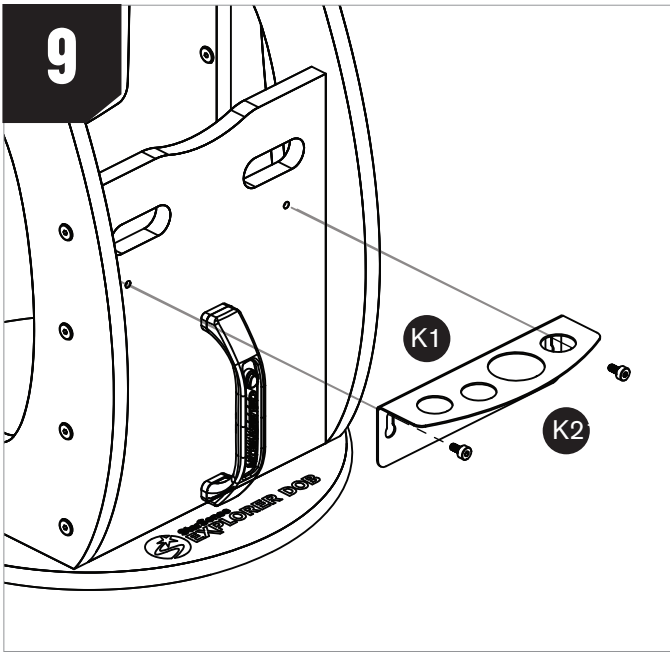
6. Connect the assembly to the bottom plate (D). Place one of the steel washers (H3) and the plastic cylinder (H4) onto the bolt (H1). Then, insert the bolt through the central hole in the bottom plate. Next, place the Teflon washer (H5) over the plastic cylinder (H4) now protruding from the bottom plate. Take the assembled base and lower it onto the bottom plate so that the plastic cylinder goes through the central hole in the top plate. Now, place the remaining steel washer (H3) on the end of the bolt protruding from the top plate. Thread the nut (H2) onto the bolt. Go to Step 7 for instructions to tighten the bolt.



7. Use the two crescent wrenches to tighten the nut onto the bolt. Hold the head of the bolt stationary with one crescent wrench while using the other crescent wrench to tighten the nut. **DO NOT OVERTIGHTEN THE NUT!** With some force, you should still be able to move the steel washer underneath the nut with your fingers. If the washer cannot be moved with your fingers, slightly loosen the nut.

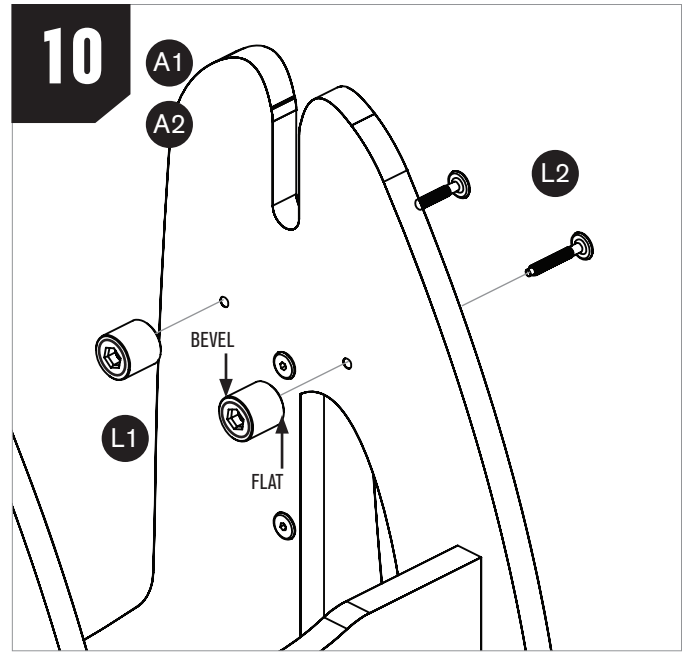


8. Install the base handle (J1) onto the outside of the front panel (B) using the 2 handle screws (J2).

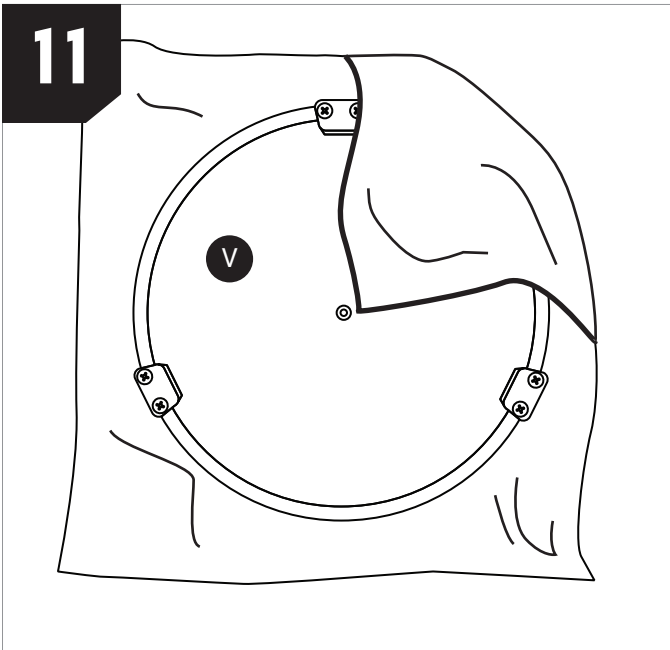


9. Install the 2 rack screws (**K2**) onto the front panel, then install the eyepiece rack (**K1**) by inserting the head of the rack screw through the keyhole in the eyepiece rack, then push the rack downwards.

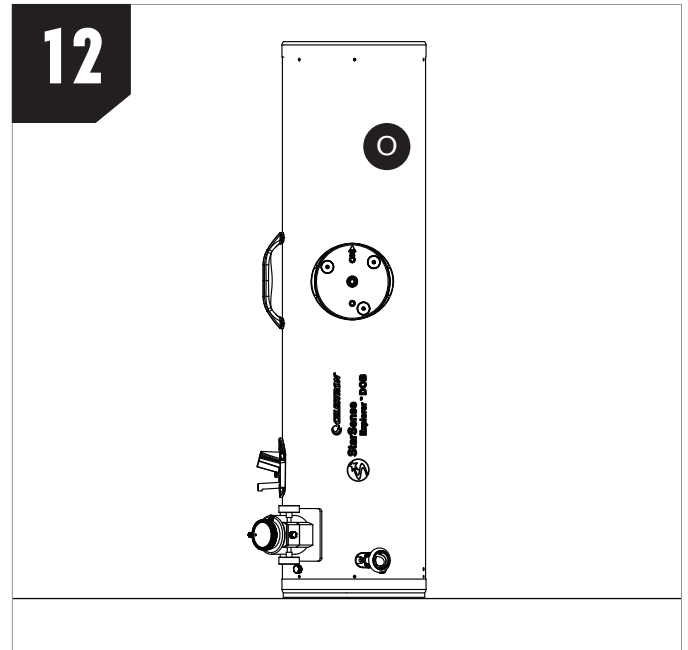
NOTE: If you want to remove the rack after it has been installed, simply pull it upward.



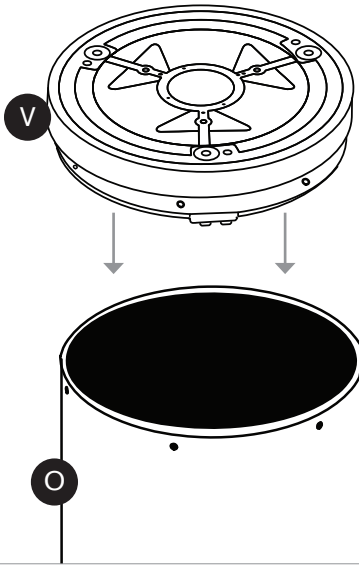
10. Install the altitude bearing cylinders (**L1**) onto the left and right side panels (**A1 & A2**) with the altitude bearing screws (**L2**). The bearings go on the interior surfaces of the side panels. The flat end of the bearing—with no bevel on it—should be flush to the surface of the panel.



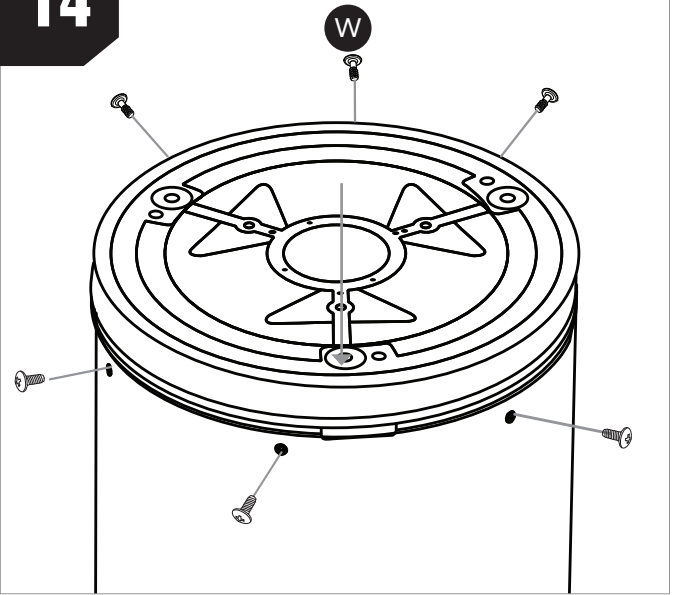
11. Install the primary mirror cell (**V**) into the optical tube assembly (**O**). First remove the plastic wrap and tissue paper that protect the primary mirror during shipment.



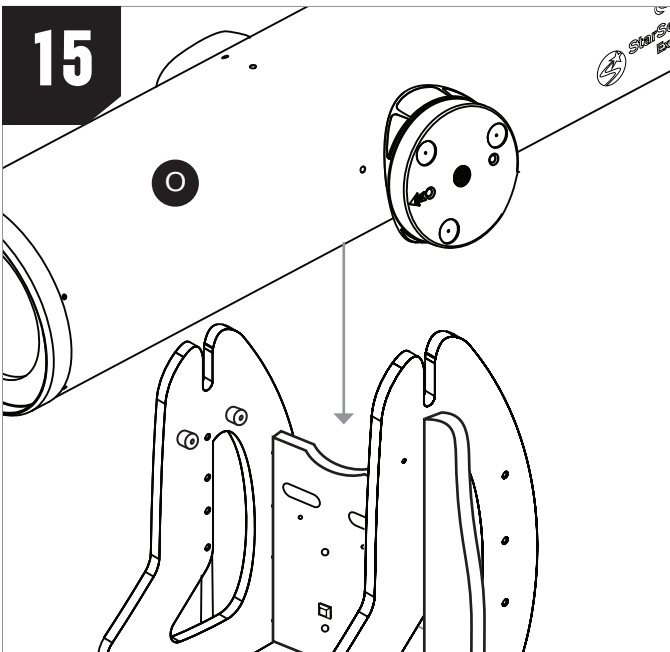
12. Stand the optical tube assembly (**O**) up vertically so the front end is on the ground and the exposed edge of the bottom of the tube faces upward.

13

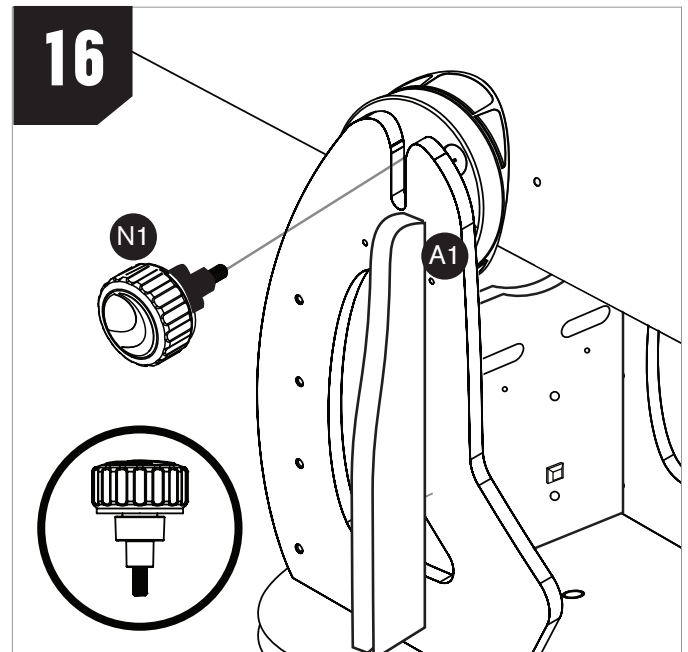
13. Turn the primary mirror cell upside-down (**V**) (i.e., so the primary mirror faces downward), align the threaded holes in the mirror cell's perimeter with the through holes in the end of the tube, and place the mirror cell onto the tube.

14

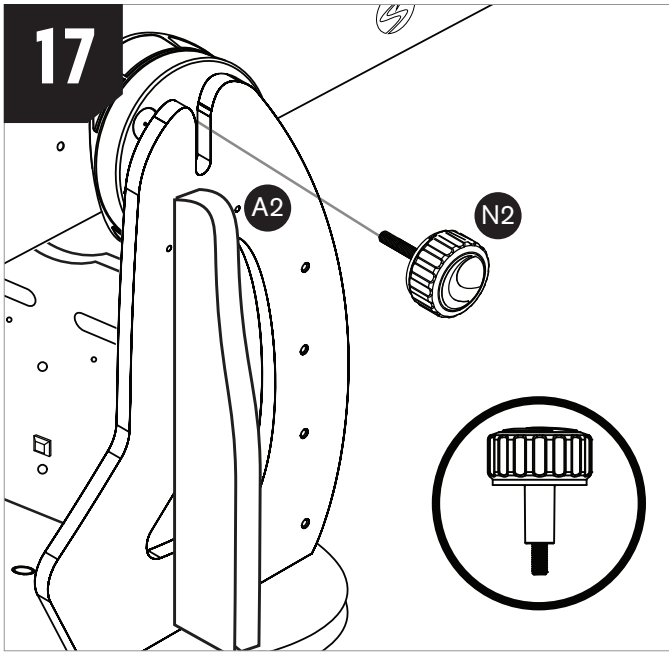
14. Next, install the mirror cell screws (**W**) through the tube and into the cell. Do not firmly tighten the screws yet because you may need to make slight adjustments to the cell's position to precisely align the holes. Once all the screws are threaded into the mirror cell, firmly tighten them in place.

15

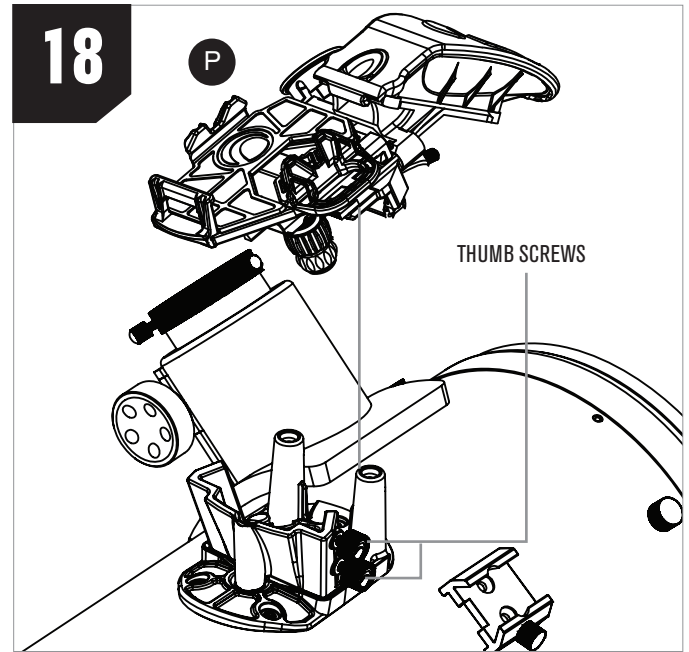
15. Place the optical tube assembly (**O**) onto the assembled Dobsonian base. The side hubs on the tube should sit on the altitude bearing cylinders on the base.

16

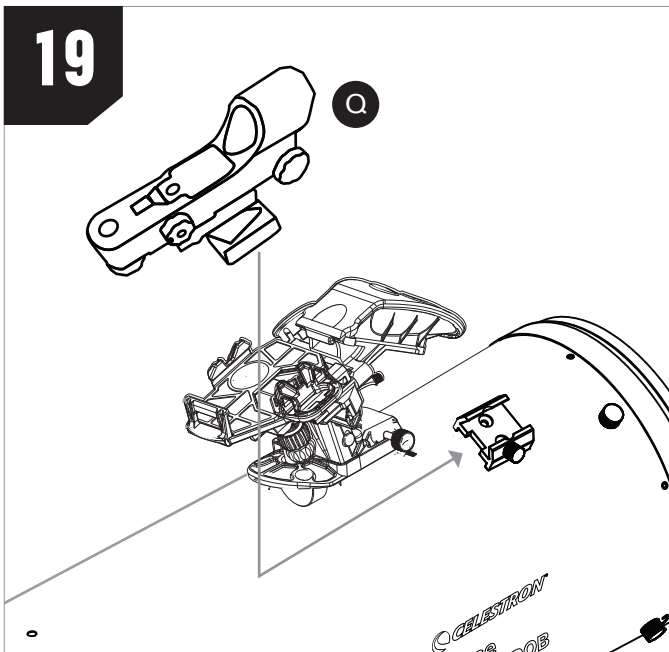
16. Install the altitude tensioning knob (**N1**) through the slot in the left side panel (**A1**) and into the threaded insert in the center of the side hub on the optical tube assembly. The tensioning knob (**N1**) is the one with the stepped bushing on its shaft.



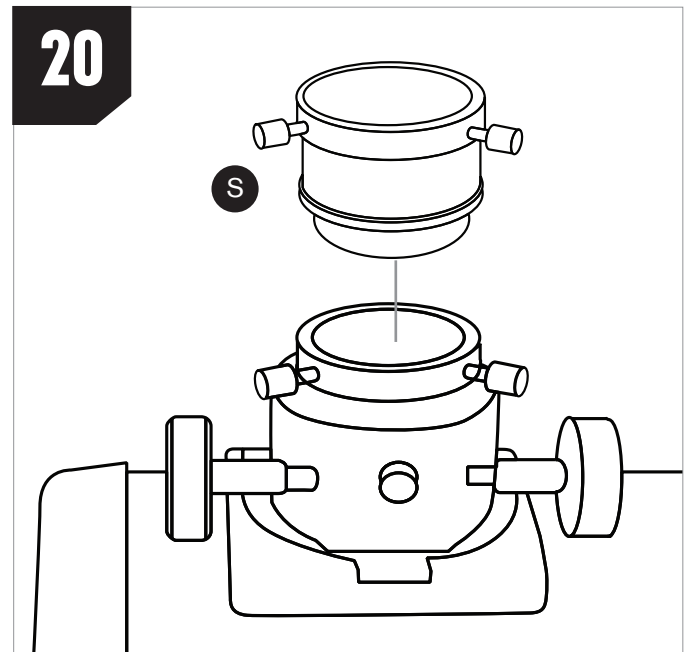
17. Install the cosmetic knob (**N2**) through the slot in the right side panel (**A2**) and into the threaded insert in the center of the side hub on the optical tube assembly. The cosmetic knob (**N2**) is the one with the straight bushing on its shaft.



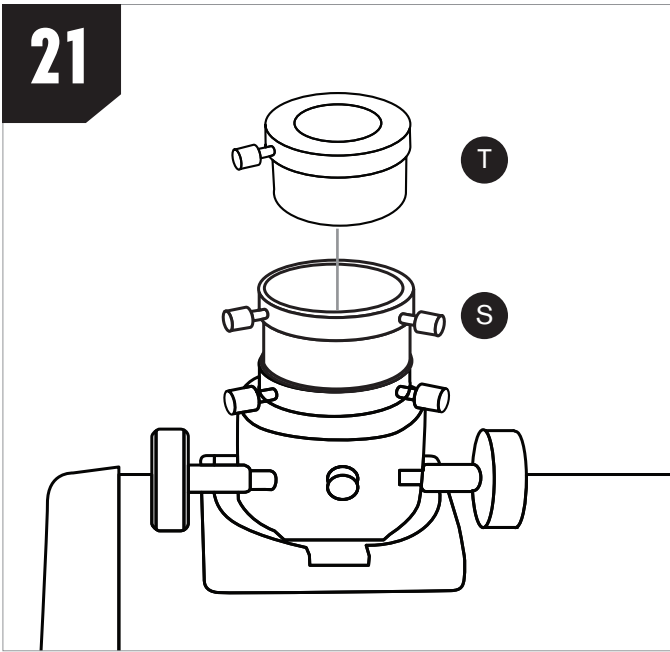
18. Install the StarSense dock (**P**). First, loosen the 2 thumbscrews on the StarSense base on the tube. Insert the dock into the base, and then retighten the thumbscrews.



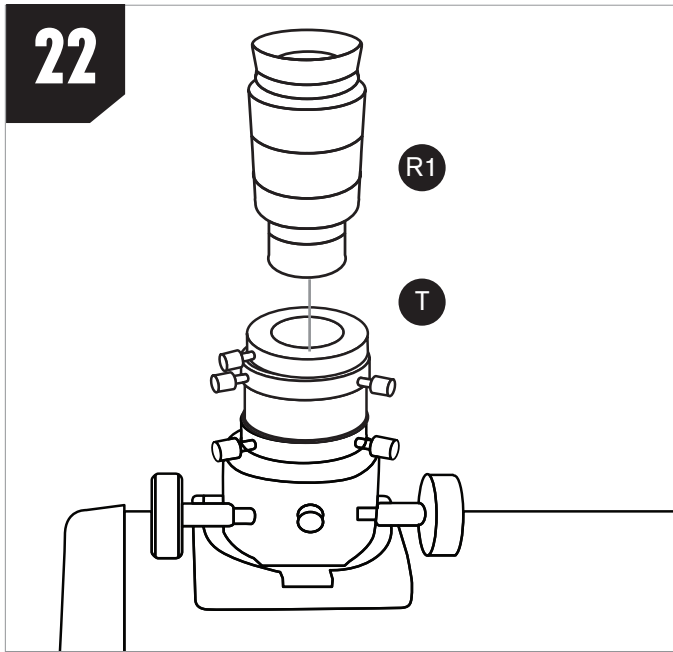
19. Install the StarPointer red dot finderscope (**Q**) onto the optical tube assembly. First, loosen the thumbscrew on the finderscope holder. Insert the base of the StarPointer into the holder and tighten the thumbscrew.



20. Loosen the thumbscrews on the end of the focuser and insert the 2" extension tube (**S**) into the focuser. Retighten the thumbscrews.



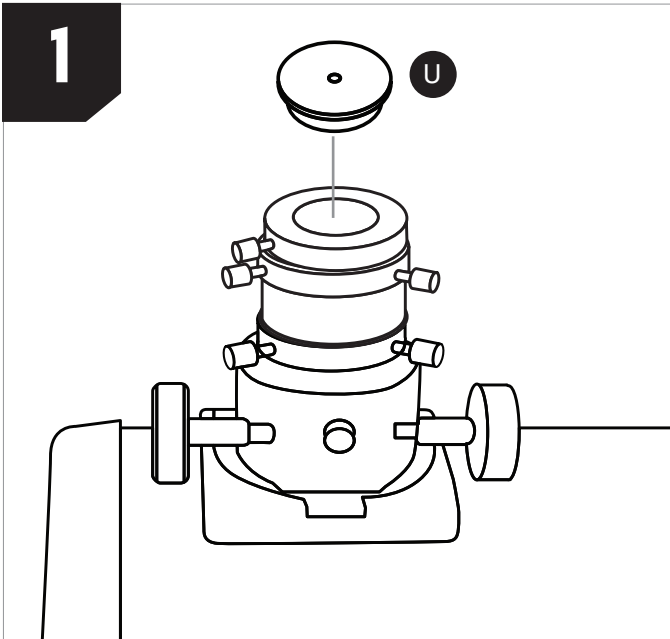
21. Loosen the thumbscrews on the 2" extension tube (S) now installed in the focuser and insert the 2"-to-1.25" eyepiece adapter (T). Retighten the thumbscrews on the 2" extension tube. The 2"-to-1.25" eyepiece adapter may already be installed in the 2" extension tube.



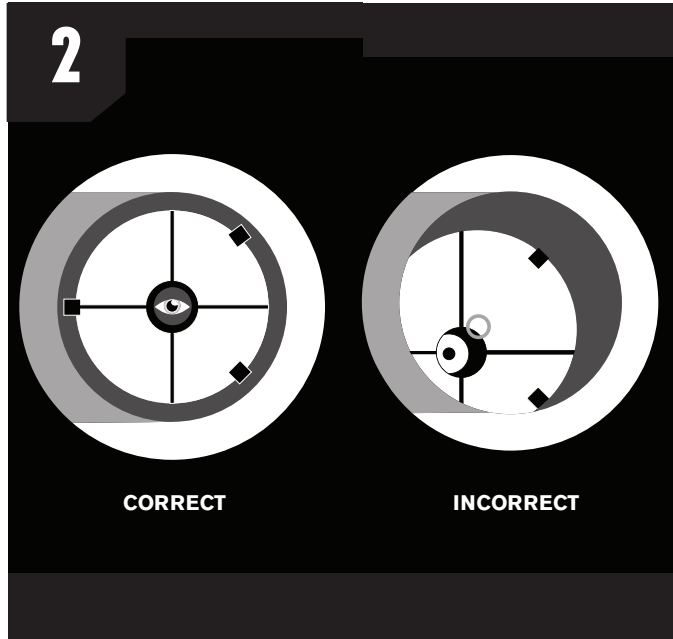
22. Loosen the thumbscrews on the 2"-to-1.25" eyepiece adapter (T) now installed in the focuser, place the 32mm Omni Plössl eyepiece (R1) into the adapter, and retighten the thumbscrews on the adapter.

Collimating the Optics

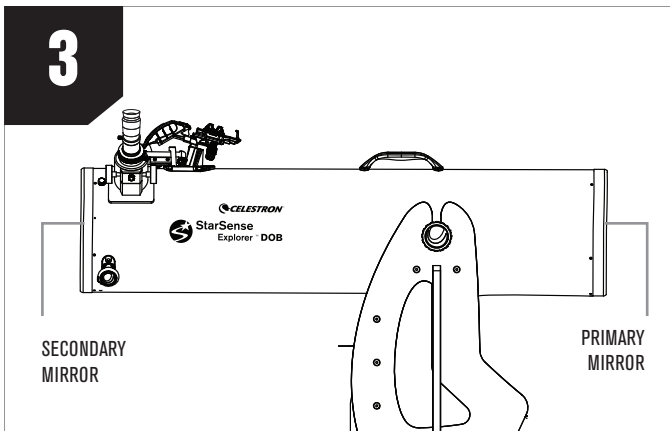
Collimation is the process of aligning the telescope's optics. Since the primary mirror does not come installed in the optical tube, we recommend collimating the optics before your first night out. It is easiest to collimate a telescope during the day with the telescope pointed toward a blank wall. This will provide a high-contrast view, making it easier to determine which adjustments to make. Use the supplied hex key(s) to make adjustments.



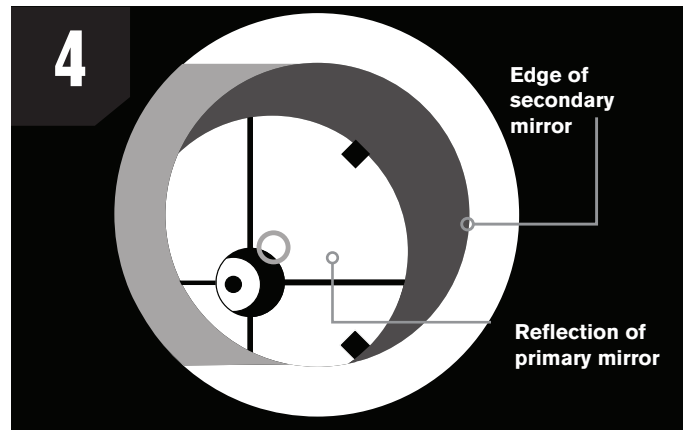
1. To check alignment of the mirrors, first remove any eyepieces. Make sure the 2"-to-1.25" adapter is installed in the focuser. Then, place the collimation cap (U) in the focuser.



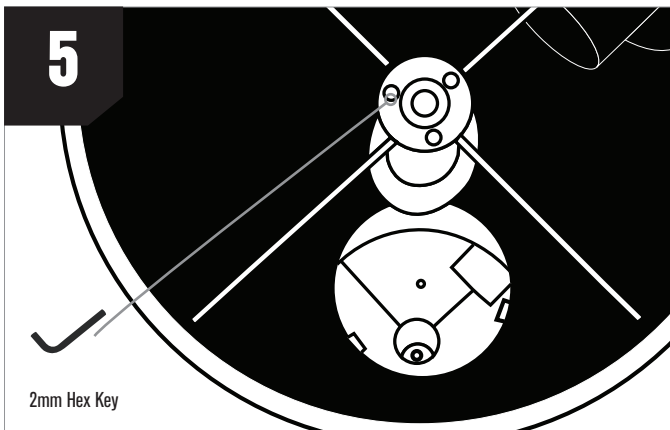
2. Look through the small hole in the center of the collimation cap. If your view matches the first image, your optics are collimated properly and you are finished. If your view resembles the second image, you'll need to adjust the mirrors' alignment. Continue to step 3.



3. While making adjustments, position the tube horizontally. This prevents anything from falling onto the primary mirror.



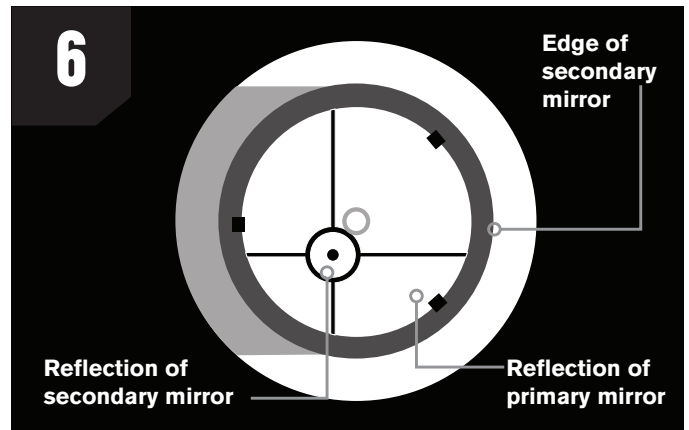
4. You should be able to see the reflection of the entire primary mirror centered within the secondary mirror as shown in Step 2. If you can't, as shown above, the secondary mirror will need adjustment.



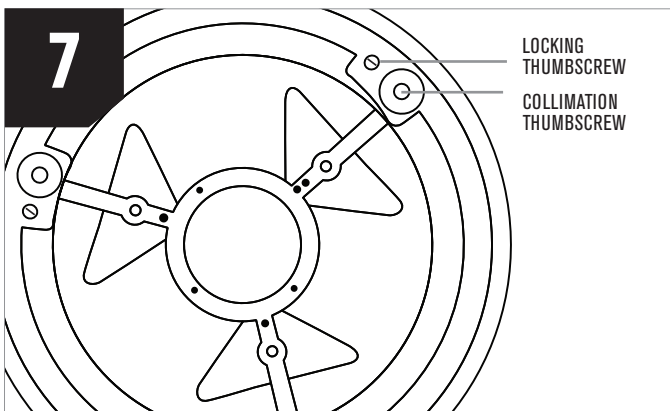
5. First, adjust the secondary mirror at the front of the telescope using the 2mm hex key. Use the three socket-head setscrews in the secondary mirror holder to adjust the tilt of the secondary mirror.

- a.** Adjust one setscrew at a time. Make only small adjustments.
- b.** If one setscrew becomes too tight or too loose, make adjustments to the other setscrews to compensate.

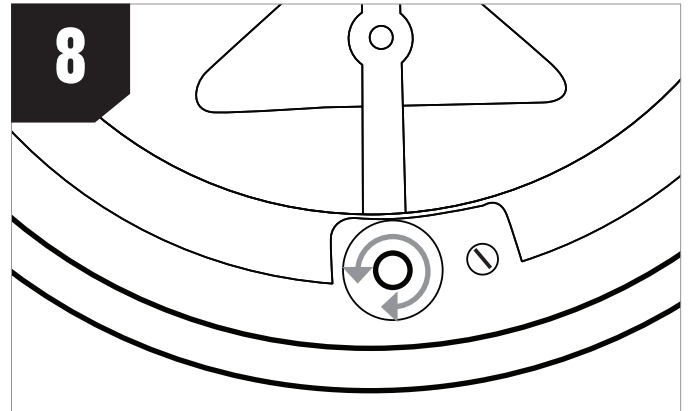
When you are finished, make sure all three of the setscrews are snug.



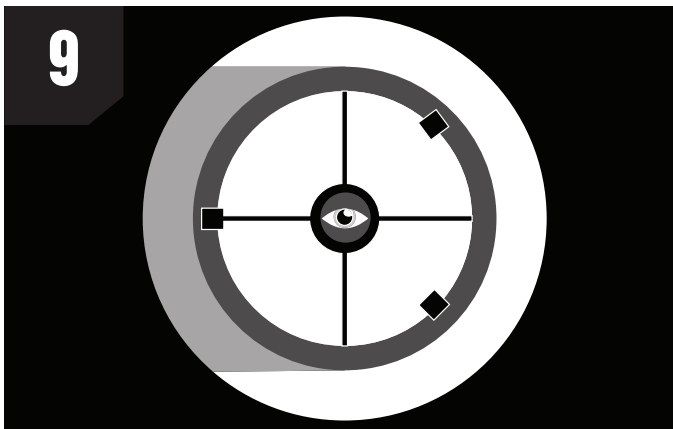
6. Look through the collimation cap again to verify that the primary mirror is centered in the secondary mirror as shown above. If it is, the secondary mirror is collimated. Next, adjust the tilt of the primary mirror until the reflection of the secondary mirror is centered within the reflection of the primary mirror.



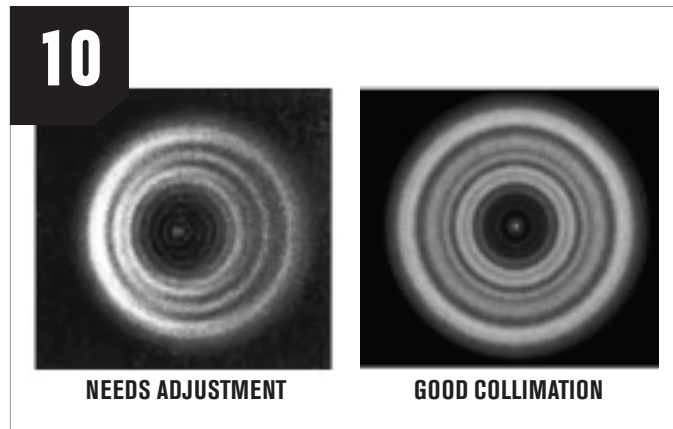
7. You won't need any tools to tilt the primary mirror. Instead, simply adjust the thumbscrews. The three smaller thumbscrews are locking thumbscrews, while the larger three collimation thumbscrews adjust the tilt. Start by loosening all three of the locking thumbscrews.



8. Adjust the collimation thumbscrews one at a time. Each collimation thumbscrew is spring-loaded, so you can rotate it clockwise or counterclockwise.

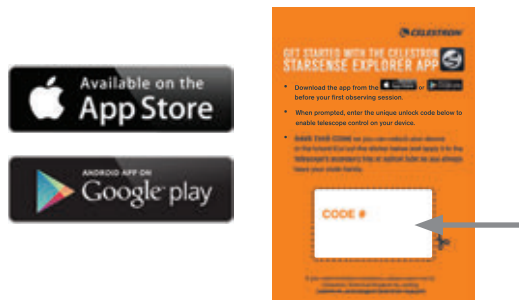


9. Continue adjusting the collimation thumbscrews until the reflection of the secondary mirror is centered within the reflection of the primary mirror as shown above. Re-tighten the three locking thumbscrews until snug. When you are finished, the view through the collimation cap should look as shown.



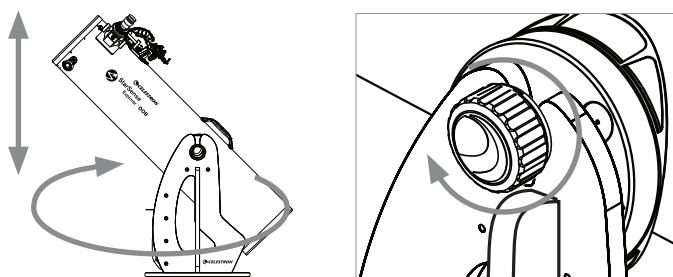
10. Your telescope's optics are now collimated and ready for use. You can also confirm a telescope's collimation at night by pointing the telescope at a bright star at high magnification. Center the star in the field of view and slightly defocus the star—it should appear like a circle with a hole in the middle. (The "hole" is the shadow from the secondary mirror.) If the hole is not centered within the circle, you'll need to make additional adjustments to mirrors' alignment.

Activating the App



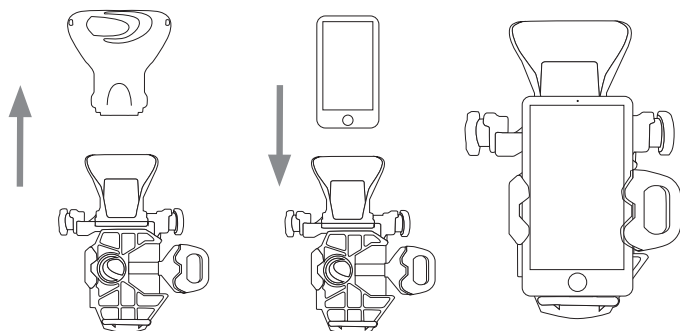
1. Before you take your telescope outside, download the StarSense Explorer by SkySafari™ app to your mobile device. Search for "Celestron StarSense Explorer" in the Apple App Store or Google Play. The app is large, so we recommend downloading it while connected to Wi-Fi.
2. Once you have downloaded the app, locate the orange postcard in your telescope box. Launch the app. When prompted, enter the activation code on the postcard to activate the app. Your code will unlock up to 5 devices.

Moving the Telescope



1. The StarSense Dobsonian telescope moves freely in altitude (up-and-down) and azimuth (left-to-right). Simply move the tube by pushing it in the desired direction. You can use the knob handle at the front of the telescope for a hand grip.
2. If the altitude motion moves too freely, or the telescope moves up or down with no force being applied, tighten the altitude tensioning knob. Conversely, if it takes much force to move the telescope upwards or downwards, loosen the knob.

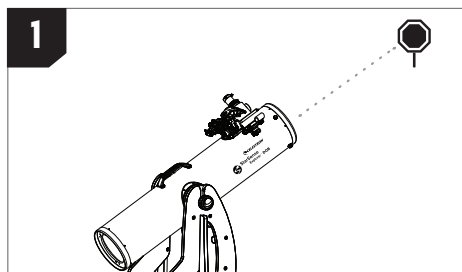
Attaching the Smartphone



1. Remove the large cap covering the mirror on the front of the StarSense dock.
2. Pull open the spring-loaded slider on the top of the phone dock and set the phone into the holder so it is flush with the bottom lip of the phone holder. Slowly release the slider to secure the phone in place.

Aligning the StarPointer

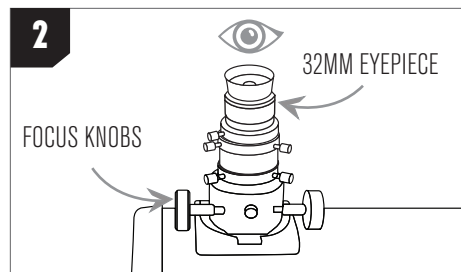
The StarPointer red dot finderscope is one of the most important parts of your telescope. Although the StarSense Explorer app will locate and center objects for you, having the StarPointer properly aligned will help you align the app to the telescope. The first time you assemble your telescope, you need to align the finder to the telescope's main optics. It's best to do this during the day.*



1. CHOOSE A TARGET

Take the telescope outside during the day and find an easily recognizable object, such as a streetlight, car license plate or sign. The object should be as far away as possible, but at least a quarter mile away.

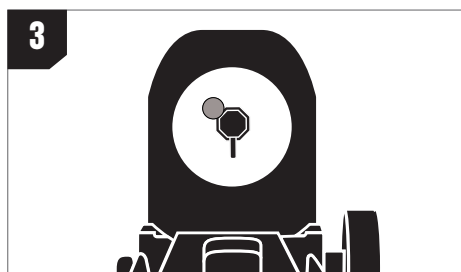
 ***SOLAR WARNING!** Never attempt to view the Sun through any telescope without a proper solar filter!



2. CENTER THE TARGET IN THE EYEPIECE

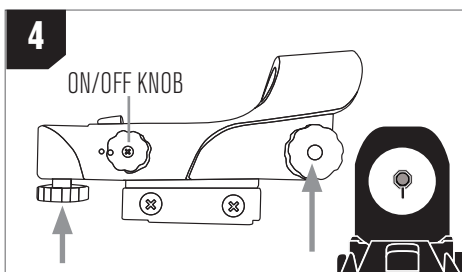
Look through the telescope using the 32mm eyepiece. Move the telescope until the object you chose lies in the center of the view. If the image is blurry, gently turn the focus knobs until it comes into sharp focus.

NOTE: The image in your telescope may appear inverted. This is perfectly normal in an astronomical telescope.



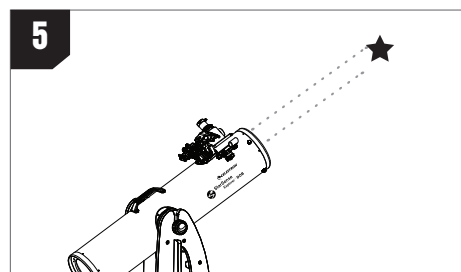
3. LOOK THROUGH FINDERSCOPE

Pull the battery protection tab out of the StarPointer and turn it on to maximum brightness using the on/off knob. Look through the StarPointer and locate the red dot.



4. ADJUST THE FINDERSCOPE

Without moving the telescope, use the two adjustment knobs to move the red dot until it appears over the same object you are observing in the telescope's 32mm eyepiece.



5. YOUR FINDERSCOPE IS NOW ALIGNED!

It should not require realignment unless it is bumped or dropped. Now, when you look through the StarPointer, the red dot will indicate where the telescope is pointing. Don't forget to turn off the red dot when you are finished to conserve battery.

Congratulations! Your telescope is now set up and you are ready to explore the cosmos.

Take the telescope outside, insert your 32mm eyepiece, remove the lens cap, insert your smartphone into the holder, and launch the StarSense Explorer app. The tutorial in the app will walk you through the steps to find your first astronomical target.

For more information on this product, please visit the respective product page on [celestron.com](https://www.celestron.com)



SOLAR WARNING:

Never attempt to view the Sun through any telescope without a proper solar filter.

[celestron.com/pages/warranty](https://www.celestron.com/pages/warranty)



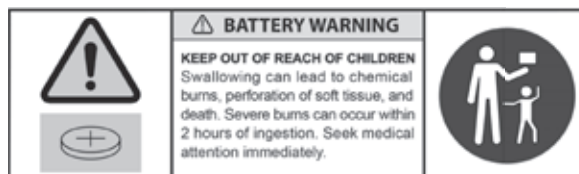
NEED ASSISTANCE? Contact Celestron Technical Support
[celestron.com/pages/technical-support](https://www.celestron.com/pages/technical-support)

Product design and specifications are subject to change without prior notification. This product is designed and intended for use by those 14 years of age and older



©2023 Celestron. Celestron and Symbol are trademarks of Celestron, LLC. All rights reserved. Celestron.com • 2835 Columbia Street, Torrance, CA 90503 USA

Made in China | 03-23



BATTERY WARNING

KEEP OUT OF REACH OF CHILDREN
Swallowing can lead to chemical burns, perforation of soft tissue, and death. Severe burns can occur within 2 hours of ingestion. Seek medical attention immediately.

WARNING: KEEP BATTERIES OUT OF REACH OF CHILDREN.

- Examine devices and make sure the battery compartment is correctly secured, e.g., that the screw or other mechanical fastener is tightened.
- Do not use if compartment is not secure.
- Dispose of used button batteries immediately and safely. Flat batteries can still be dangerous.
- Tell others about the risk associated with button batteries and how to keep their children safe.

SAFETY INSTRUCTIONS

- There is a risk of explosion if the battery is replaced with an incorrect type.
- The included battery is not rechargeable.
- Only use the battery as originally intended to avoid a short circuit. Connecting the conductive material directly to the battery's positive and negative sides will cause a short circuit.
- Do not use a damaged battery.
- Do not store the battery in an extremely cold or hot environment. Doing so can reduce battery life.
- When replacing the battery, refer to the instruction manual and ensure the positive and negative sides are oriented correctly.
- Do not put the battery in fire.
- Dispose of the battery according to local regulations.

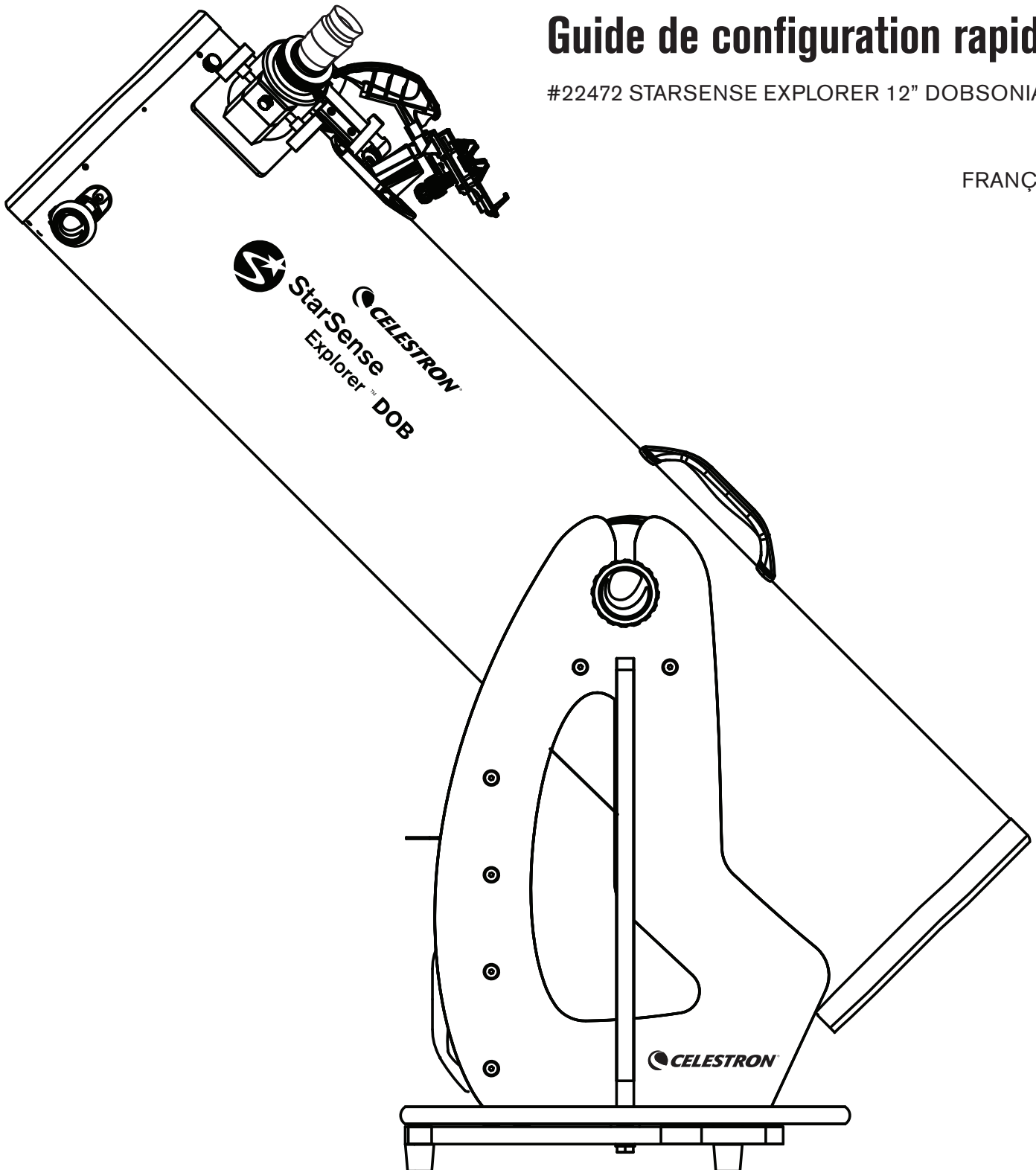


StarSense Explorer™ DOB

Guide de configuration rapide

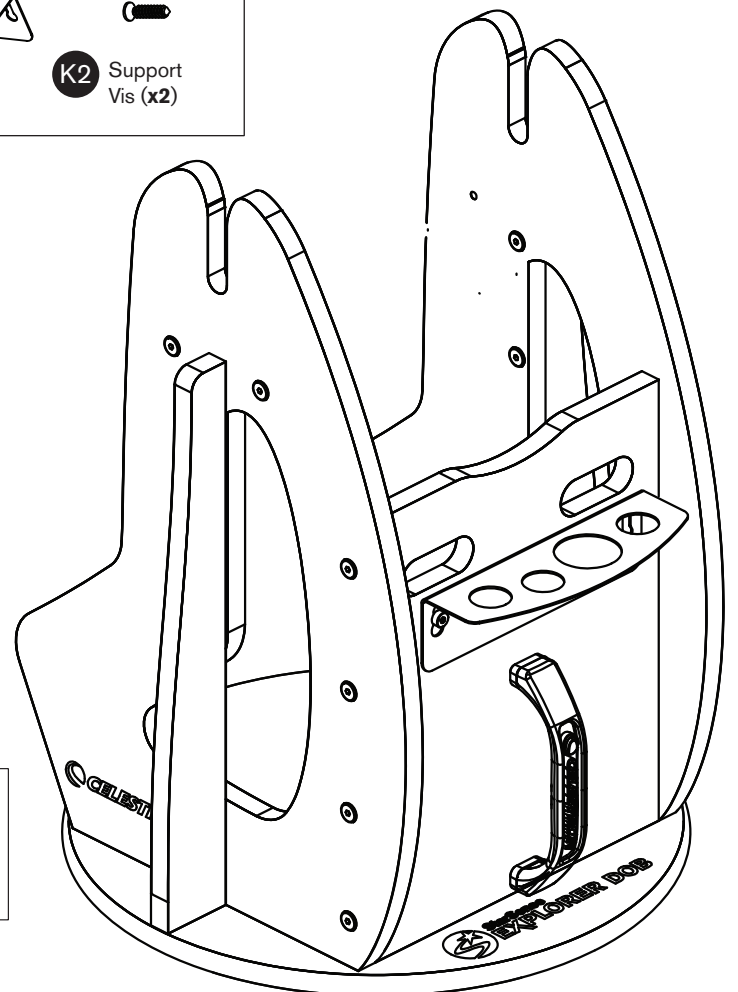
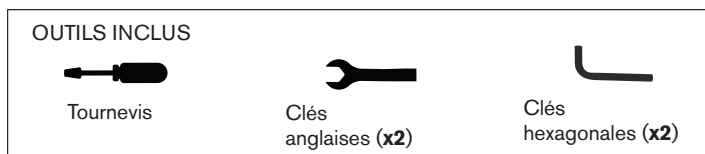
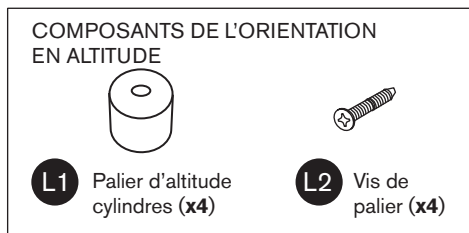
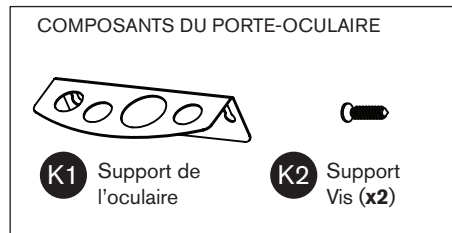
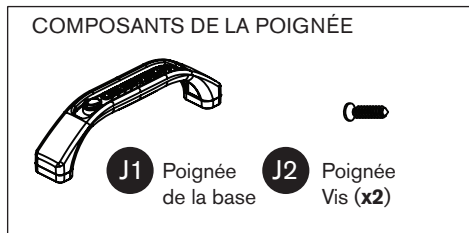
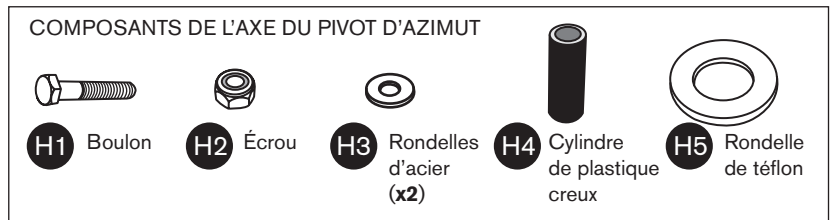
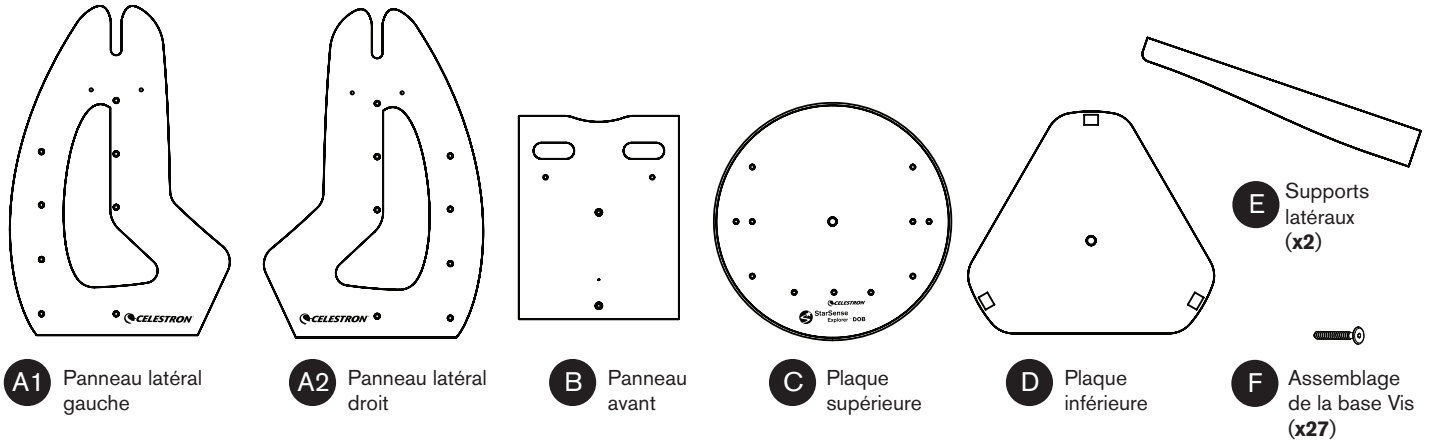
#22472 STARSENSE EXPLORER 12" DOBSONIAN

FRANÇAIS

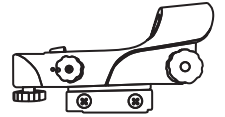
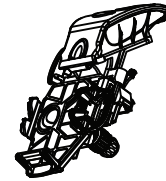
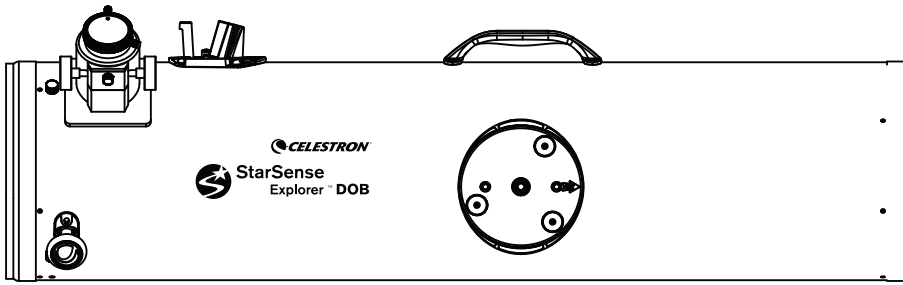


Contenu de la boîte

Boîte 1 - Base dobsonienne



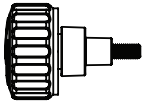
Boîte 2 – Composants du tube optique



O Composants du tube optique avec cache-poussière

P Dock StarSense

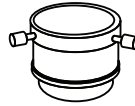
Q Lunette de recherche chercheur à point rouge



N1 Bouton de tension d'altitude



R1 Omni 32mm Oculaire Plössl



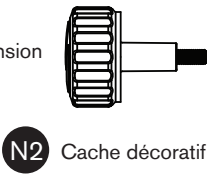
S Oculaire de 2" Tube de rallonge



T Oculaire de 2" à 1,25" Adaptateur avec cache de 1,25"

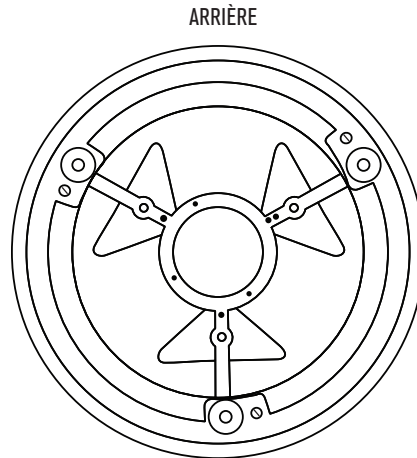
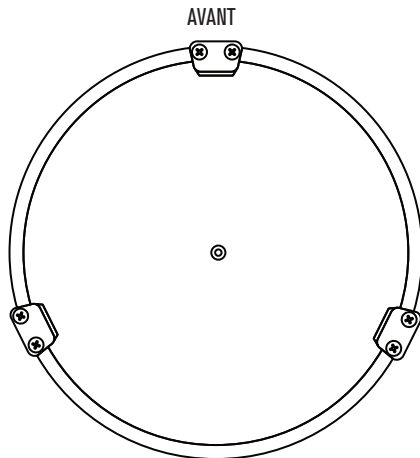


U Capuchon de collimation avec clé Allen de 2 mm



N2 Cache décoratif

BOÎTE 3 - Miroir primaire

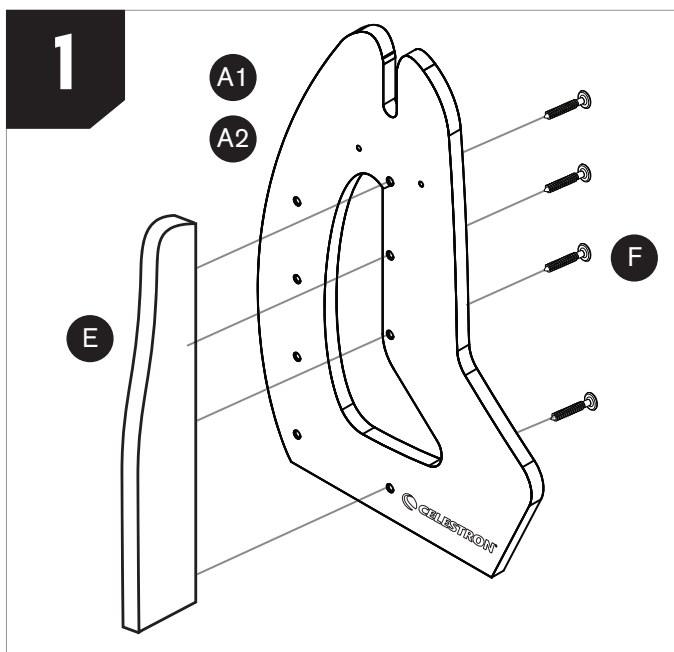


V Miroir primaire dans la cellule de miroir

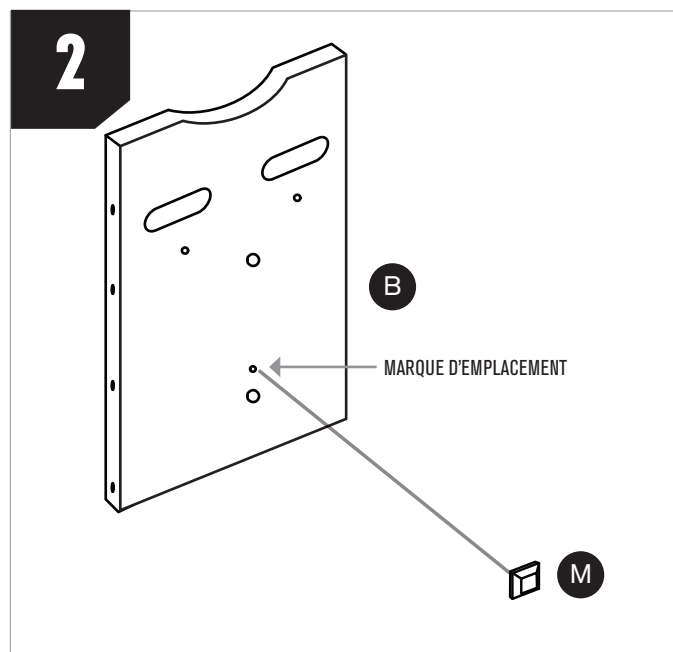


W Vis de la cellule de miroir (x6)

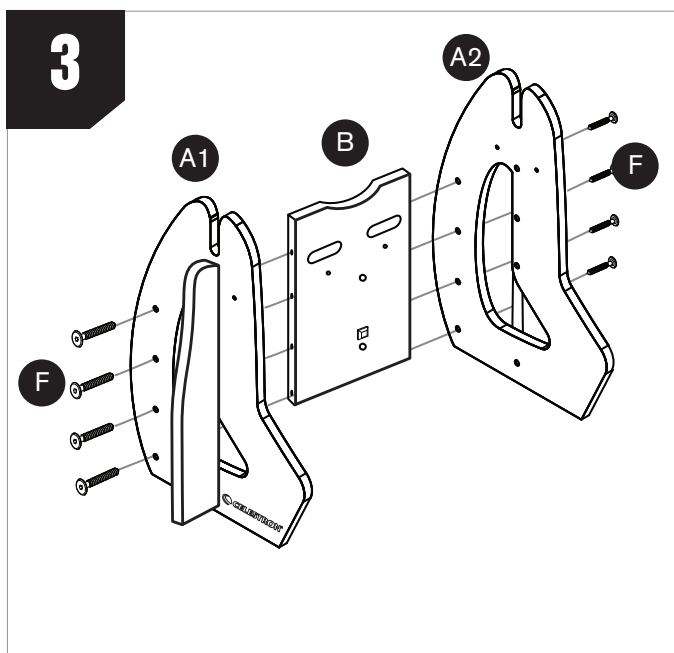
Assemblage



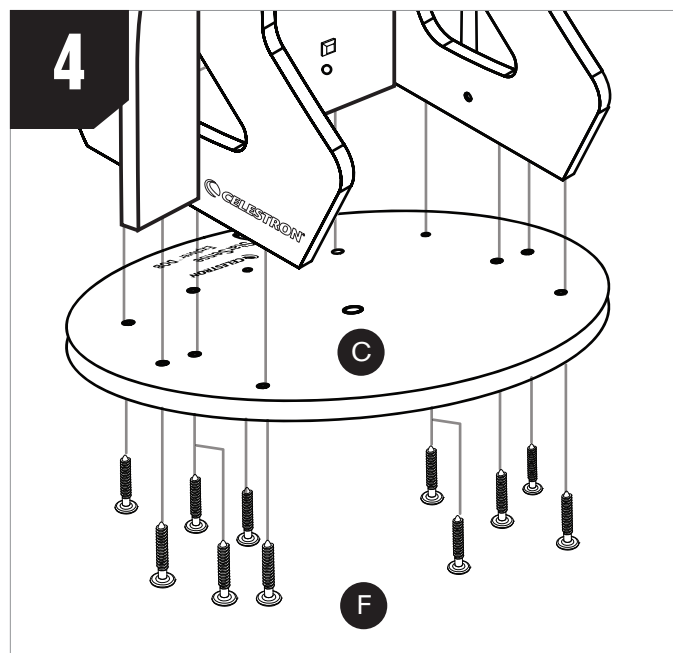
1. Connectez les supports latéraux (E) au panneau latéral gauche (A1) et le panneau latéral droit (A2) avec 8 vis d'assemblage de la base (F). Les supports s'installent du même côté des panneaux que les logos Celestron.



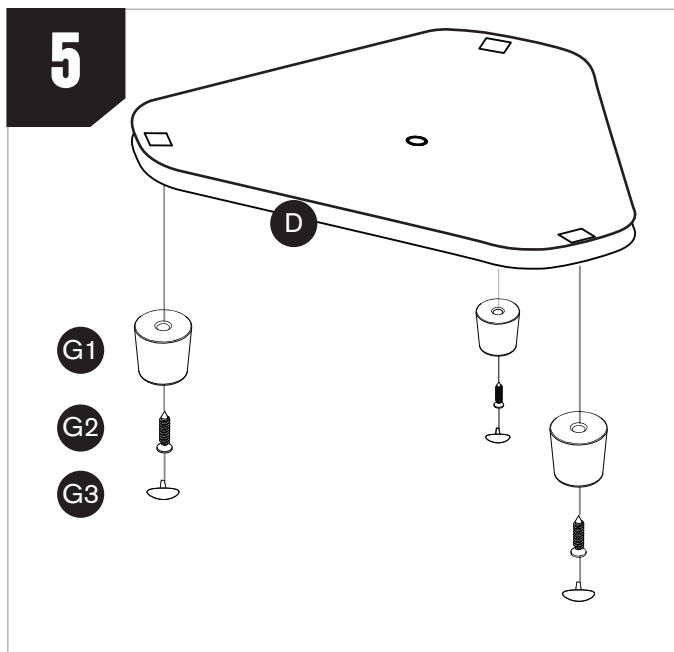
2. Fixez le tampon d'arrêt de caoutchouc (M) sur la surface interne du panneau avant (B). Une petite marque sur le panneau avant indique où positionner le tampon d'arrêt de caoutchouc. Retirez le film adhésif du tampon d'arrêt de caoutchouc et pressez dessus fermement pour le coller.



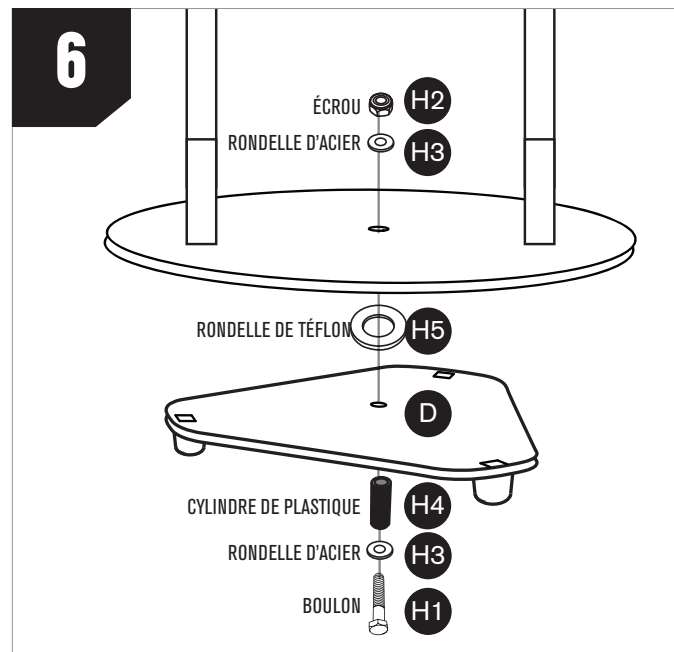
3. Connectez les panneaux latéraux (A1 & A2) au panneau avant (B) avec 8 des vis d'assemblage de la base (F). Assurez-vous que les logos Celestron sur les panneaux latéraux sont orientés vers l'extérieur et que le tampon d'arrêt de caoutchouc est orienté vers l'intérieur.



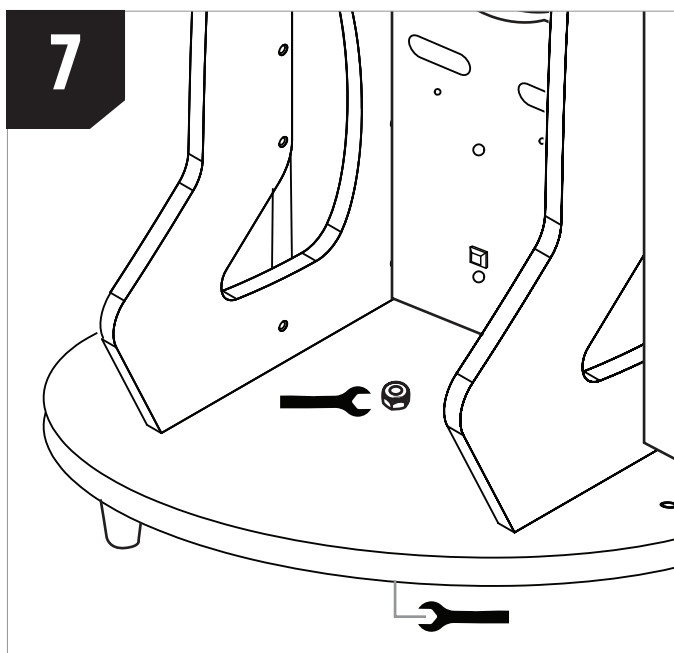
4. Connectez l'assemblage sur la plaque supérieure (C) avec 11 des vis d'assemblage de la base (F). Orientez la plaque supérieure de manière que le logo soit orienté vers le haut.



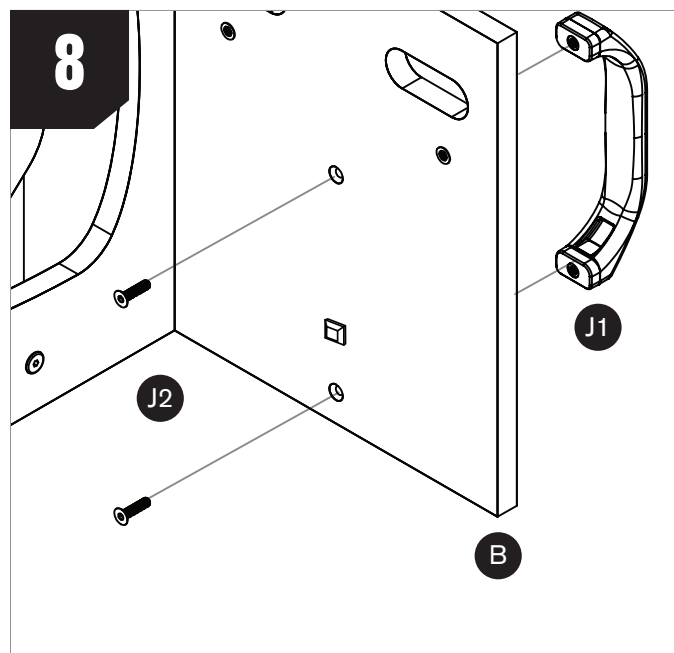
5. Fixez les 3 pieds (G1) à la plaque inférieure (D) à l'aide des vis des 3 pieds (G2). Vissez fermement les vis dans les trou-guides pré-perçés. Une fois installés, enfoncez les cache-vis des pieds (G3) sur les extrémités des pieds.



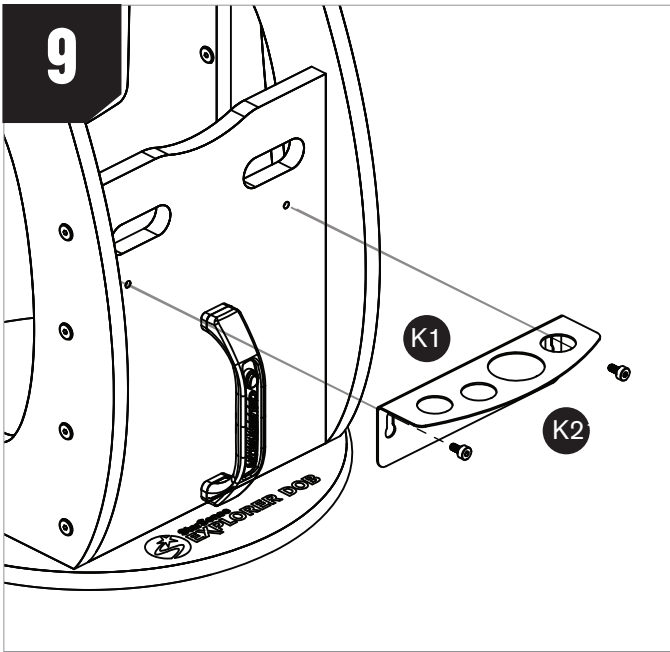
6. Connectez l'ensemble à la plaque inférieure (D). Placez des rondelles en acier (H3) et le cylindre en plastique (H4) sur le boulon (H1). Ensuite, insérez le boulon dans le trou central de la plaque inférieure. Puis, placez la rondelle en Téflon (H5) sur le cylindre en plastique (H4) qui dépasse maintenant de la plaque inférieure. Abaissez la plaque assemblée sur la plaque inférieure de sorte que le cylindre en plastique passe par le trou central de la plaque supérieure. Placez ensuite la rondelle en acier restante (H3) sur l'extrémité du boulon dépassant de la plaque supérieure. Vissez l'écrou (H2) sur le boulon. Passez à l'étape 7 pour trouver des instructions sur comment serrer le boulon.



7. Utilisez les deux clés à molette pour serrer l'écrou sur le boulon. Maintenez la tête du boulon immobile avec l'une des clés à molette en utilisant l'autre clé pour serrer l'écrou. **NE PAS SERRER EXCESSIVEMENT L'ÉCROU!** En appliquant suffisamment de force, vous devriez toujours pouvoir déplacer la rondelle en acier sous l'écrou avec vos doigts. Si la rondelle ne peut pas être déplacée des doigts, desserrez légèrement l'écrou.

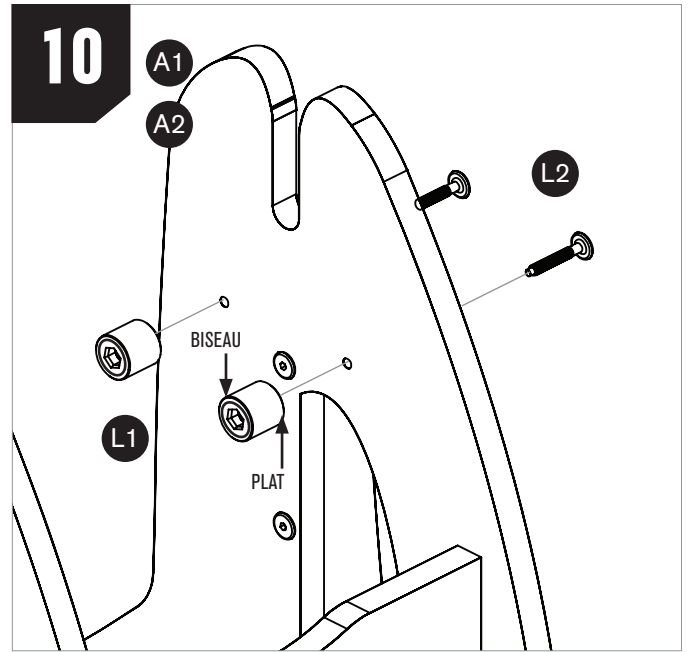


8. Installez la poignée de base (J1) sur l'extérieur du panneau avant (B) à l'aide des 2 vis de poignée (J2).

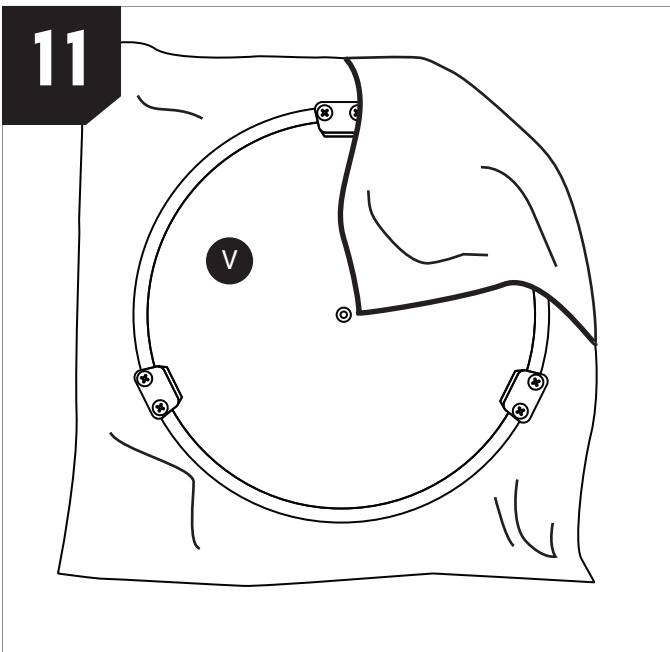


9. Installez les 2 vis du support (**K2**) sur le panneau avant, puis installez le support d'oculaires (**K1**) en insérant la tête de la vis du support dans le trou du support d'oculaire, puis poussez-le vers le bas.

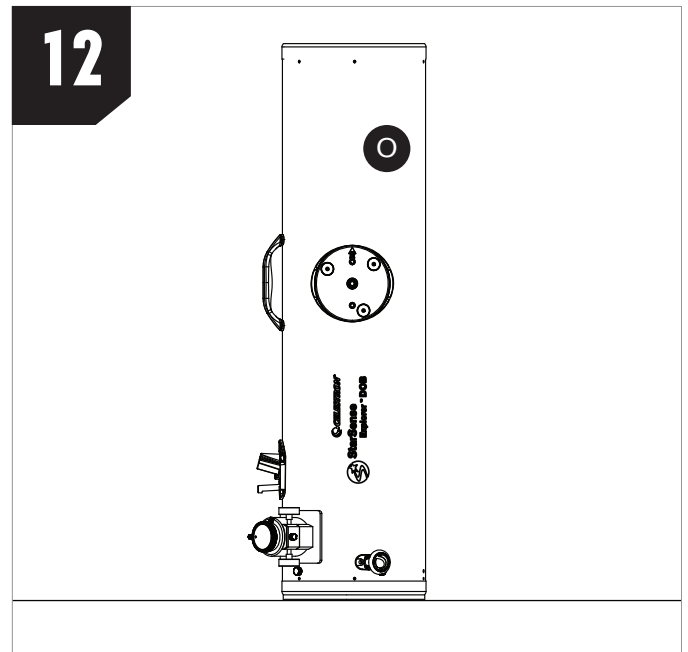
REMARQUE: Si vous souhaitez retirer le support après son installation, tirez-le simplement vers le haut.



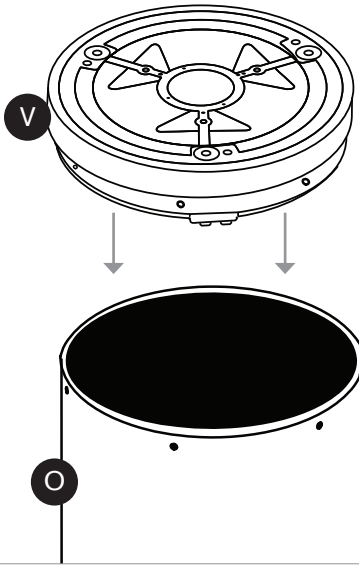
10. Installez les cylindres d'altitude (**L1**) sur les panneaux latéraux gauche et droit (**A1 & A2**) avec les vis d'altitude (**L2**). Les roulements se positionnent sur les surfaces intérieures des panneaux latéraux. L'extrémité plate du roulement, sans biseau, doit être au ras de la surface du panneau.



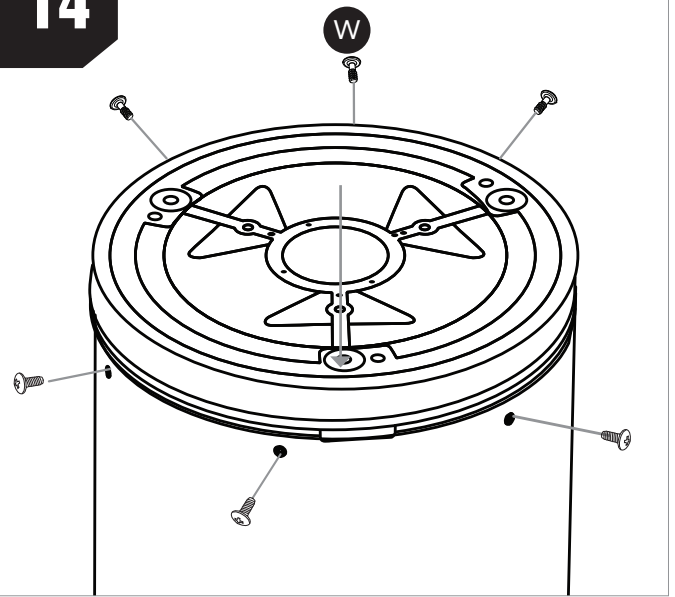
11. Installez la cellule du miroir primaire (**V**) dans l'assemblage du tube optique (**O**). Retirez d'abord le film plastique et le papier de soie qui protègent le miroir primaire pendant le transport.



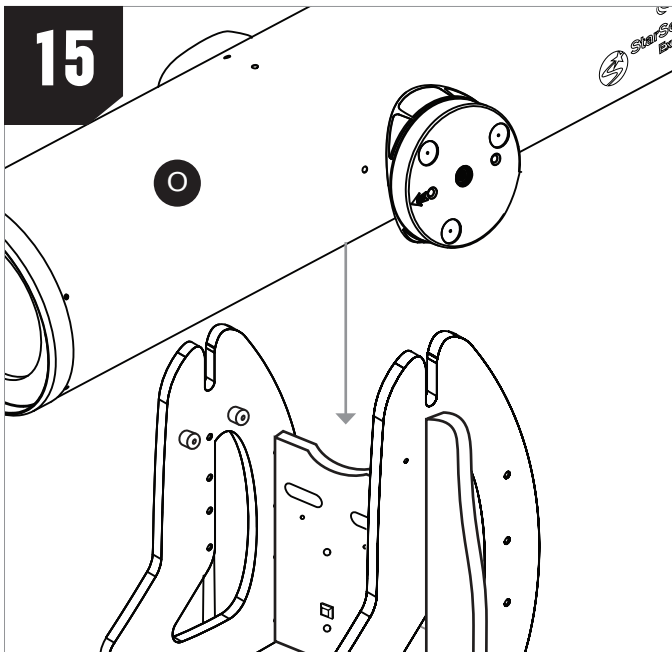
12. Tenez l'assemblage du tube optique (**O**) à la verticale de sorte que l'extrémité avant soit sur le sol et que le bord exposé du bas du tube soit orienté vers le haut.

13

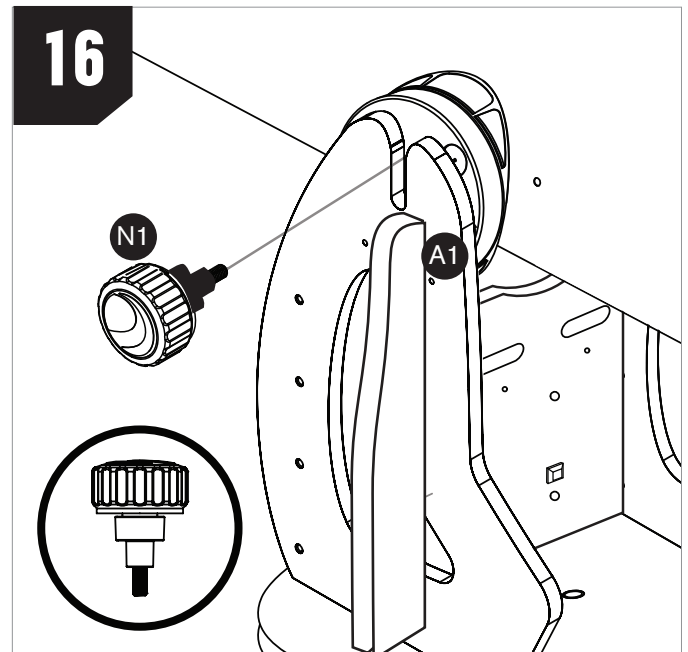
13. Retournez la cellule du miroir primaire (**V**) (c'est-à-dire que le miroir primaire est orienté vers le bas), alignez les trous filetés du pourtour de la cellule du miroir avec les trous positionnés à l'extrémité du tube et placez la cellule du miroir sur le tube .

14

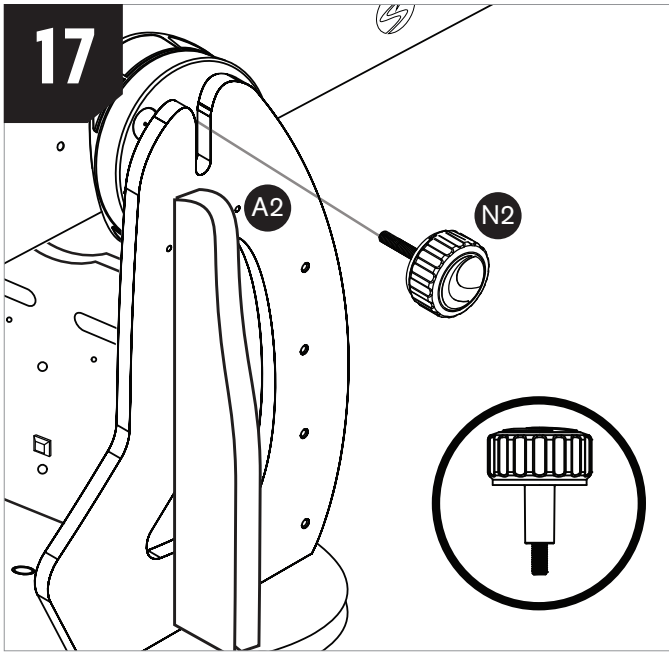
14. Ensuite, insérez les vis de la cellule miroir (**W**) à travers le tube et dans la cellule. Ne serrez pas encore fermement les vis car vous devez peut-être apporter de légers ajustements à la position de la cellule pour aligner précisément les trous. Une fois que toutes les vis sont vissées dans la cellule du miroir, serrez-les fermement en place.

15

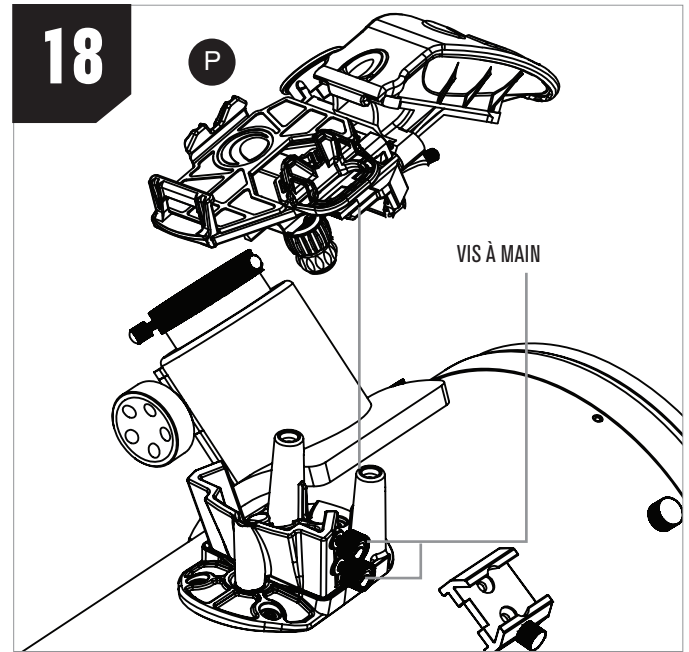
15. Placez l'assemblage du tube optique (**O**) sur la base Dobsonian assemblée. Les moyeux latéraux sur le tube doivent reposer sur les cylindres de roulement d'altitude sur la base.

16

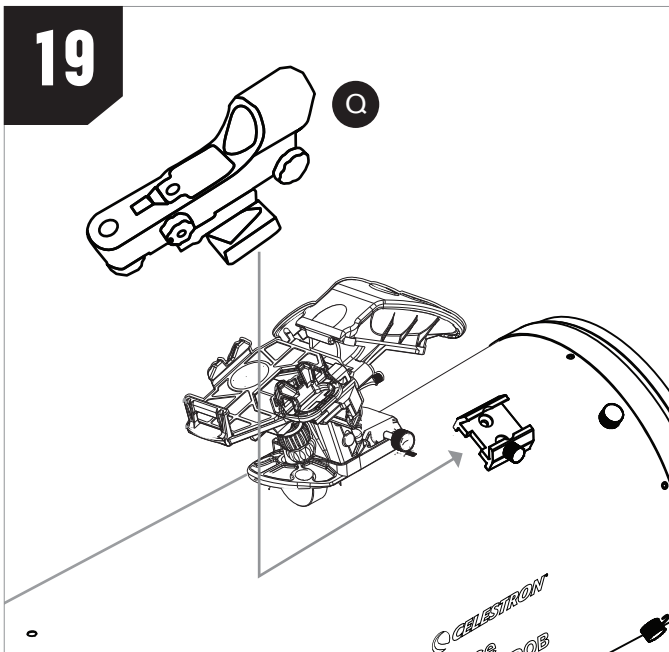
16. Installez la molette de tension d'altitude (**N1**) dans la fente du panneau latéral gauche (**A1**) et dans l'insert fileté au centre du moyeu latéral sur l'ensemble du tube optique. La molette de tension (**N1**) est celle qui comporte la douille étagée sur son axe.



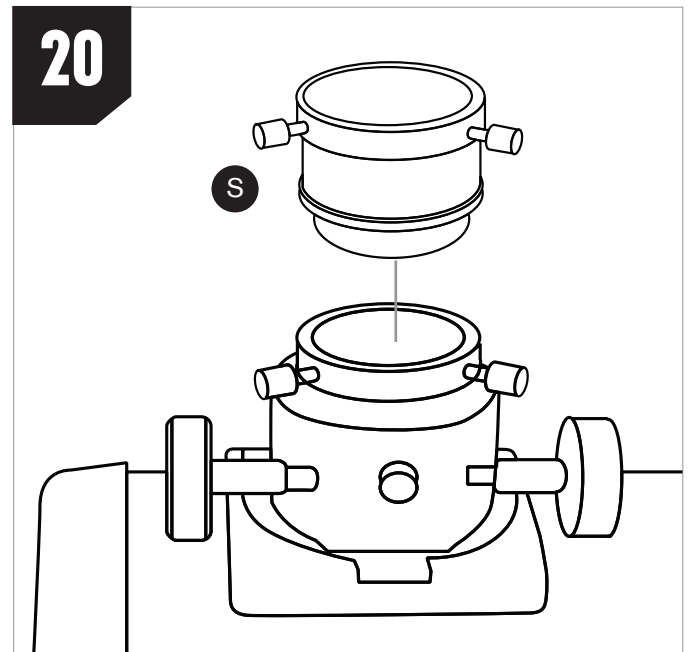
17. Installez la molette décorative (N2) dans la fente du panneau latéral gauche (A2) et dans l'insert fileté au centre du moyeu latéral sur l'ensemble du tube optique. La molette décorative (N2) est celle qui comporte la douille droite sur son axe.



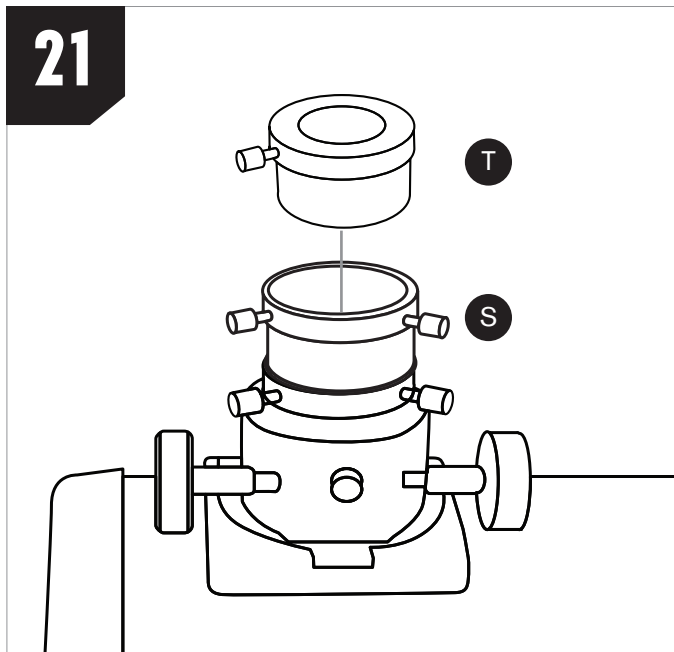
18. Installez la station d'accueil StarSense (P). Pour commencer, desserrez les 2 vis à main sur la base StarSense sur le tube. Insérez la station d'accueil dans la base, puis resserrez les vis à main.



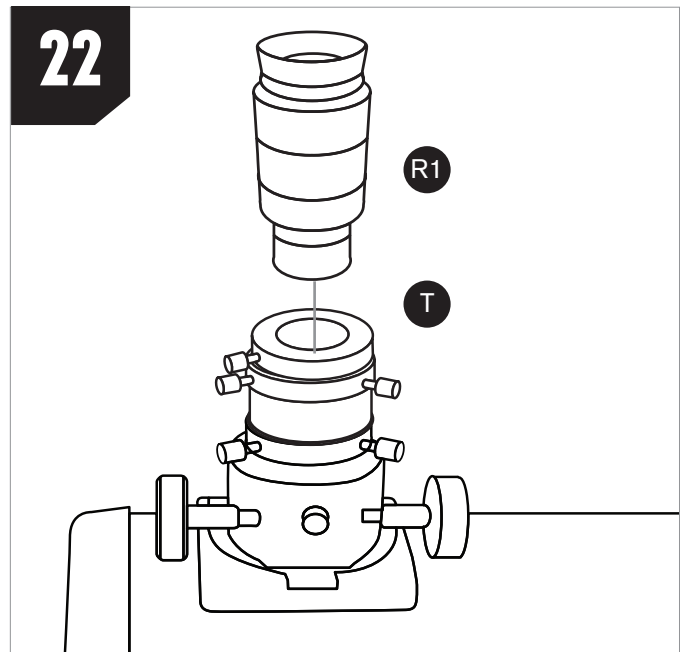
19. Installez le chercheur à point rouge StarPointer (Q) sur l'ensemble du tube optique. Pour commencer, desserrez la vis moletée sur le support du chercheur. Insérez la base de StarPointer dans le support et serrez la vis de fixation.



20. Desserrez les vis à main à l'extrémité du porte-oculaire et insérez le tube d'extension de 2 pouces (S) dans le porte-oculaire. Resserrez les vis à main.



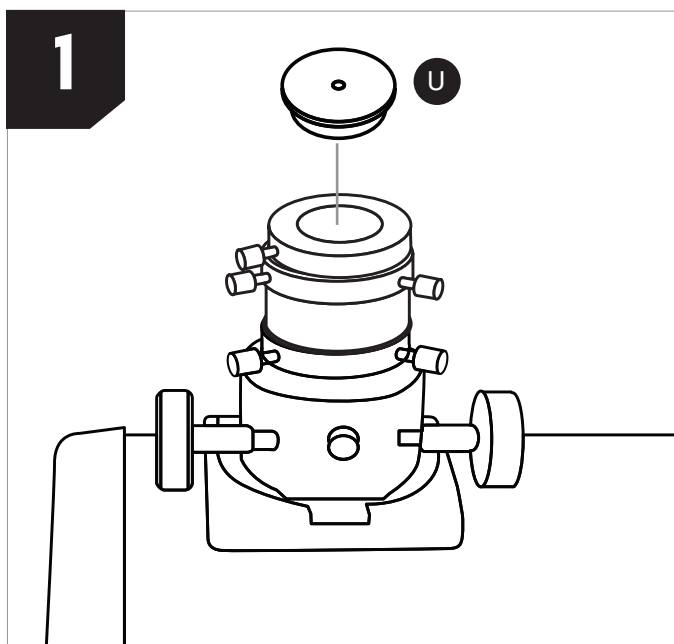
21. Desserrez les vis à main sur le tube d'extension de 2" (S) maintenant installé dans le porte-oculaire et insérez l'adaptateur d'oculaire de 2" à 1,25" (T). Resserrez les vis à main sur le tube d'extension de 2 pouces. L'adaptateur d'oculaire de 2" à 1,25" peut déjà être installé dans le tube d'extension de 2".



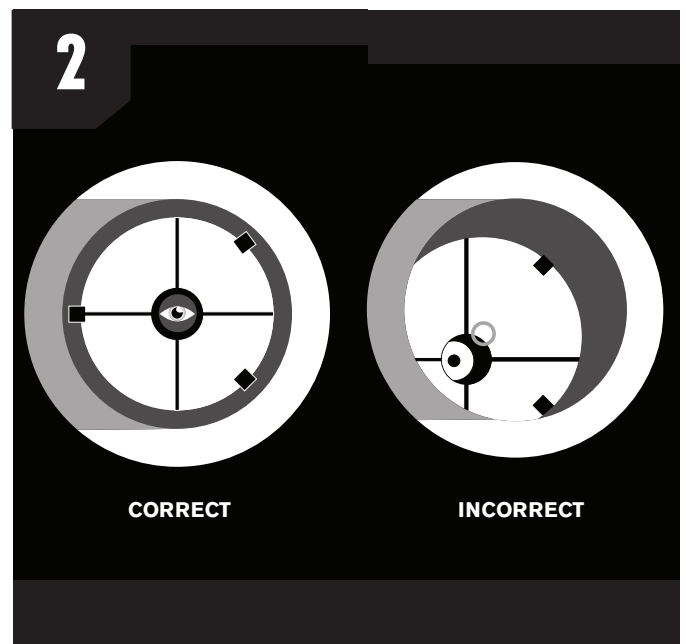
22. Desserrez les vis à main sur l'adaptateur d'oculaire de 2" à 1,25" (T) maintenant installé dans le porte-oculaire, placez l'oculaire Omni Plössl de 32 mm (R1) dans l'adaptateur et resserrez les vis à main sur l'adaptateur.

Collimation des optiques

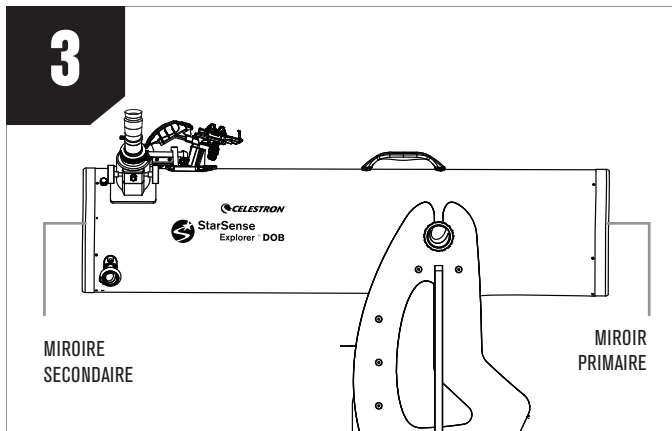
La collimation est le processus d'alignement de l'optique du télescope. Puisque le miroir primaire n'est pas installé en usine dans le tube, nous vous recommandons d'effectuer la collimation des optiques avant votre première soirée d'observation. Il est plus facile d'effectuer la collimation d'un télescope pendant la journée avec le télescope pointé vers un mur blanc. Cela permet d'obtenir une vue à contraste élevé, ce qui facilite la détermination des ajustements à faire. Utilisez la ou les clés hexagonales fournies pour effectuer les réglages.



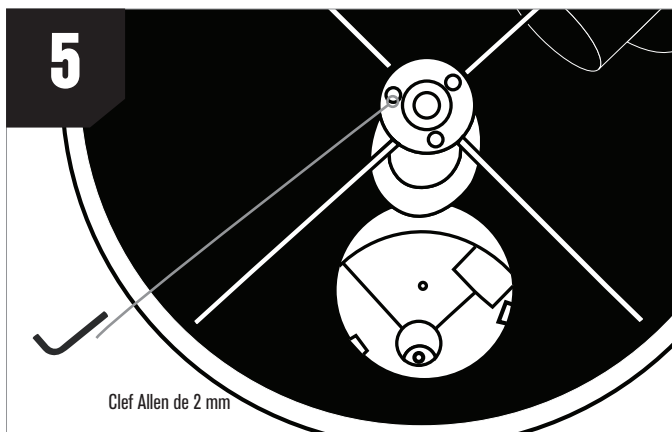
1. Pour vérifier l'alignement des miroirs, retirez d'abord les oculaires. Assurez-vous que l'adaptateur 2" à 1,25" est installé dans le porte-oculaire. Placez ensuite le capuchon de collimation (U) dans le système de mise au point.



2. Regardez par le petit trou au centre du capuchon de collimation. Si ce que vous voyez correspond à la première image, alors la collimation est correcte et vous avez terminé. Si ce que vous voyez correspond à la seconde image, alors vous devez corriger l'alignement du miroir. Continuez à l'étape 3.



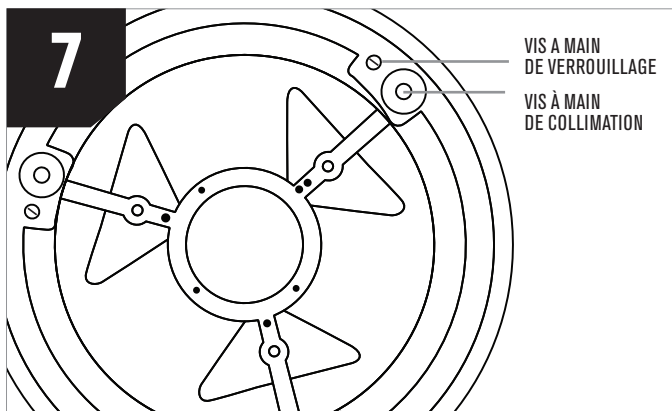
3. Pendant que vous effectuez des ajustements, positionnez le tube à l'horizontale. Cela permet d'éviter qu'un objet tombe sur le miroir primaire.



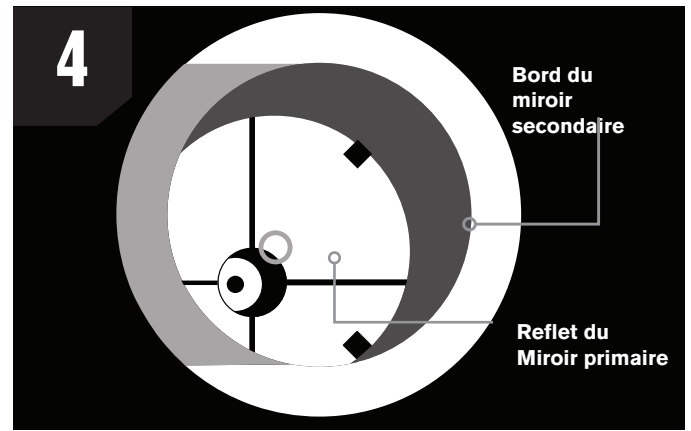
5. Tout d'abord, réglez le miroir secondaire à l'avant du télescope à l'aide de la clé hexagonale de 2mm. Les trois vis à tête creuse de réglage du miroir secondaire permettent de régler l'inclinaison du miroir secondaire.

- a. Ajustez une seule vis de réglage à la fois. Faites seulement de petits ajustements.
- b. Si une vis de réglage devient trop serrée ou trop desserrée, ajuster les autres vis pour compenser.

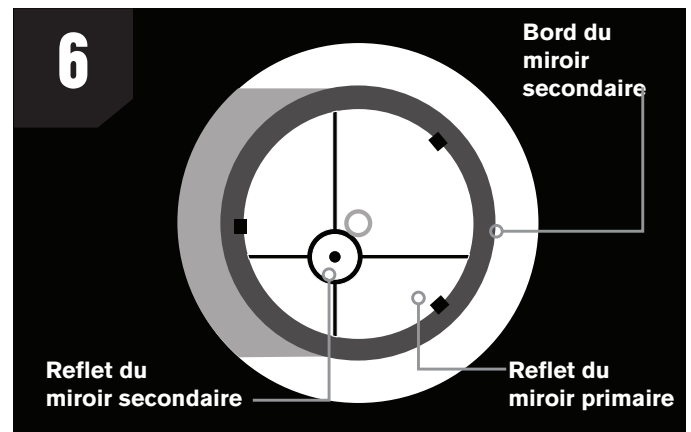
Lorsque vous avez terminé, assurez-vous que les trois vis de réglage sont bien serrées.



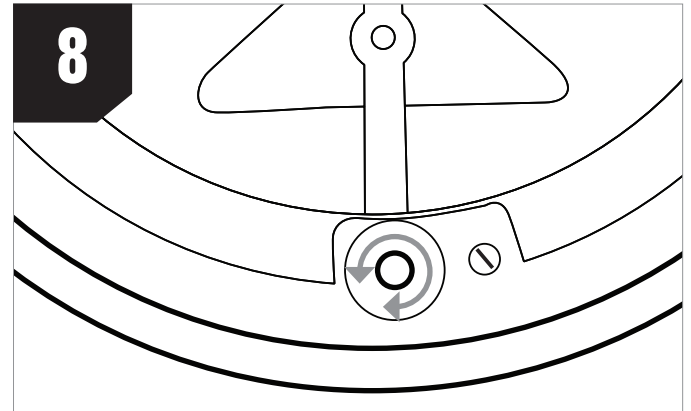
7. Vous n'aurez pas besoin d'outils pour incliner le miroir principal. Vous n'avez qu'à ajuster les vis à main. Les trois plus petites vis à main sont utilisées pour le verrouillage, tandis que les trois plus grosses permettent de régler l'inclinaison. Commencez par desserrer les trois vis à main de verrouillage.



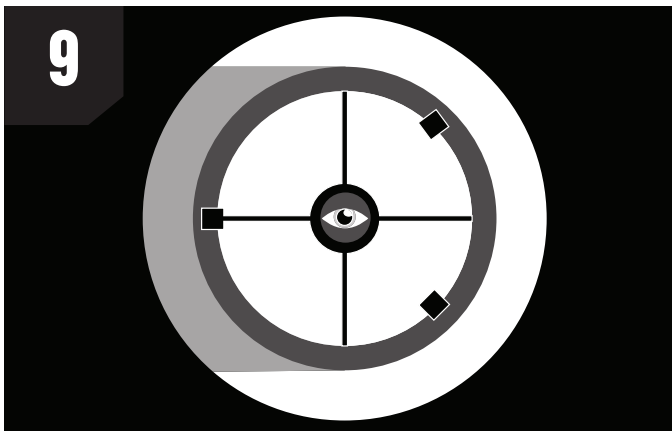
4. Vous devriez être en mesure de voir le reflet de l'ensemble du miroir primaire centré dans le miroir secondaire, comme illustré à la figure 2. Si cela n'est pas le cas, comme illustré ci-dessus, alors le miroir doit être ajusté.



6. Regardez dans le capuchon de collimation encore une fois pour vous assurer que le miroir primaire est centré dans le miroir secondaire comme illustré ci-dessus. Si c'est le cas, alors le miroir secondaire est en collimation correcte. Ensuite, réglez l'inclinaison du miroir primaire jusqu'à ce que le reflet du miroir secondaire soit centré dans le reflet du miroir primaire.



8. Réglez les vis à main de collimation une à la fois. Chaque vis de serrage comporte un ressort, ce qui vous permet de la faire pivoter dans le sens des aiguilles d'une montre ou dans le sens contraire des aiguilles d'une montre.

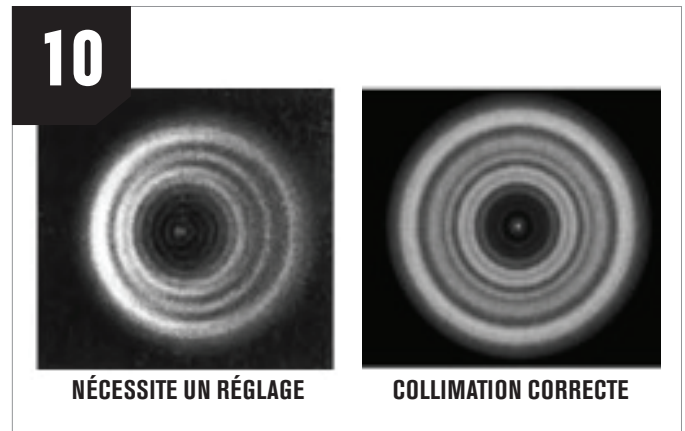


9. Continuez de régler les vis à main de collimation jusqu'à ce que le reflet du miroir secondaire soit centré dans le reflet du miroir principal. Resserrez les trois vis à main de verrouillage jusqu'à ce qu'elles soient bien ajustées. Lorsque vous avez terminé, la vue au travers du capuchon de collimation devrait être comme illustré.

Activer l'application



1. Avant de sortir avec votre télescope, téléchargez l'application StarSense Explorer par SkySafari™ sur votre appareil mobile. Recherchez « Celestron StarSense Explorer » dans l'App Store d'Apple ou sur Google Play. L'application est volumineuse, nous vous recommandons donc de la télécharger connectés au Wi-Fi.
2. Une fois que vous avez téléchargé l'application, munissez-vous de la carte postale orange qui se trouve dans la boîte de votre télescope. Lancez l'application. Lorsque vous y êtes invité, entrez le code d'activation sur la carte postale pour activer l'application. Votre code pourra débloquer jusqu'à 5 appareils.



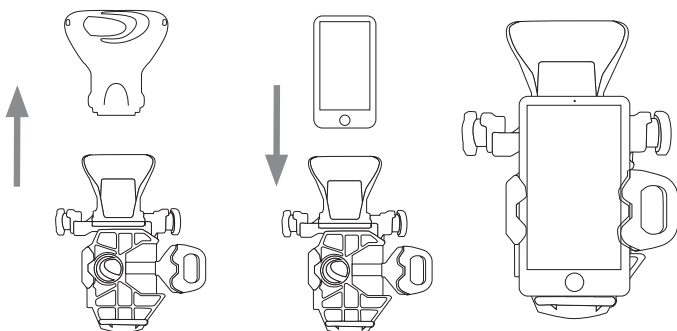
10. Les éléments optiques de votre télescope sont maintenant alignés et prêts à être utilisés. Vous pouvez également confirmer l'alignement d'un télescope de nuit en pointant le télescope vers une étoile lumineuse à un grossissement élevé. Centrez l'étoile dans le champ de vision et réduisez la mise au point sur l'étoile légèrement; elle devrait apparaître comme un cercle avec un trou au milieu. (Le « trou » est l'ombre du miroir secondaire.) Si le trou n'est pas centré dans le cercle, vous devrez effectuer des ajustements supplémentaires pour la collimation.

Orienter le télescope



1. Le télescope Dobsonien de StarSense s'oriente librement en altitude (de haut en bas) et en azimut (de gauche à droite). Déplacez simplement le tube en le poussant dans la direction souhaitée. Vous pouvez utiliser la poignée à boule à l'avant du télescope pour une bonne tenue en main.
2. Si le mouvement d'altitude n'offre pas suffisamment de résistance, ou si le télescope se déplace vers le haut ou vers le bas sans le toucher, serrez le bouton de tension d'altitude. À l'inverse, s'il faut appliquer une grande force pour déplacer le télescope vers le haut ou vers le bas, desserrez le bouton.

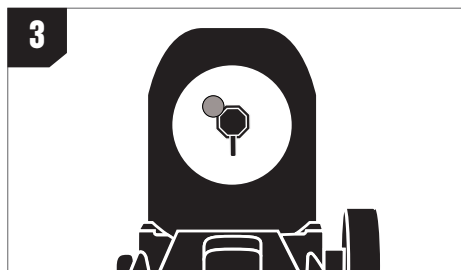
Attacher le téléphone intelligent



1. Retirez le grand cache couvrant le miroir sur le devant du support StarSense.
2. Ouvrez la glissière à ressort située sur le dessus du support de téléphone et installez le téléphone pour qu'il soit à niveau sur le rebord du bas du support de téléphone. Relâchez la glissière en douceur pour maintenir le téléphone en place.

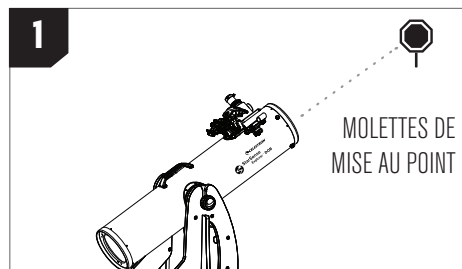
Aligner StarPointer

Le chercheur à point rouge StarPointer est l'un des composants les plus importants de votre télescope. Bien que l'application StarSense Explorer soit capable de localiser et de centrer les objets pour vous, aligner StarPointer correctement vous aidera à aligner le télescope. La première fois que vous assemblez votre télescope, vous devez aligner le chercheur avec le système optique principal du télescope. Il est plus facile d'effectuer cette opération pendant la journée*.



3. REGARDER DANS LE CHERCHEUR

Tirez sur la languette de protection de la pile du StarPointer et activez-le à la luminosité maximale avec la molette On/Off. Regardez dans le StarPointer et localisez le point rouge.



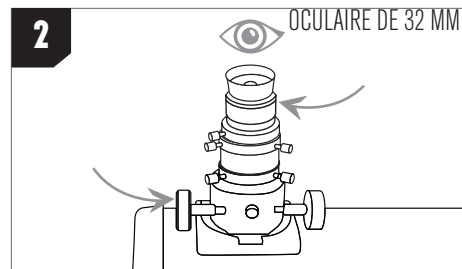
1. CHOISIR UNE CIBLE

Installez le télescope à l'extérieur en journée, et repérez un objet aisément reconnaissable, comme un feu de signalisation, une plaque d'immatriculation ou un panneau. L'objet doit se situer aussi loin que possible, mais à au moins un quart de mile de vous.

*AVERTISSEMENT SUR LE SOLEIL!



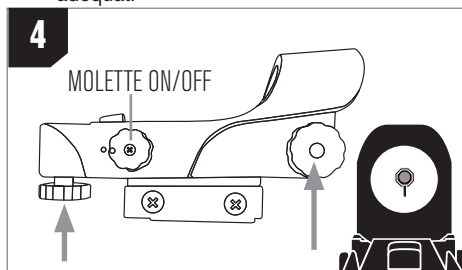
N'essayez jamais d'observer le soleil à l'aide d'un télescope sans utiliser un filtre solaire adéquat.



2. CENTRER LA CIBLE DANS L'OCULAIRE

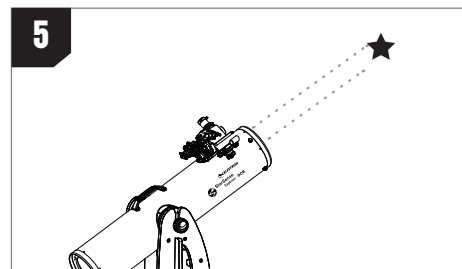
Regardez dans le télescope en utilisant votre oculaire de 32 mm. Déplacez le télescope jusqu'à que l'objet choisi se trouve au centre du champ de vision. Si l'image est floue, faites doucement tourner la molette de mise au point jusqu'à ce que l'image soit nette.

REMARQUE: L'image dans votre télescope apparaîtra probablement inversée. Cela est parfaitement normal pour un télescope astronomique.



4. AJUSTER LE CHERCHEUR

Sans déplacer le télescope, utilisez les deux molettes d'ajustement pour déplacer le chercheur jusqu'à que le point rouge s'aligne sur l'objet observé dans l'oculaire de 32 mm du télescope.



5. VOTRE CHERCHEUR EST MAINTENANT ALIGNÉ!

Il n'aura pas besoin d'être aligné de nouveau tant qu'il n'aura pas subi un choc ou qu'il sera tombé. Maintenant, quand vous regarderez dans le StarPointer, le point rouge indiquera la direction de visée du télescope. N'oubliez pas d'éteindre le point rouge quand vous avez terminé, pour préserver la pile.

Félicitations! Votre télescope est maintenant configuré et vous êtes prêt à explorer le

cosmos. Sortez le télescope, insérez votre oculaire de 32 mm, retirez le cache de lentille, insérez votre téléphone intelligent dans le support et lancez l'application StarSense Explorer. Le guide de l'application vous indiquera les étapes pour trouver votre cible astronomique.

Pour obtenir plus d'informations sur le produit, veuillez visiter la page correspondante du produit sur celestron.com



AVERTISSEMENT SUR LE SOLEIL:

N'essayez jamais d'observer le soleil à l'aide d'un télescope sans utiliser un filtre solaire adéquat.

celestron.com/pages/warranty



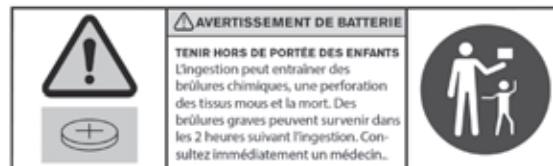
BESOIN D'ASSISTANCE? Contactez le support technique de Celestron celestron.com/pages/technical-support

Le design et les spécifications du produit sont sujettes à modification sans préavis. Ce produit est conçu et prévu pour être utilisé par des personnes âgées de 14 ans et plus.



©2023 Celestron. Celestron et le Symbol sont des marques déposées de Celestron, LLC. Tous droits réservés. Celestron.com • 2835 Columbia Street, Torrance, CA 90503 USA

Fabriqué en Chine | 03- 23



AVERTISSEMENT: GARDER LES PILES HORS DE PORTÉE DES ENFANTS.

- Examinez les appareils et assurez-vous que le compartiment à piles est correctement fixé, par exemple que la vis ou toute autre fixation mécanique est bien serrée.
- Ne pas utiliser si le compartiment n'est pas sécurisé.
- Jetez les piles-bouton immédiatement et en toute sécurité. Les piles vides restent dangereuses.
- Communiquez avec les personnes de votre entourage concernant les risques associés aux piles-bouton et comment assurer la sécurité de leurs enfants.

INSTRUCTIONS DE SÉCURITÉ

- Risque d'explosion si la pile est remplacée par un type incorrect.
- La pile incluse n'est pas rechargeable.
- N'utilisez la pile que de la manière prévue pour éviter les court-circuits. Si un matériau conducteur met directement en contact les pôles positifs et négatifs d'une pile, cela crée un court-circuit.
- N'utilisez pas une pile endommagée.
- Ne stockez pas la pile dans un lieu extrêmement froid ou chaud. Ceci pourrait réduire sa durée de vie.
- Avant de remplacer la pile, consultez le mode d'emploi et faites attention au sens positif et négatif de la pile.
- Ne jetez pas la pile au feu.
- Jetez la pile dans le respect de la réglementation.

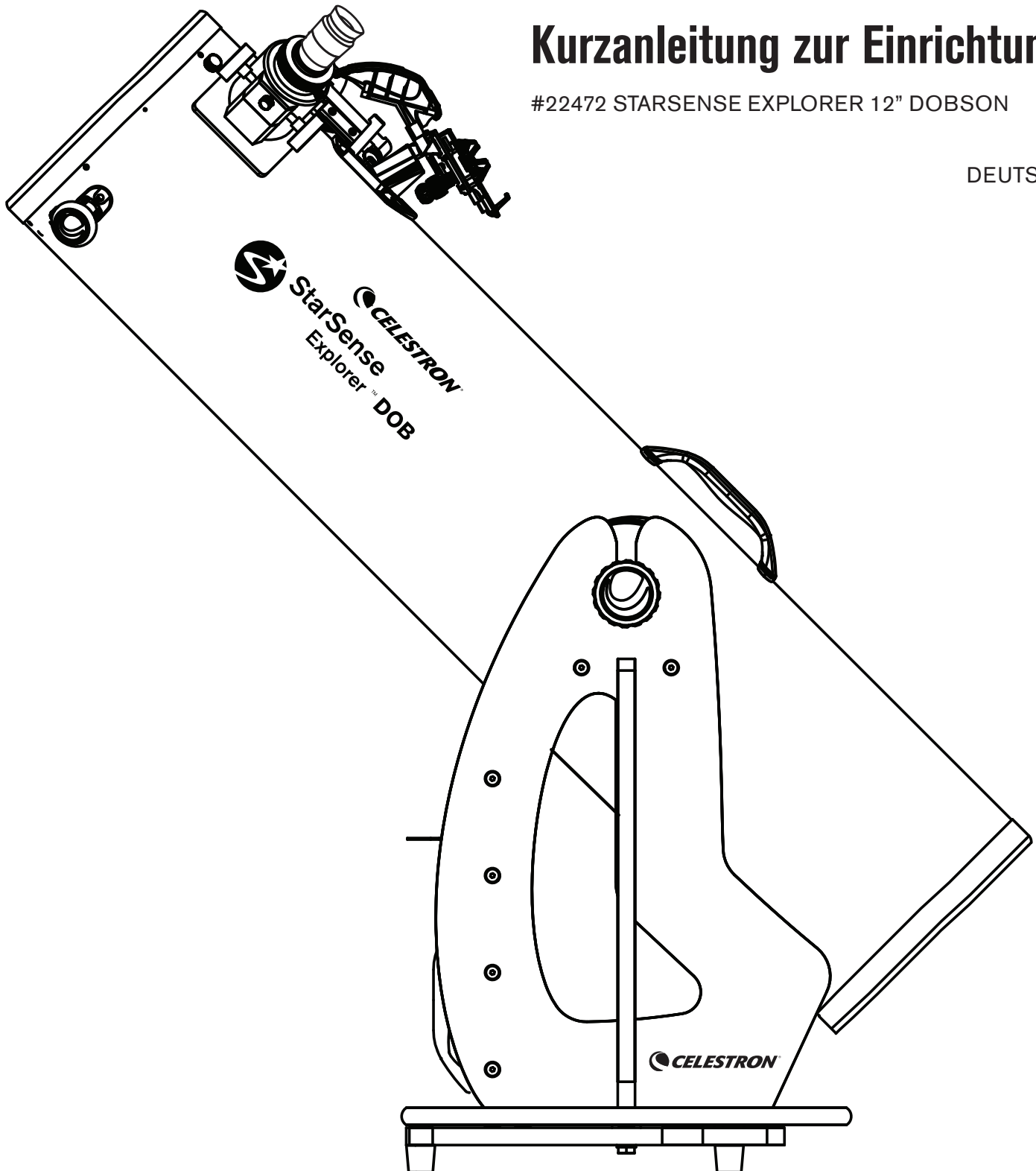


StarSense
Explorer™ DOB

Kurzanleitung zur Einrichtung

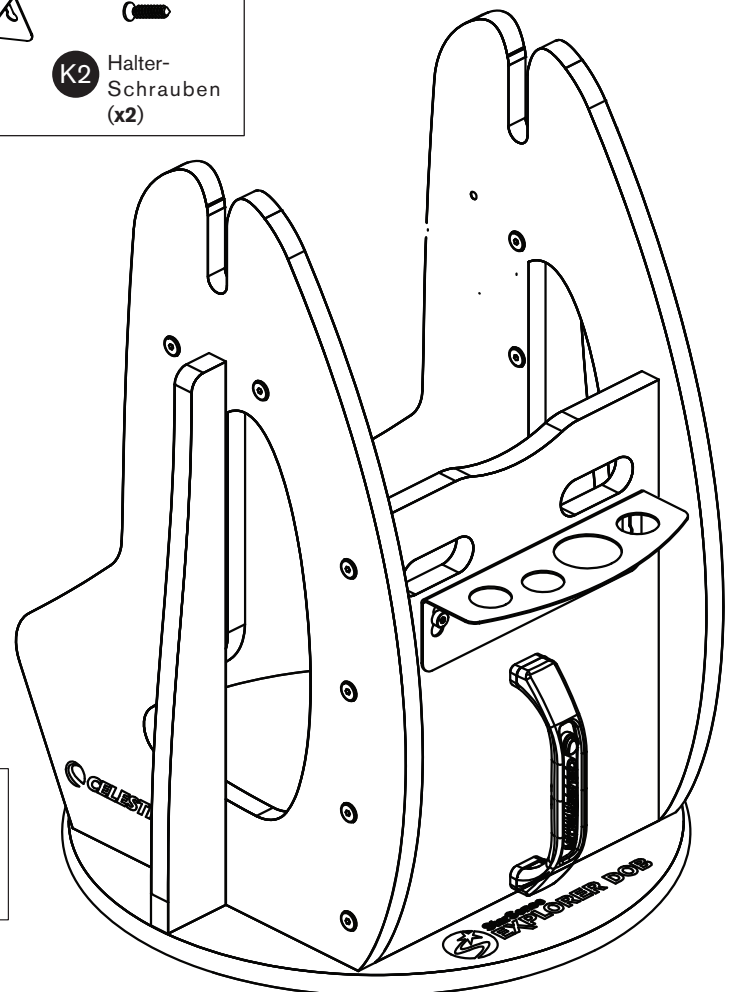
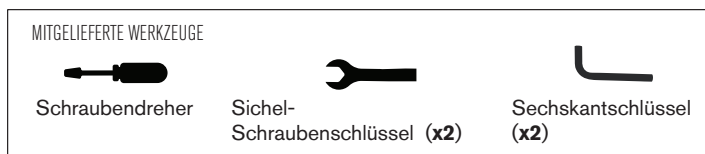
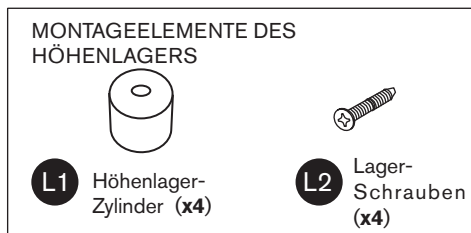
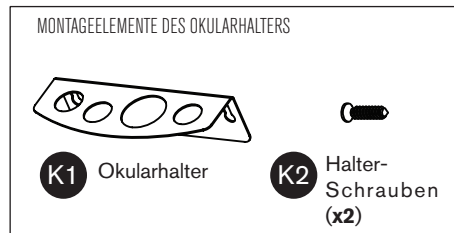
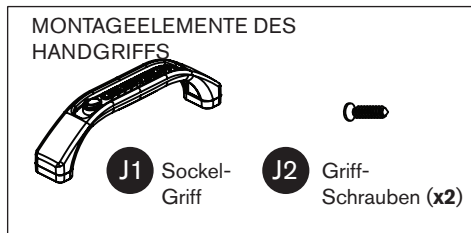
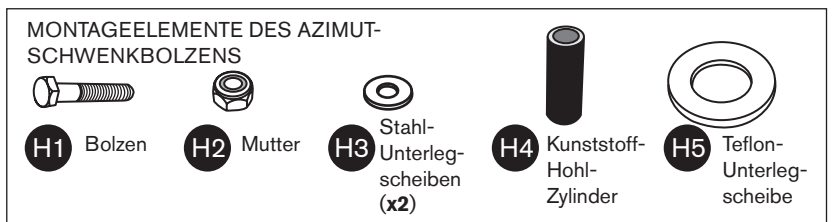
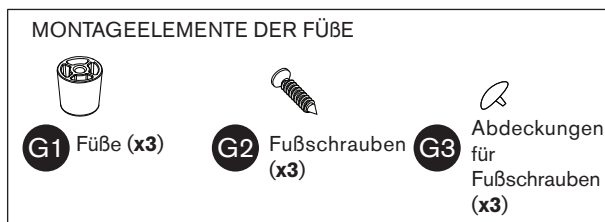
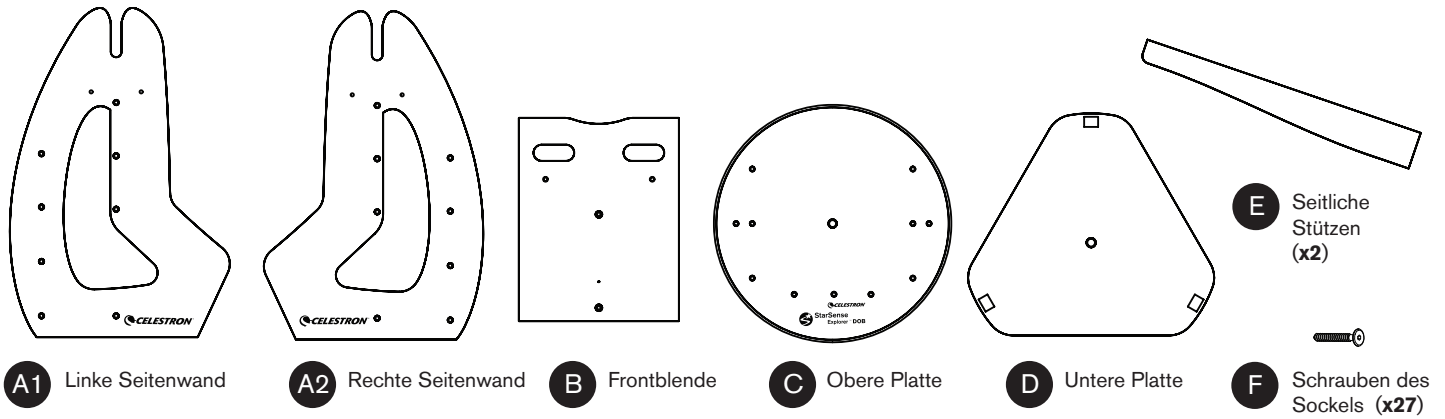
#22472 STARSENSE EXPLORER 12" DOBSON

DEUTSCH

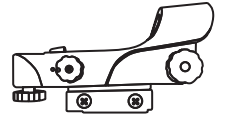
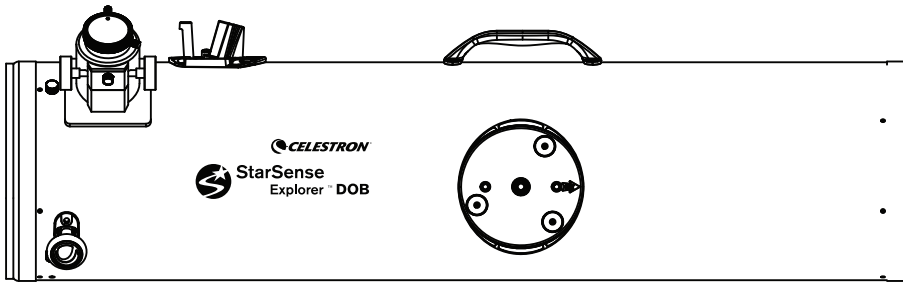


Lieferumfang

Karton 1 – Dobson-Sockel



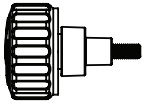
Karton 2 – Optische Tubus-Baugruppe



O Optische Tubus-Baugruppe mit Staubschutzabdeckung

P StarSense-Dock

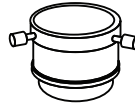
Q StarPointer-Leuchtpunkt-Sucherfernrohr



N1 Höhen-Widerstandsknopf



R1 32-mm-Omni-Plössl-Okular



S 2" Fokussier-Verlängerungstubus



T 2"-auf-1,25"-Okular-Adapter mit 1,25"-Abdeckkappe

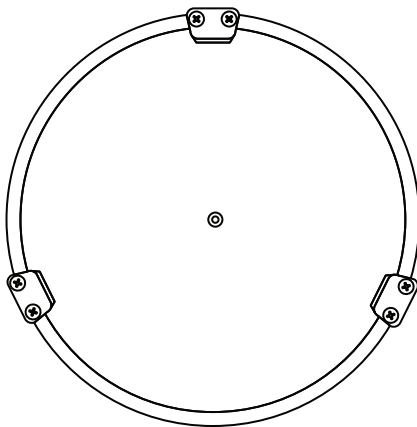


U Kollimationskappe mit 2 mm Sechskantschlüssel

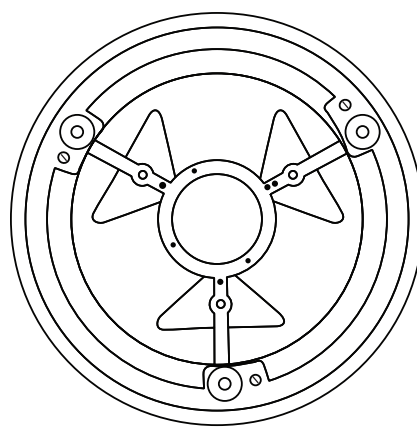
N2 Zierknopf

BOX 3 - Hauptspiegel

VORDERSEITE



RÜCKSEITE

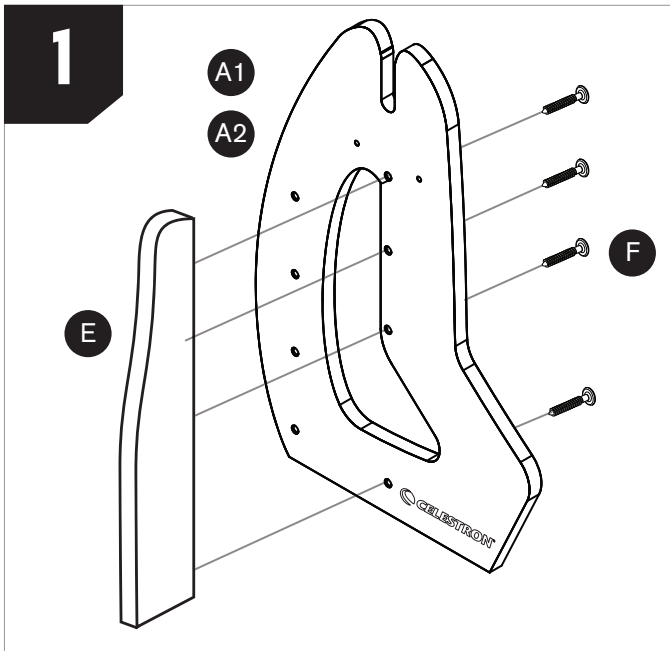


V Hauptspiegel in der Spiegelzelle

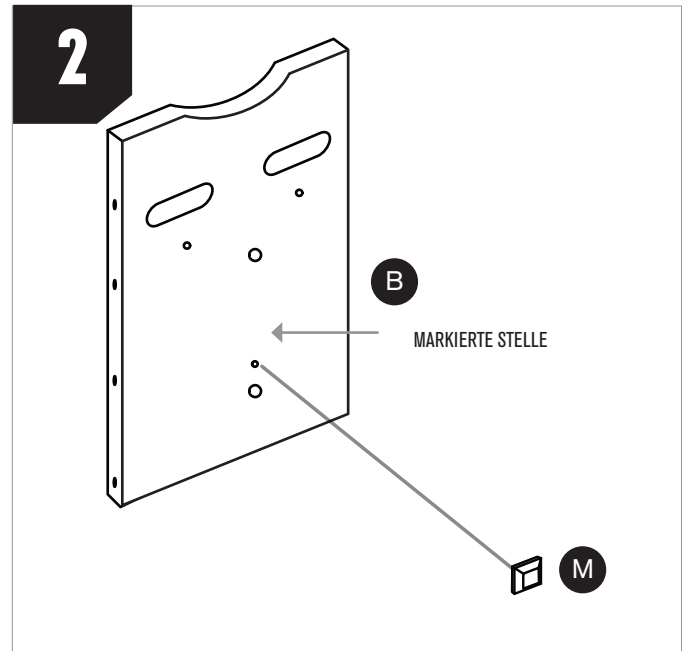


W Schrauben der Spiegelzelle (x6)

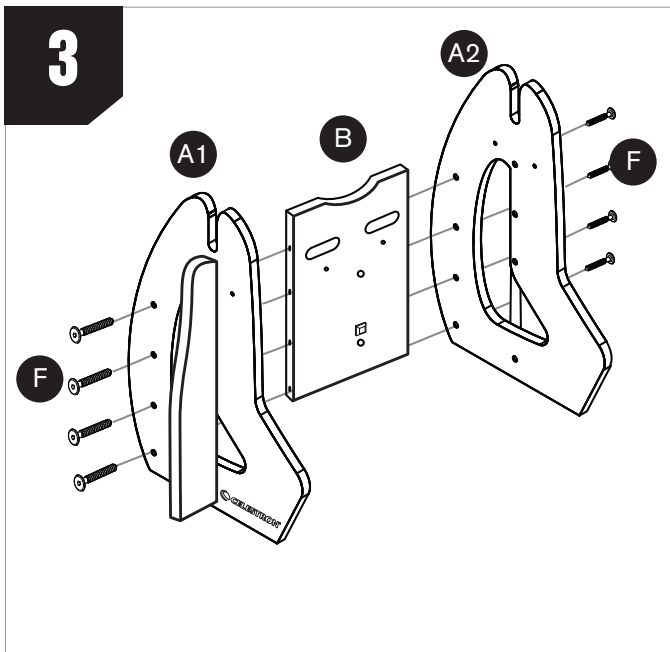
Zusammenbau



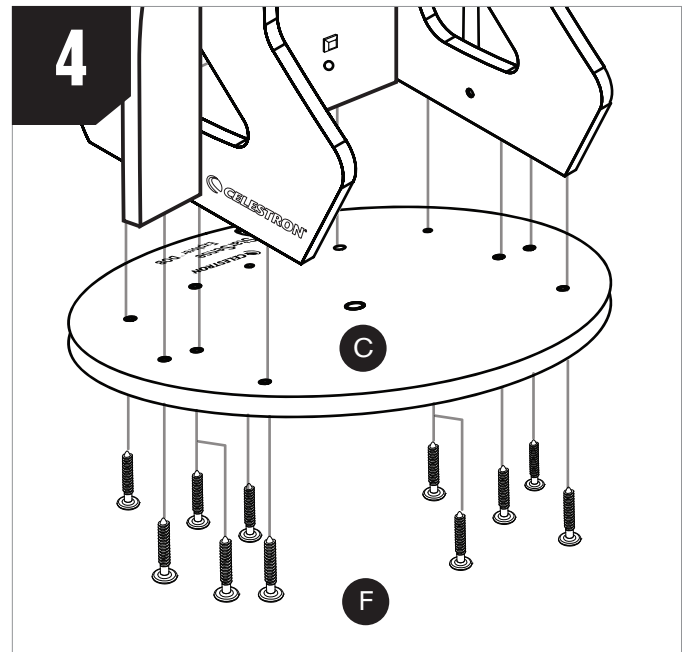
1. Verbinden Sie die seitlichen Stützen (E) mit der linken (A1) und rechten Seitenwand (A2) und verwenden dafür die 8 Schrauben (F) des Sockels. Die Stützen werden auf der gleichen Seite, wo sich die Celestron Logos befinden, angebracht.



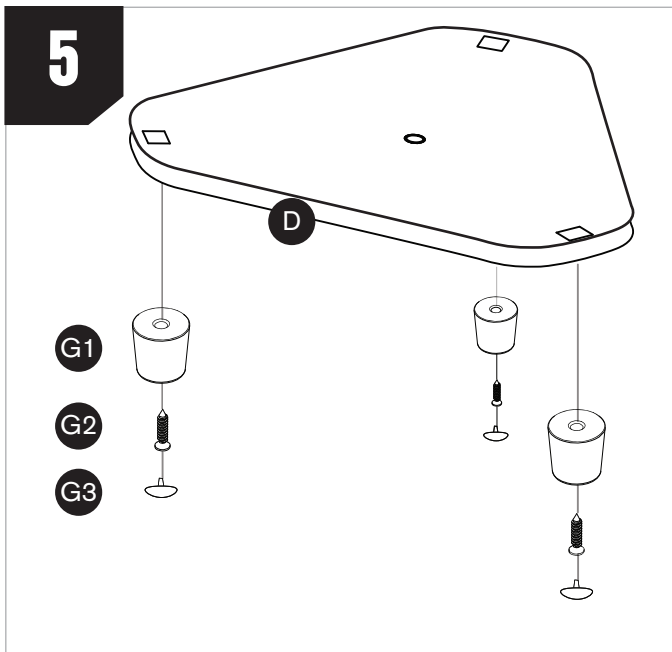
2. Bringen Sie den Gummipuffer (M) an der Innenfläche der Vorderseite (B) an. Auf der Vorderseite befindet sich eine kleine Punktmarkierung, die anzeigt, wo der Gummipuffer angebracht werden muss. Entfernen Sie die Klebefolie vom Gummipuffer und drücken ihn fest auf diese Stelle.



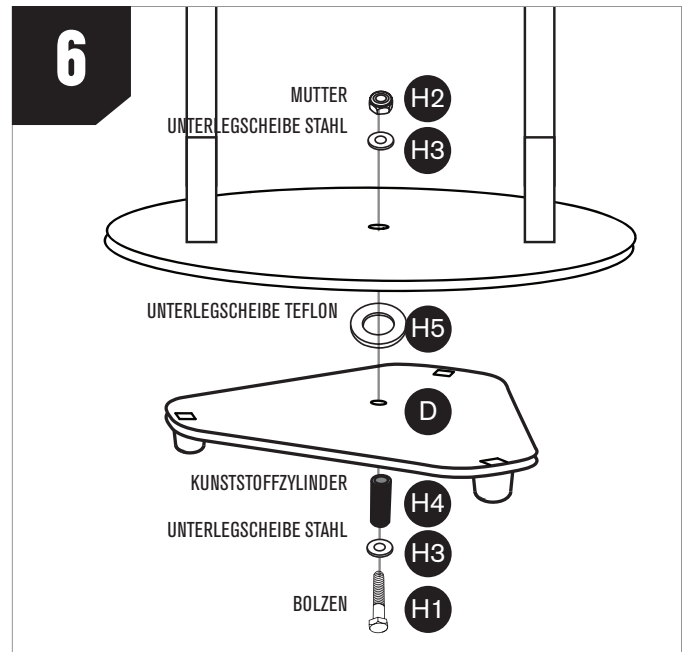
3. Verbinden Sie die Seitenwände (A1 und A2) mit der Vorderseite (B) und verwenden die 8 Schrauben des Sockels (F). Achten Sie darauf, dass die Celestron-Logos auf den Seitenwänden nach außen und der Gummipuffer auf der Vorderseite nach innen zeigen.



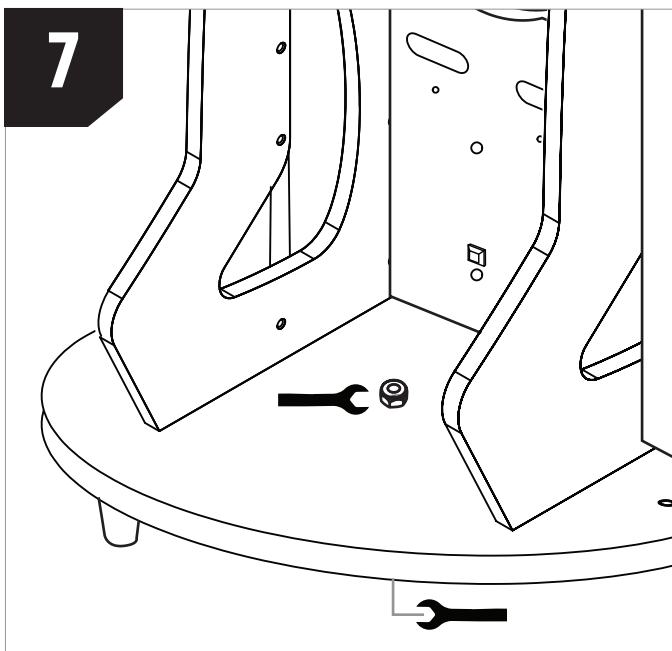
4. Verbinden Sie das bereits Zusammengebaute mit der oberen Platte (C) und verwenden die 11 Schrauben des Sockels (F). Richten Sie die obere Platte so aus, dass die Seite mit dem Logo nach oben zeigt.



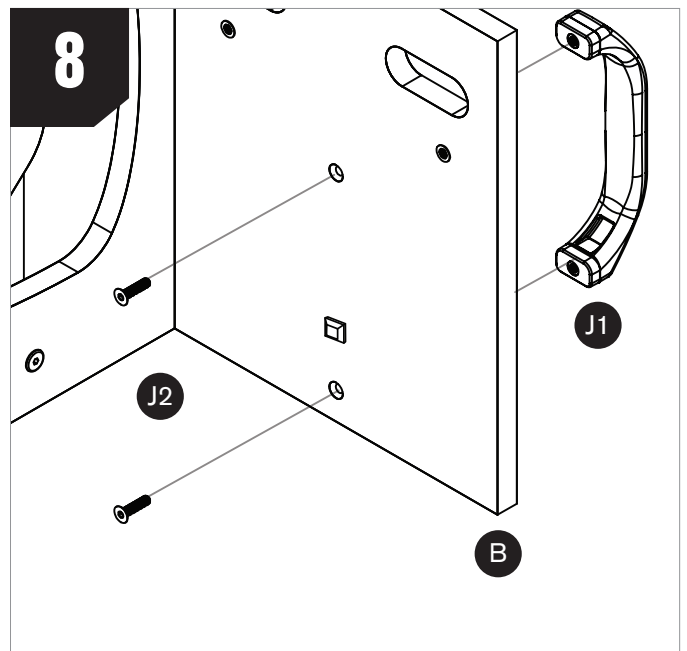
5. Befestigen Sie die 3 FüÙe (G1) mit den 3 Schrauben für die FüÙe (G2) an der unteren Platte (D). Ziehen Sie die Schrauben in den vorgebohrten Löchern fest. Drücken Sie nach dem Festziehen die Schraubenabdeckungen (G3) auf die Fußunterseite.



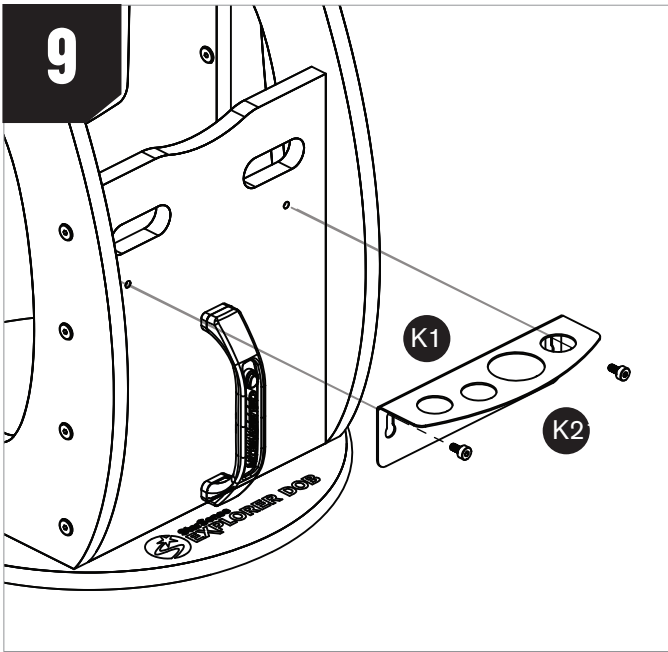
6. Verbinden Sie das Zusammengebaute mit der unteren Platte (D). Stecken Sie eine Stahl-Unterlegscheibe (H3) und den Kunststoffzylinder (H4) auf den Bolzen (H1). Führen Sie dann den Bolzen durch das Loch in der Mitte in der unteren Platte. Legen Sie dann die Teflon-Unterlegscheibe (H5) über den Kunststoffzylinder (H4), der jetzt aus der unteren Platte ragt. Nehmen Sie den zusammengebauten Sockel und setzen ihn auf die untere Platte, sodass der Kunststoffzylinder durch das Loch in der Mitte der oberen Platte geht. Setzen Sie nun die verbleibende Stahl-Unterlegscheibe (H3) auf die Schraube, die aus der oberen Platte ragt. Schrauben Sie die Schraube mit der Mutter (H2) fest. Gehen Sie zu Schritt 7 für die Anweisungen zum Anziehen der Schraube.



7. Verwenden Sie die beiden Gabelschlüssel, um die Mutter auf dem Bolzen festzuziehen. Halten Sie den Schraubenkopf mit einem Gabelschlüssel fest, während Sie mit dem anderen Gabelschlüssel die Mutter festziehen. **ZIEHEN SIE DIE SCHRAUBEN NICHT ZU FEST AN!** Mit wenig Kraft sollten Sie die Stahl-Unterlegscheibe mit den Fingern unter der Mutter bewegen können. Lösen Sie die Mutter etwas, wenn sich die Unterlegscheibe nicht mit den Fingern bewegen lässt.

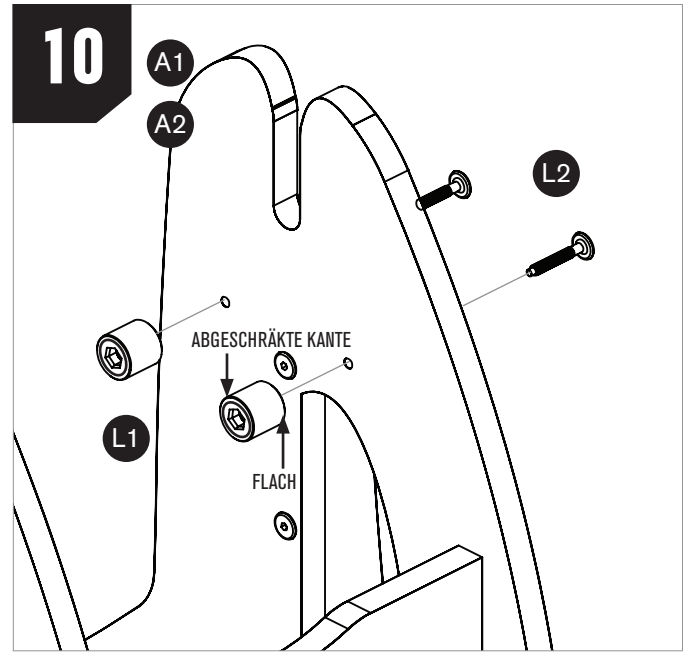


8. Bringen Sie den Griff (J1) am Sockel an der Außenseite vorne (B) mit den 2 Schrauben für den Griff (J2) an.

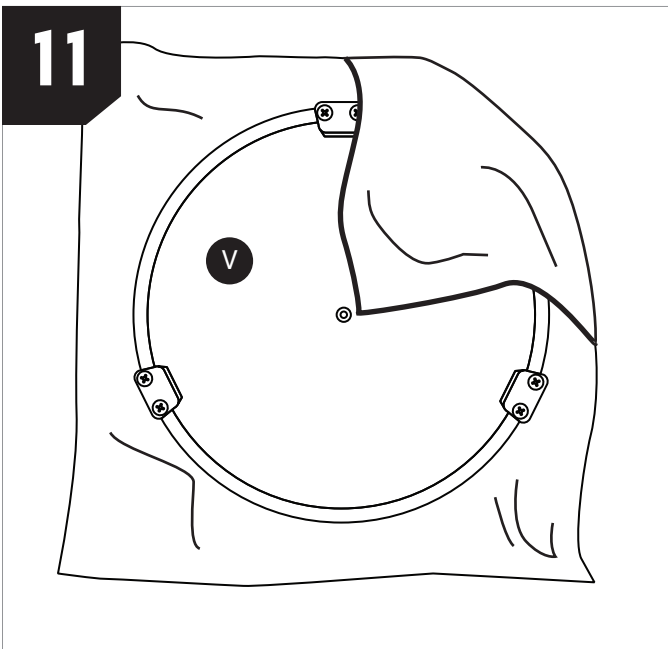


9. Bringen Sie die 2 Schrauben (**K2**) für den Halter an der Vorderseite an, befestigen Sie dann den Okularhalter (**K1**), indem Sie den Kopf der Schraube durch die Öffnung im Okularhalter stecken und den Halter dann nach unten drücken.

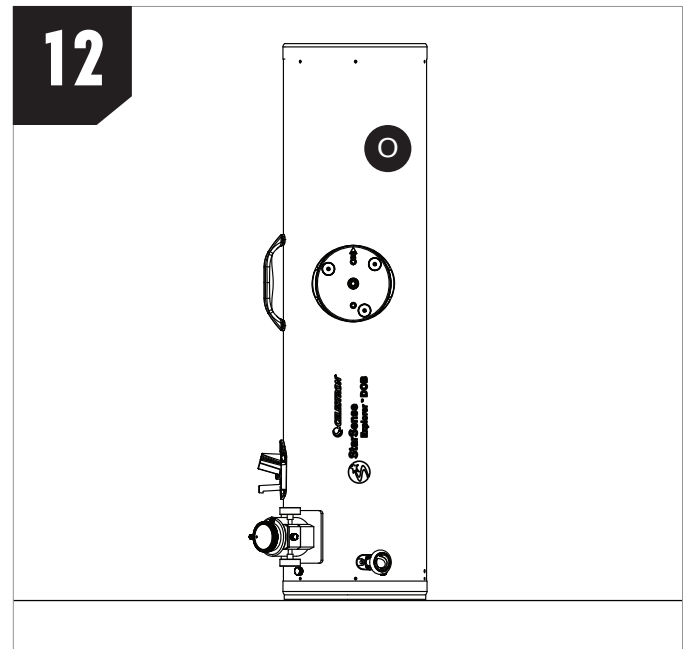
HINWEIS: Wenn Sie den Okularhalter wieder entfernen möchten, ziehen Sie ihn einfach nach oben.



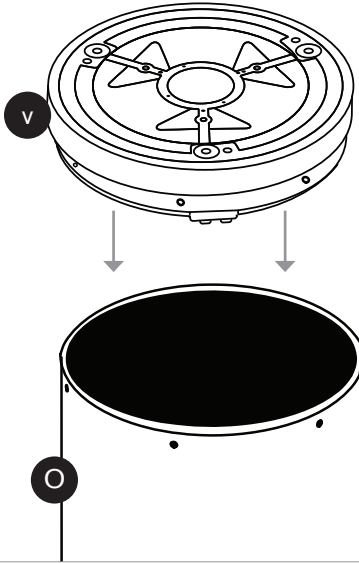
10. Befestigen Sie die Höhenlagerzylinder (**L1**) mit den Lagerschrauben (**L2**) an der linken und rechten Seitenwand (**A1** und **A2**). Die Lager gehen auf die Innenflächen der Seitenwände. Das flache Ende des Lagers – ohne Abschrägung – sollte mit der Oberfläche der Seitenwand bündig sein.



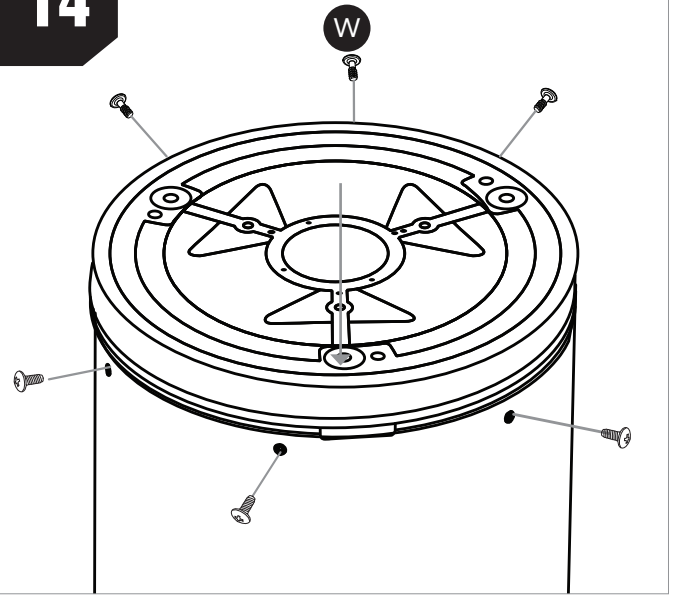
11. Befestigen Sie die Hauptspiegelzelle (**V**) im optischen Tubus (**O**). Entfernen Sie zuerst die Plastikfolie und das Seidenpapier, die den Hauptspiegel während des Transports schützen.



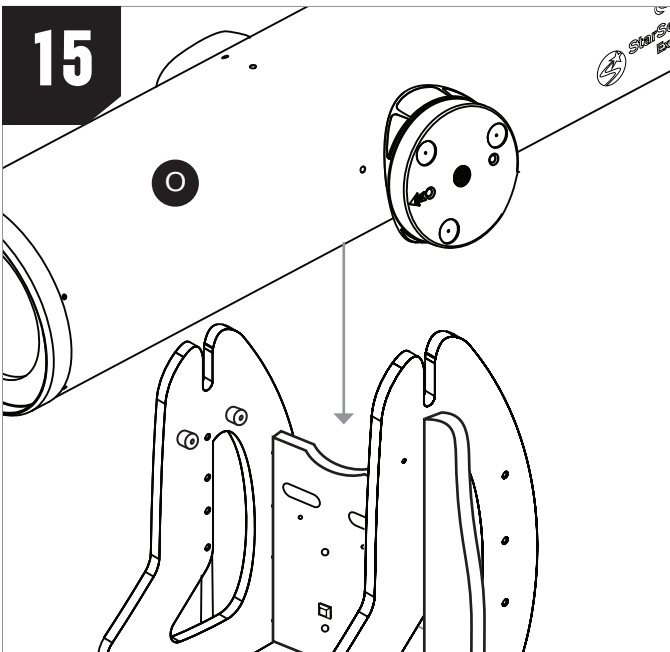
12. Stellen Sie den optischen Tubus (**O**) senkrecht auf, sodass das Vorderteil auf dem Boden liegt und der freiliegende Rand der Unterseite des Tubus nach oben zeigt.

13

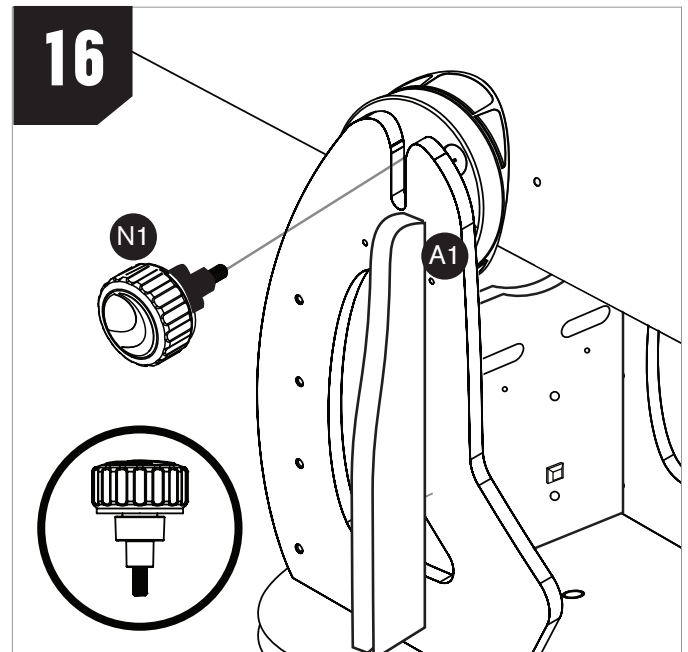
13. Drehen Sie die Hauptspiegelzelle auf den Kopf **(V)** (d. h. so, dass der Hauptspiegel nach unten zeigt), richten Sie die Gewindelöcher im Umfang der Spiegelzelle nach den Durchgangslöchern am Ende des Tubus aus und setzen die Spiegelzelle auf den Tubus.

14

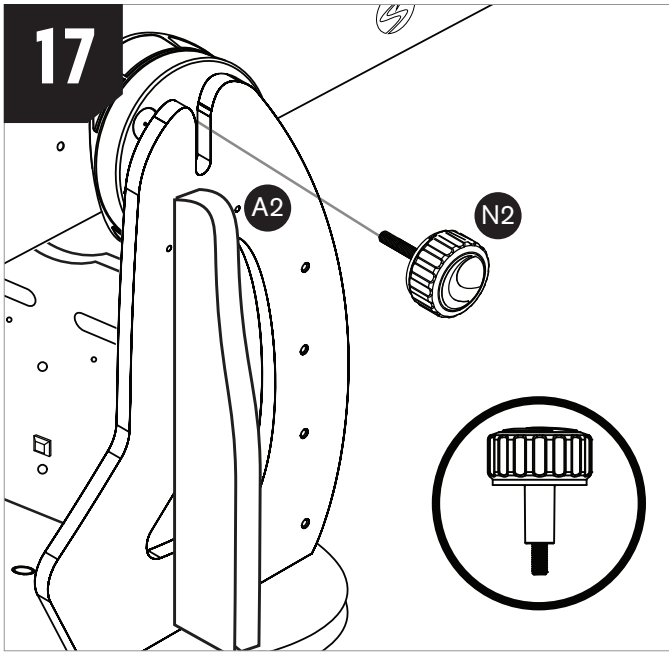
14. Befestigen Sie als nächstes die Schrauben der Spiegelzelle **(W)** durch den Tubus und in die Zelle. Ziehen Sie die Schrauben noch nicht fest an, da Sie möglicherweise geringfügige Anpassungen an der Position der Zelle vornehmen müssen, um die Löcher genau auszurichten. Sobald alle Schrauben in die Spiegelzelle eingeschraubt sind, ziehen Sie sie fest an.

15

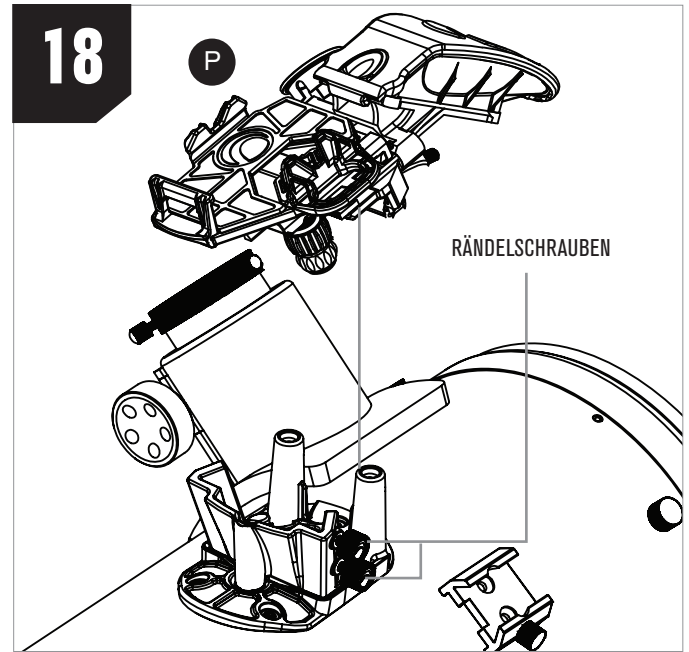
15. Setzen Sie den optischen Tubus **(O)** auf den zusammengebauten Dobson-Sockel. Die Seitennaben am Tubus sollten auf den Höhenlagerzylindern am Sockel sitzen.

16

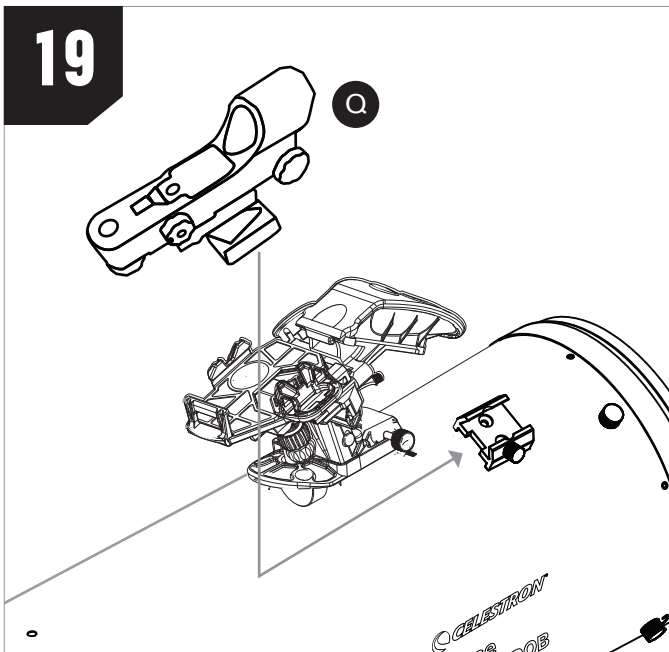
16. Installieren Sie den Knopf zur Höheneinstellung **(N1)** durch den Schlitz in der linken Seitenwand **(A1)** und in den Gewindeeinsatz in der Mitte der Seitennabe am optischen Tubus. Der Einstellknopf **(N1)** für die Höhe ist der mit der abgestuften Buchse auf der Welle.



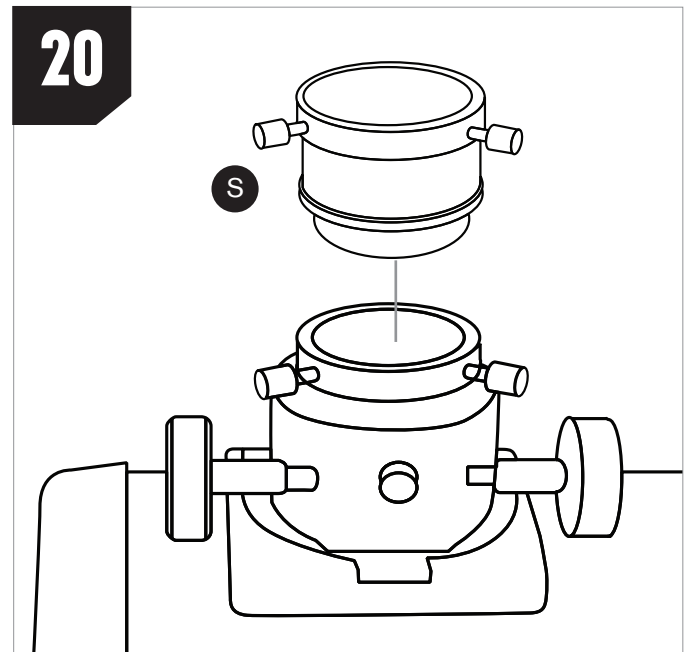
17. Installieren Sie den Kosmetischen-Knopf (**N2**) durch den Schlitz in der rechten Seitenwand (**A2**) und in den Gewindeeinsatz in der Mitte der Seitennabe am optischen Tubus. Der Kosmetische Knopf (**N2**) ist der mit der abgestuften Buchse auf der Welle.



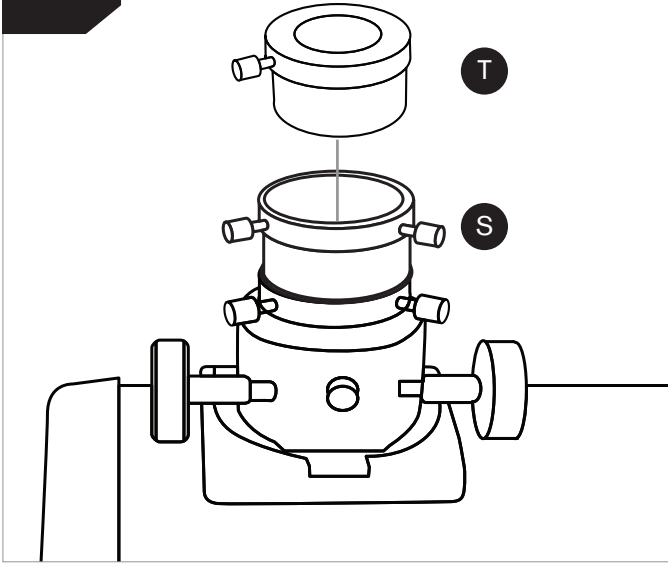
18. Das StarSense-Dock (**P**) einbauen. Lösen Sie zuerst die 2 Rändelschrauben an der StarSense-Basis am Tubus. Setzen Sie das Dock in die Basis ein und ziehen dann die Rändelschrauben wieder fest.



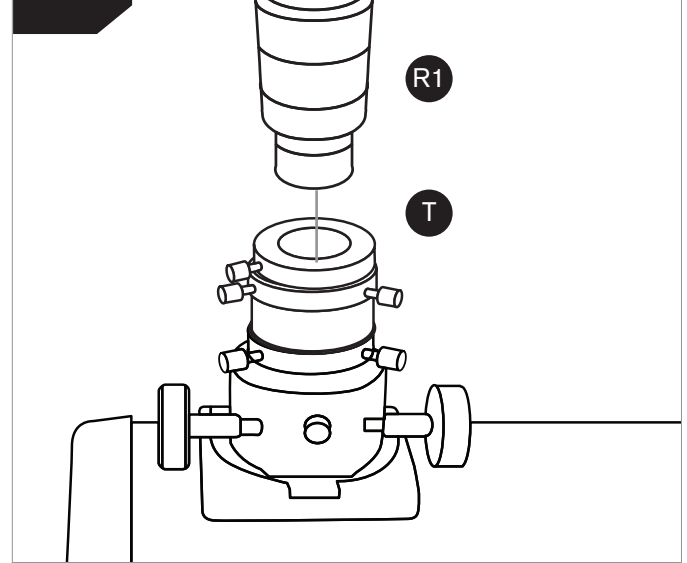
19. Installieren Sie den StarPointer Sucher mit rotem Punkt (**Q**) auf dem optischen Tubus. Lösen Sie zuerst die Rändelschraube am Sucherfernrohrhalter. Stecken Sie den Sockel des StarPointer in die Halterung und ziehen Sie die Rändelschraube fest.



20. Lösen Sie die Rändelschrauben am Ende des Fokussierers und führen das 2-Zoll-Verlängerungsrohr (**S**) in den Fokussierer ein. Ziehen Sie die Rändelschrauben wieder fest.

21

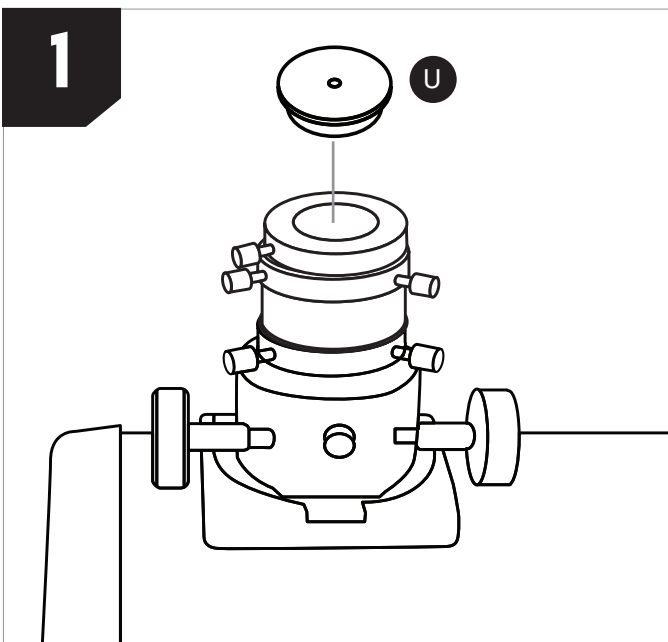
21. Lösen Sie die Rändelschrauben am 2-Zoll-Verlängerungsrohr (S), das jetzt im Fokussierer installiert ist, und setzen Sie den 2-Zoll-zu-1,25-Zoll-Okularadapter (T) ein. Ziehen Sie die Rändelschrauben am 2-Zoll-Verlängerungsrohr wieder fest. Der 2-Zoll-zu-1,25-Zoll-Okularadapter kann bereits im 2-Zoll-Verlängerungsrohr installiert sein.

22

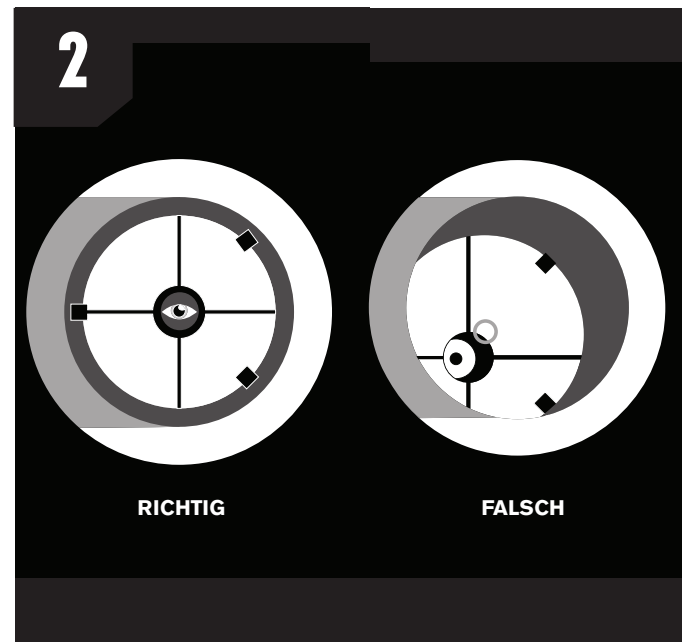
22. Lösen Sie die Rändelschrauben am 2-Zoll-zu-1,25-Zoll-Okularadapter (T), der jetzt im Fokussierer installiert ist, setzen Sie das 32-mm-Omni-Plössl-Okular (R1) in den Adapter ein und ziehen die Rändelschrauben am Adapter wieder fest.

Optik kollimieren

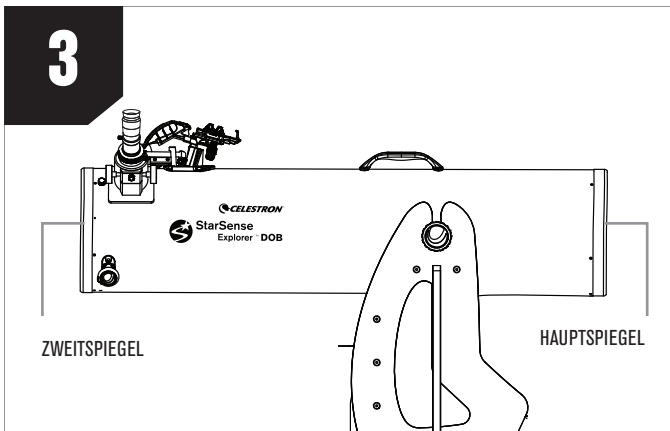
Unter Kollimation versteht man das Ausrichten der Optik des Teleskops. Da der Hauptspiegel nicht im optischen Tubus installiert ist, empfehlen wir, die Optik vor der ersten Nacht draußen zu kollimieren. Es ist am einfachsten ein Teleskop tagsüber zu kollimieren, wenn das Teleskop auf eine weiße Wand gerichtet ist. Dadurch erhalten Sie eine kontrastreiche Ansicht und können leichter feststellen, welche Anpassungen vorgenommen werden müssen. Verwenden Sie den/die mitgelieferten Sechskantschlüssel, um die Anpassungen vorzunehmen.

1

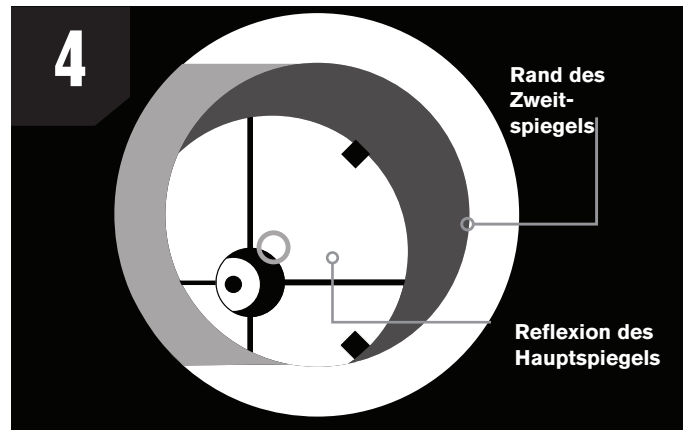
1. Um die Ausrichtung der Spiegel zu überprüfen, entfernen Sie zunächst alle Okulare. Vergewissern Sie sich, dass der 2-Zoll-auf-1,25-Zoll-Adapter im Fokussierer eingesetzt ist. Setzen Sie dann die Kollimationskappe (U) in den Fokussierer.

2

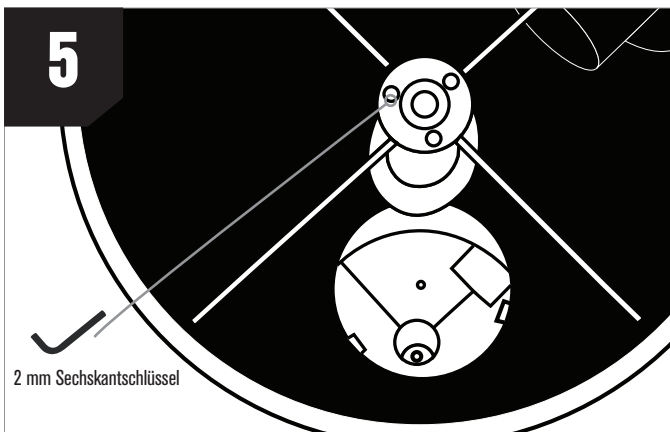
2. Schauen Sie durch das kleine Loch in der Mitte der Kollimationskappe. Wenn Ihre Ansicht mit dem ersten Bild übereinstimmt, ist Ihre Optik richtig kollimiert und Sie sind fertig. Wenn Ihre Ansicht dem zweiten Bild ähnelt, müssen Sie die Ausrichtung der Spiegel anpassen. Weiter zu Schritt 3.



3. Positionieren Sie den Tubus beim Einstellen horizontal. Dadurch wird verhindert, dass etwas auf den Hauptspiegel fällt.



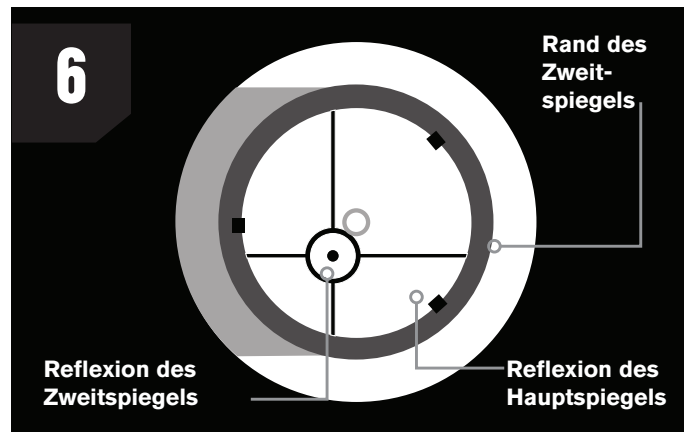
4. Sie sollten in der Lage sein, die Reflexion des gesamten Hauptspiegels zu sehen, der innerhalb des Zweitspiegels zentriert ist, wie in Schritt 2 gezeigt. Wenn dies wie oben gezeigt nicht möglich ist, muss der Zweitspiegel angepasst werden.



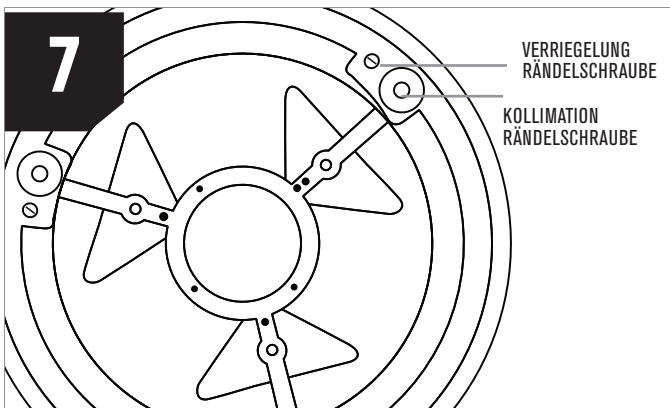
5. Stellen Sie zuerst den Zweitspiegel an der Vorderseite des Teleskops mit dem 2-mm-Sechskantschlüssel ein. Verwenden Sie die drei Innensechskant-Einstellschrauben in der Halterung des Zweitspiegels, um die Neigung des Zweitspiegels einzustellen.

- a.** Stellen Sie eine Einstellschraube nach der anderen ein. Nehmen Sie nur kleine Anpassungen vor.
- b.** Wenn eine Einstellschraube zu fest oder zu locker wird, nehmen Sie Anpassungen an den anderen Einstellschrauben vor, um dies auszugleichen.

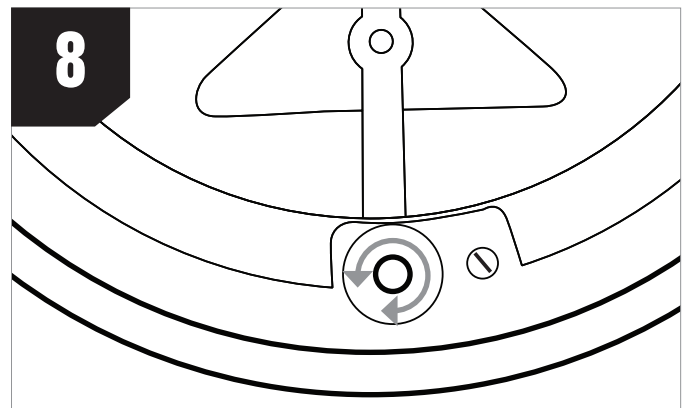
Wenn Sie damit fertig sind, vergewissern Sie sich, dass alle drei Einstellschrauben fest sitzen.



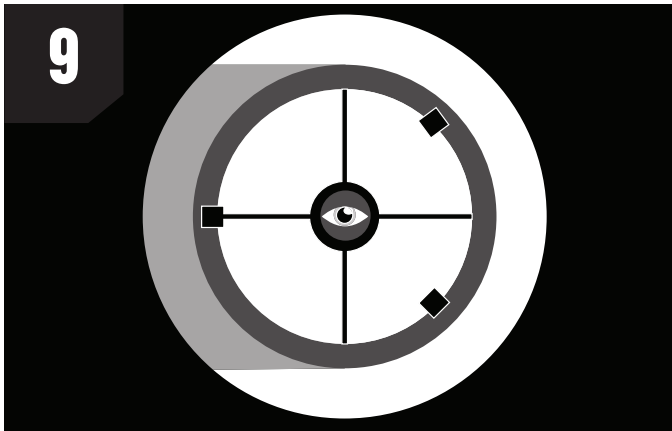
6. Schauen Sie erneut durch die Kollimationskappe, um sicherzugehen, dass der Hauptspiegel wie oben gezeigt im Zweitspiegel zentriert ist. Wenn dies der Fall ist, ist der Zweitspiegel kollimiert. Stellen Sie als Nächstes die Neigung des Hauptspiegels ein, bis die Reflexion des Zweitspiegels innerhalb der Reflexion des Hauptspiegels zentriert ist.



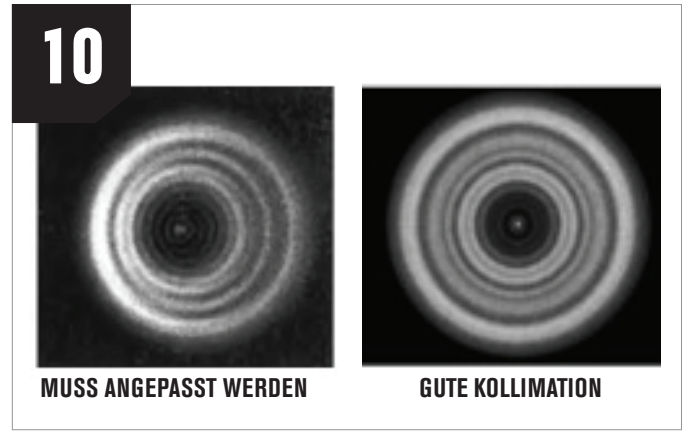
7. Sie benötigen keine Werkzeuge, um den Hauptspiegel zu neigen. Stellen Sie stattdessen einfach die Rändelschrauben ein. Die drei kleineren Rändelschrauben sind zum Feststellen, während Sie mit den größeren drei Rändelschrauben die Neigung für die Kollimation einstellen. Lösen Sie zunächst alle drei Rändelschrauben.



8. Stellen Sie die Rändelschrauben für die Kollimation einzeln ein. Jede Kollimationsschraube ist federgelagert, sodass Sie sie im oder gegen den Uhrzeigersinn drehen können.



9. Passen Sie die Rändelschrauben für die Kollimation weiter an, bis die Reflexion des Zweitspiegels innerhalb der Reflexion des Hauptspiegels zentriert ist, wie oben gezeigt. Ziehen Sie die drei Rändelschrauben wieder an, bis sie fest sitzen. Wenn Sie fertig sind, sollte die Sicht durch die Kollimationskappe wie abgebildet aussehen.



10. Die Optik Ihres Teleskops ist jetzt kollimiert und einsatzbereit. Sie können die Kollimation eines Teleskops auch bei Nacht bestätigen, indem Sie das Teleskop bei starker Vergrößerung auf einen hellen Stern richten. Zentrieren Sie den Stern im Sichtfeld und defokussieren ihn leicht – er sollte wie ein Kreis mit einem Loch in der Mitte aussehen. (Das „Loch“ ist der Schatten des Zweitspiegels.) Wenn das Loch nicht innerhalb des Kreises zentriert ist, müssen Sie zusätzliche Anpassungen an der Ausrichtung der Spiegel vornehmen.

Die App aktivieren



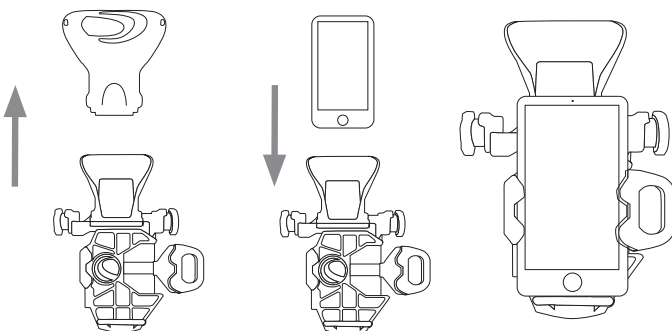
1. Bevor Sie Ihr Teleskop mit nach draußen nehmen, laden Sie die StarSense Explorer by SkySafari™-App auf Ihr Mobilgerät. Suchen Sie im Apple App Store oder bei Google Play nach „Celestron StarSense Explorer“. Die App ist groß. Daher empfehlen wir, sie über eine bestehende WLAN-Verbindung herunterzuladen.
2. Nachdem Sie die App heruntergeladen haben, suchen Sie die orangefarbene Postkarte in Ihrer Teleskopverpackung. Öffnen Sie die App. Wenn Sie dazu aufgefordert werden, geben Sie den Aktivierungscode auf der Postkarte ein, um die App zu aktivieren. Ihr Code entspermt bis zu 5 Geräte.

Bewegen des Teleskops



1. Das StarSense Dobson Teleskop bewegt sich frei in Höhe (auf und ab) und Azimut (von links nach rechts). Sie bewegen einfach den Tubus, indem Sie ihn in die gewünschte Richtung schieben. Sie können den Knopfgriff an der Vorderseite des Teleskops als Handgriff verwenden.
2. Wenn sich die Höhenbewegung zu leicht bewegt oder sich das Teleskop ohne Kraftanwendung nach oben oder unten bewegt, ziehen Sie den Höhenwiderstandsknopf fest. Umgekehrt, wenn viel Kraft erforderlich ist, um das Teleskop nach oben oder unten zu bewegen, lösen Sie den Knopf.

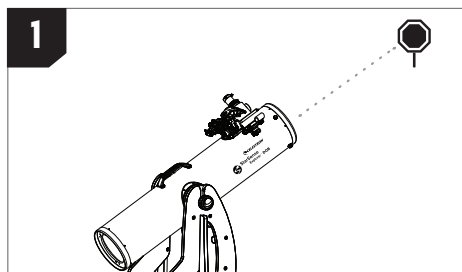
Anbringen des Smartphones



1. Entfernen Sie die große Kappe, die den Spiegel auf der Vorderseite des StarSense-Docks abdeckt.
2. Öffnen Sie durch Ziehen den federgespannten Schieber oben am Telefondock und setzen das Telefon so in die Halterung ein, dass es bündig mit der unteren Lippe der Telefonhalterung abschließt. Lassen Sie den Schieber langsam los, um das Telefon zu sichern.

Ausrichten des StarPointers

Der StarPointer Sucher mit rotem Punkt ist einer der wichtigsten Teile Ihres Teleskops. Obwohl die StarSense Explorer-App Objekte für Sie lokalisiert und zentriert, hilft Ihnen die richtige Ausrichtung des StarPointers dabei, die App auf das Teleskop auszurichten. Wenn Sie Ihr Teleskop zum ersten Mal zusammenbauen, müssen Sie das Sucherfernrohr auf die Hauptoptik des Teleskops ausrichten. Am besten tun Sie dies tagsüber.*



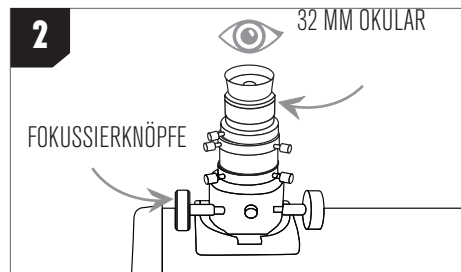
1. WÄHLEN SIE EIN ZIEL

Nehmen Sie das Teleskop tagsüber mit nach draußen und suchen ein leicht erkennbares Objekt wie eine Straßenlaterne, ein Nummernschild oder ein Schild. Das Objekt sollte 400 Meter oder weiter entfernt sein.



*WARNUNG BEI SONNENBEOBACHTUNG!

Niemals ohne einen vorschriftsmäßigen Sonnenfilter durch ein Teleskop in die Sonne schauen!



2. ZENTRIEREN SIE DAS ZIEL IM OKULAR

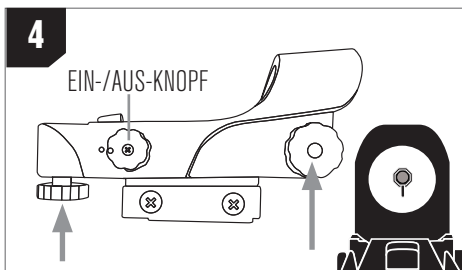
Schauen Sie jetzt durch das 32-mm-Okular des Teleskops. Schwenken Sie das Teleskop, bis das ausgewählte Objekt im Zentrum des Sichtfelds liegt. Ist das Bild unscharf, drehen Sie langsam am Fokussierknopf, bis das Bild scharf gestellt ist.

HINWEIS Das Bild in Ihrem Teleskop erscheint möglicherweise spiegelverkehrt. Dies ist bei einem astronomischen Teleskop völlig normal.



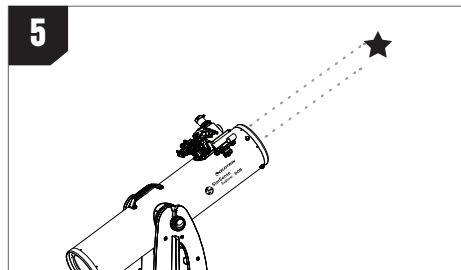
3. SCHAUEN SIE DURCH DAS SUCHERFERNRROHR

Ziehen Sie die Batterieschutzlasche aus dem StarPointer und schalten ihn mit dem Ein-/Ausschalter auf maximale Helligkeit. Schauen Sie durch den StarPointer und suchen den roten Punkt.



4. SUCHERFERNRROHR EINSTELLEN

Ohne das Teleskop zu bewegen, bewegen Sie mit den zwei Knöpfen den roten Punkt bis er über demselben Objekt erscheint, das Sie im 32-mm-Okular des Teleskops beobachten.



5. IHR SUCHERFERNRROHR IST JETZT AUSGERICHTET!

Es ist keine Neuausrichtung erforderlich, es sei denn, es wurde einem Stoß ausgesetzt oder fiel um. Wenn Sie jetzt durch den StarPointer blicken, zeigt der rote Punkt an, wohin das Teleskop zeigt. Vergessen Sie nicht, den roten Punkt auszuschalten, wenn Sie fertig sind, um den Akku zu schonen.

Herzlichen Glückwunsch! Nun ist Ihr Teleskop vollständig zusammengebaut und Sie sind bereit, den Kosmos zu erforschen.

Nehmen Sie das Teleskop mit nach draußen, setzen Sie Ihr 32-mm-Okular ein, entfernen Sie den Objektivdeckel, stecken Ihr Smartphone in die Halterung und öffnen die StarSense Explorer-App. Das Tutorial in der App führt Sie durch die Schritte, um Ihr erstes astronomisches Ziel zu suchen.

Weitere Informationen zu diesem Produkt finden Sie auf der jeweiligen Produktseite auf celestron.com



SONNENSTRAHLEN-WARNHINWEIS:

Versuchen Sie niemals, ohne einen geeigneten Sonnenfilter die Sonne durch ein Teleskop zu beobachten.

celestron.com/pages/warranty



UK CA CE FC



BENÖTIGEN SIE UNTERSTÜTZUNG? Wenden Sie sich an die technische Unterstützung von Celestron unter celestron.com/pages/technical-support

Produktdesign und technische Daten können ohne vorherige Ankündigung geändert werden. Dieses Produkt ist für Personen ab 14 Jahren konzipiert und vorgesehen.

CELESTRON

©2023 Celestron. Celestron und Symbol sind Warenzeichen von Celestron, LLC. Alle Rechte vorbehalten. Celestron.com • 2835 Columbia Street, Torrance, CA 90503 USA

Hergestellt in China | 03-23

36 | DEUTSCH



ACHTUNG: BEWAHREN SIE DIE BATTERIEN AUSSERHALB DER REICHWEITE VON KINDERN AUF.

- Überprüfen Sie die Geräte und vergewissern Sie sich, dass das Batteriefach korrekt befestigt ist, z. B. dass die Schraube oder andere mechanische Befestigungselemente angezogen sind.
- Verwenden Sie es nicht, wenn das Batteriefach nicht in Ordnung ist.
- Entsorgen Sie gebrauchte Knopfzellen sofort und sicher. Auch leere Batterien können gefährlich sein.
- Informieren Sie andere über die mit Knopfzellen verbundenen Risiken und darüber, wie sie ihre Kinder schützen können.

SICHERHEITSHINWEISE

- Es besteht eine Explosionsgefahr, wenn die Batterie durch einen falschen Batterietyp ersetzt wird.
- Die mitgelieferte Batterie ist nicht wiederaufladbar.
- Verwenden Sie die Batterie nur wie ursprünglich vorgesehen, um einen Kurzschluss zu vermeiden. Das direkte Anschließen des leitenden Materials an die positiven und negativen Seiten der Batterie führt zu einem Kurzschluss.
- Verwenden Sie keine beschädigte Batterie.
- Lagern Sie die Batterie nicht in einer extrem kalten oder heißen Umgebung. Dies kann die Batterielebensdauer verringern.
- Beachten Sie beim Ersetzen der Batterie die Bedienungsanleitung und sorgen Sie dafür, dass die positiven und negativen Pole richtig ausgerichtet sind.
- Werfen Sie die Batterie nicht ins Feuer.
- Entsorgen Sie die Batterie gemäß den örtlichen Vorschriften.

CELESTRON

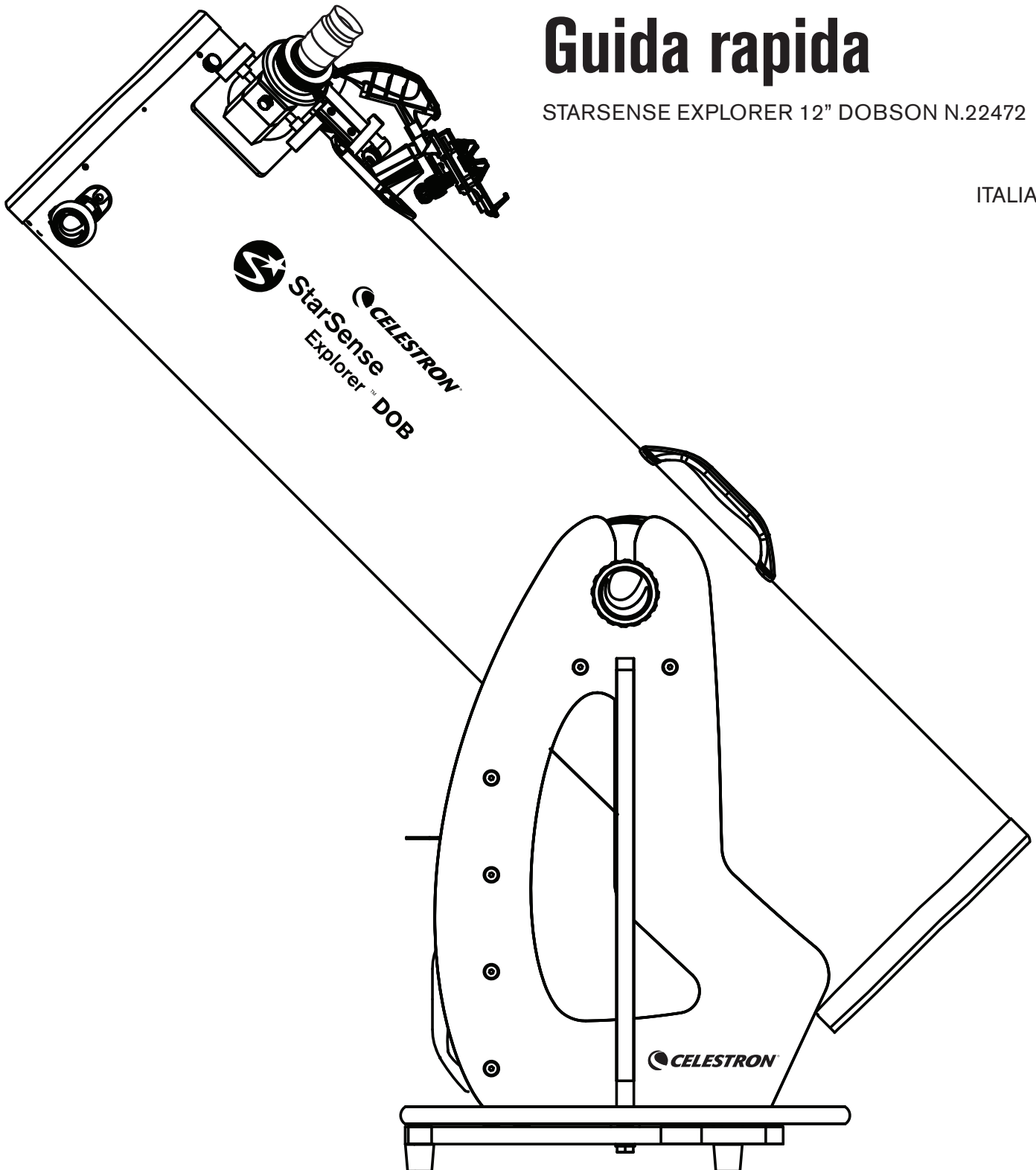


StarSense
Explorer™ DOB

Guida rapida

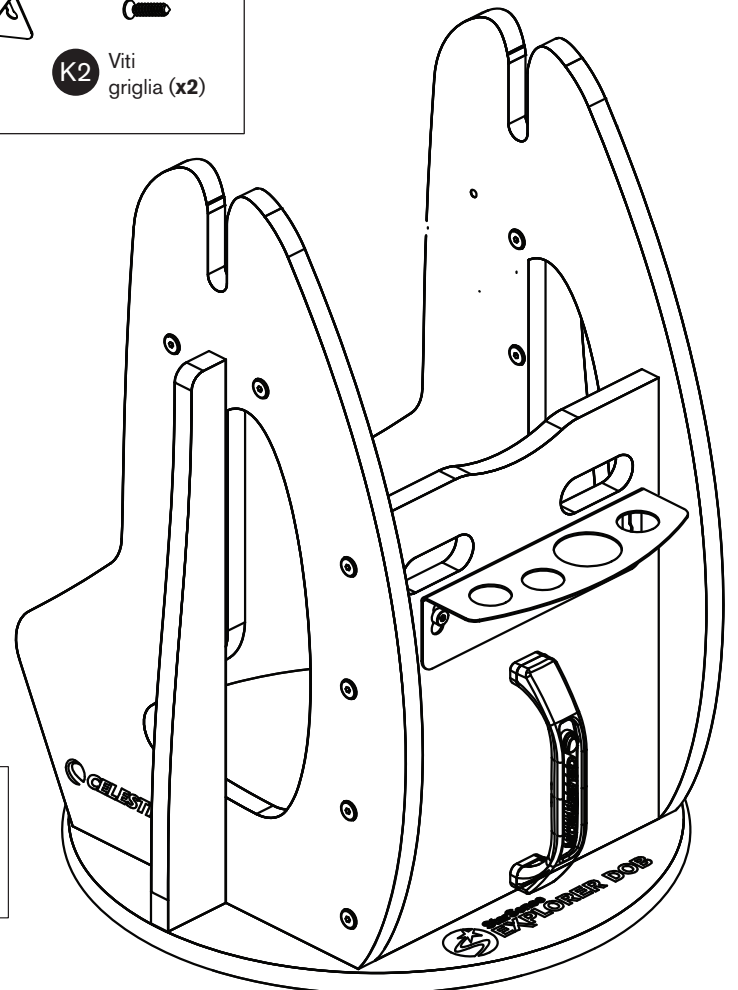
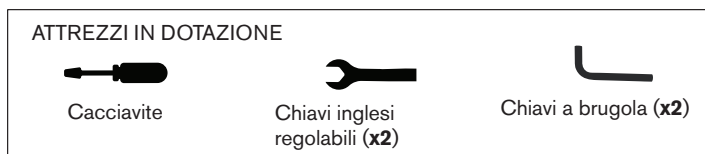
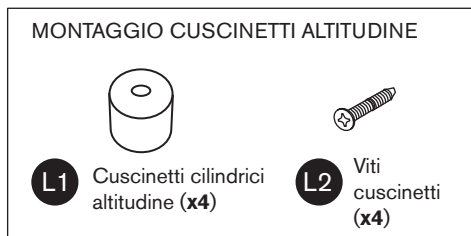
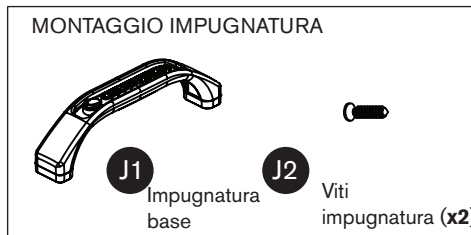
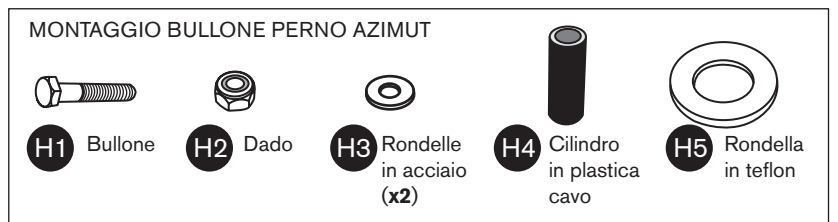
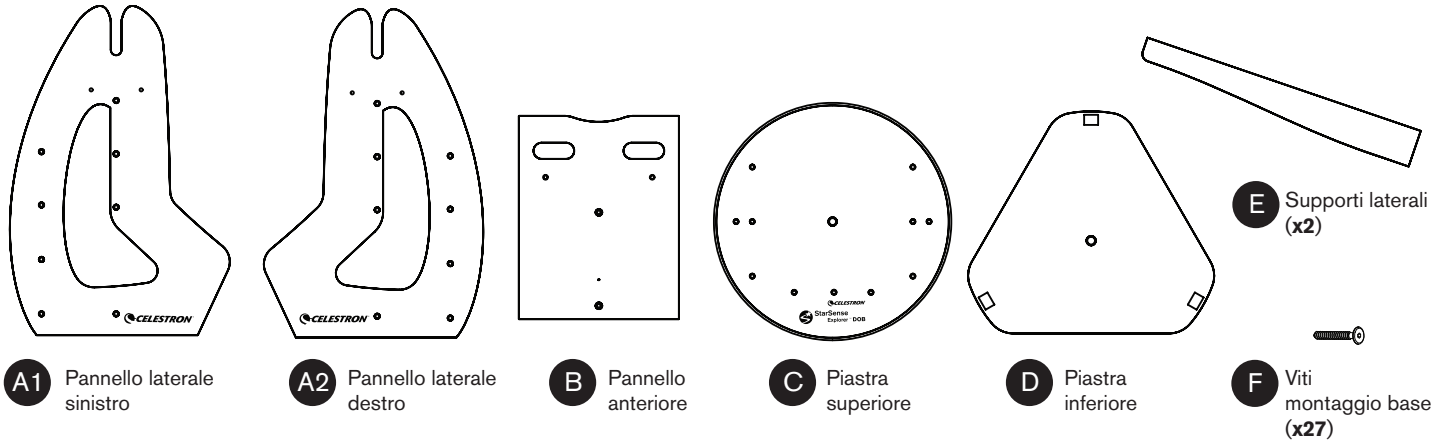
STARSENSE EXPLORER 12" DOBSON N.22472

ITALIANO

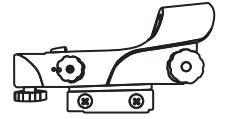
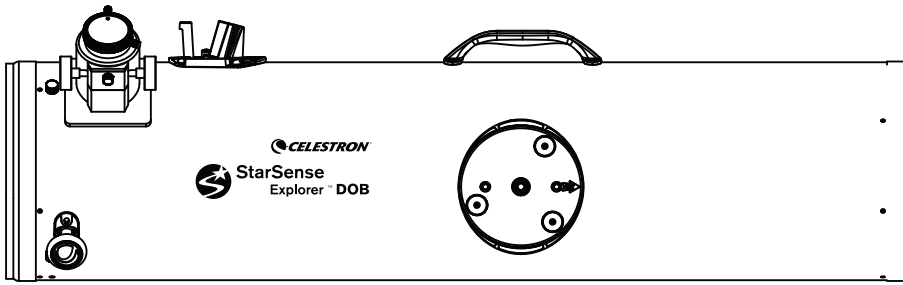


Contenuto della confezione

Confezione 1 - Base dobson



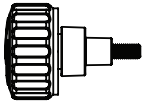
Confezione 2 - Gruppo tubo ottico



O Gruppo tubo ottico con copertura antipolvere

P Aggancio StarSense

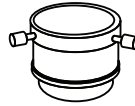
Q Cercatore con mirino StarPointer



N1 Manopola di tensionamento altitudine



R1 Oculare Omni Plössl 32 mm



S Prolunga focheggiatore 2"



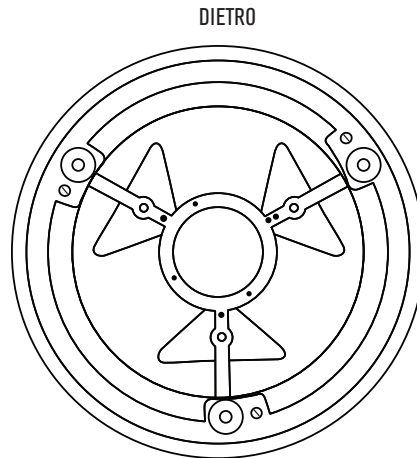
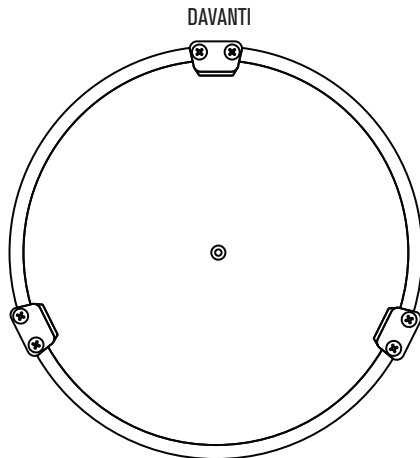
T Adattatore oculare da 2" a 1,25" con tappo da 1,25"



U Tappo per collimazione con chiave a brugola da 2mm

N2 Manopola decorativa

CONFEZIONE 3 - Specchio primario

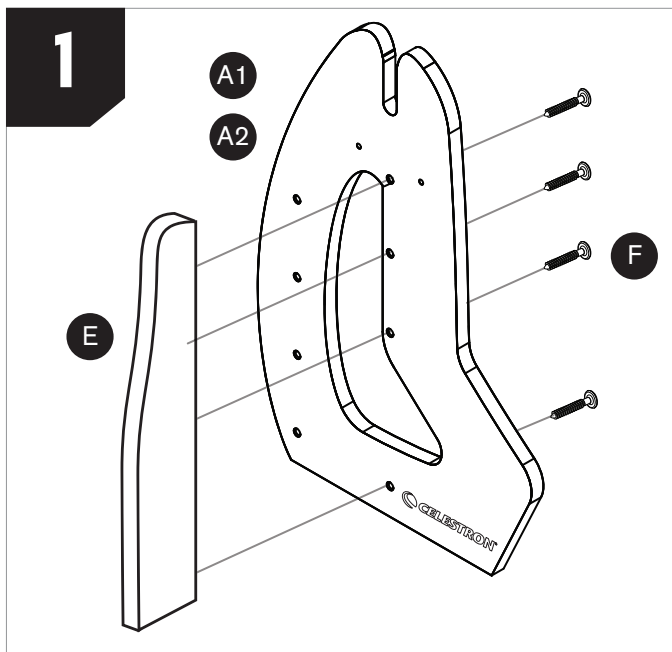


V Specchio primario in cella specchio

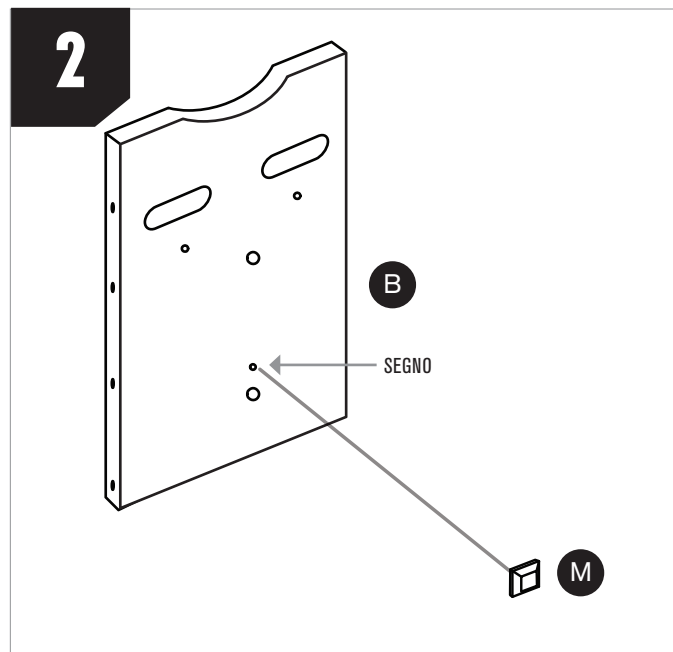


W Viti cella specchio (x6)

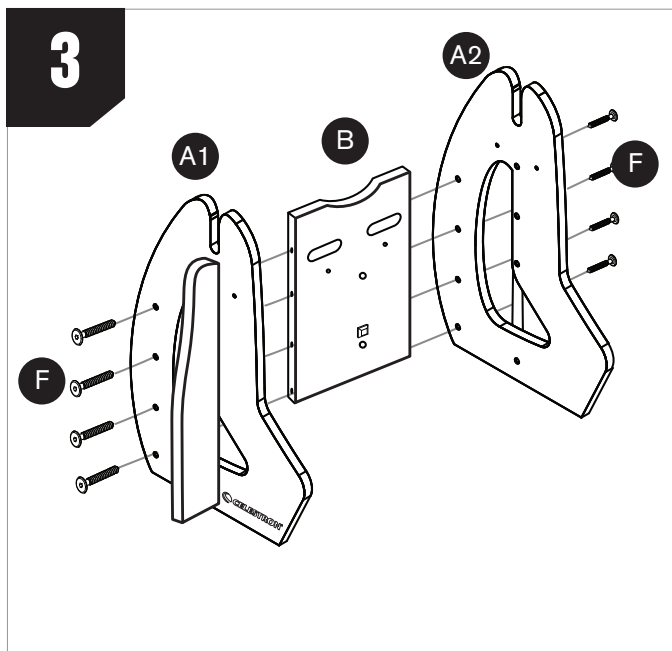
Assemblaggio



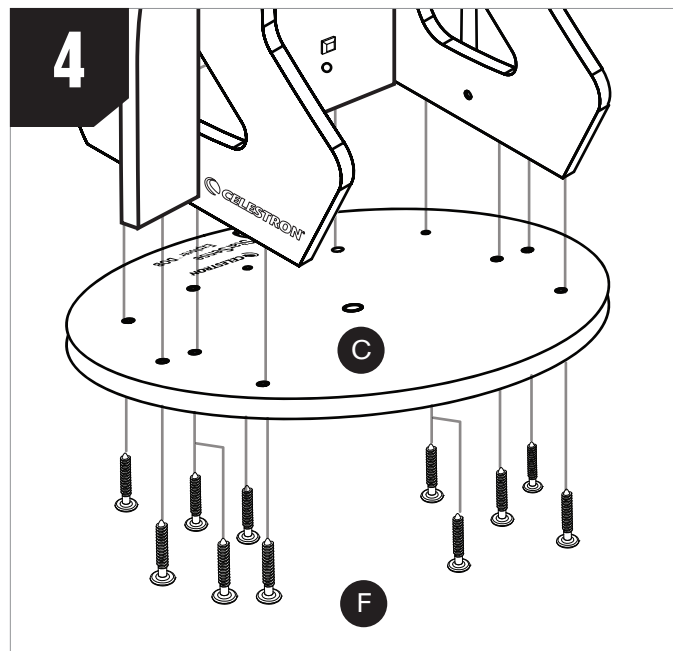
1. Collegare i supporti laterali (E) al pannello laterale sinistro (A1) e al pannello laterale destro (A2) utilizzando 8 delle viti di montaggio base (F). Tali supporti vanno montati sul lato dei pannelli con il logo Celestron.



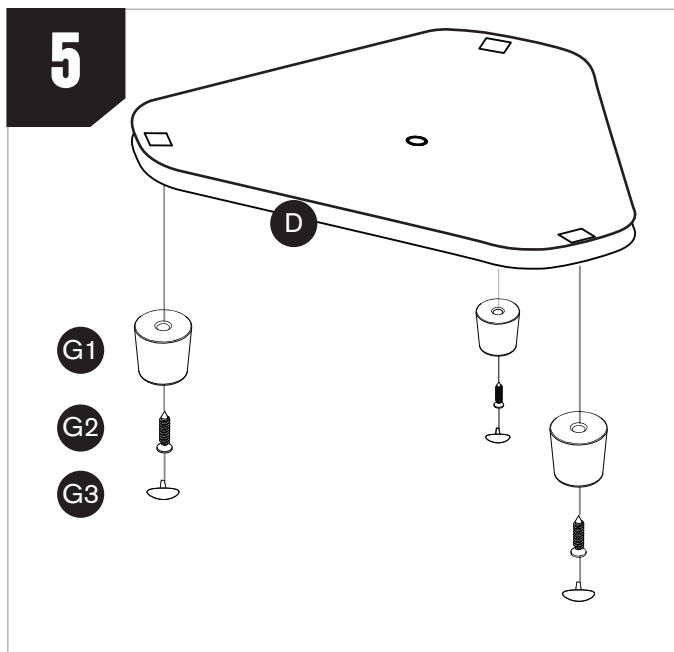
2. Fissare l'ammortizzatore in gomma (M) alla superficie interna del pannello anteriore (B). È presente un piccolo segno sul pannello anteriore che indica dove sistemare l'ammortizzatore in gomma. Rimuovere la pellicola adesiva dall'ammortizzatore e premerlo fermamente sul segno.



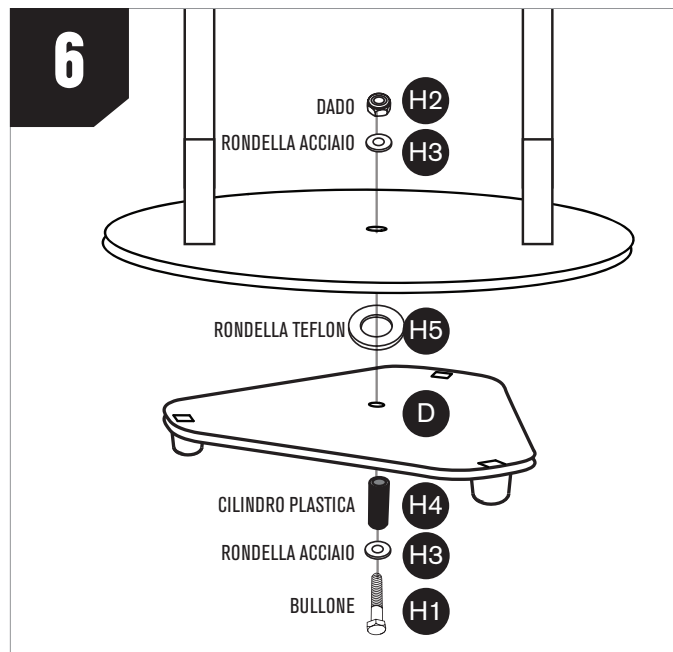
3. Collegare i pannelli laterali (A1 & A2) al pannello anteriore (B) utilizzando 8 delle viti di montaggio base (F). Assicurarsi che il logo Celestron sui pannelli laterali sia rivolto verso l'esterno e che l'ammortizzatore in gomma sul pannello anteriore sia rivolto verso l'interno.



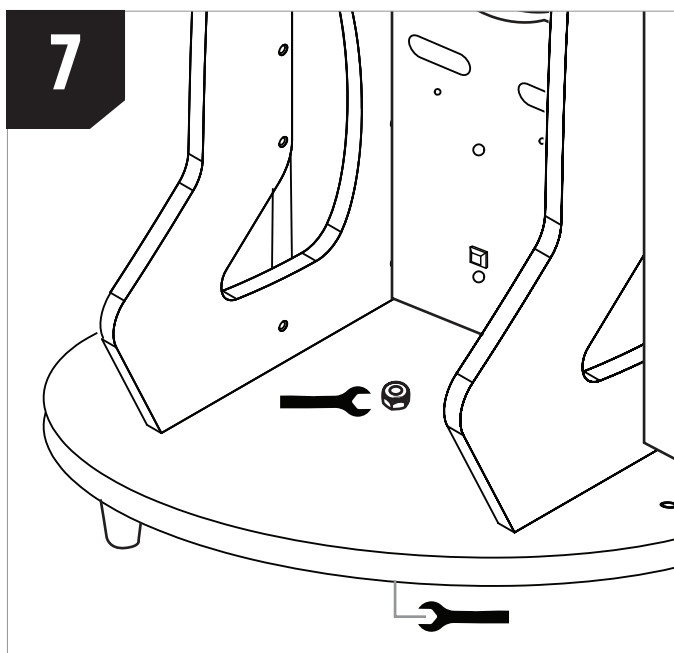
4. Collegare il blocco alla piastra superiore (C) utilizzando 11 delle viti di montaggio base (F). Orientare la piastra superiore in modo che il lato con il logo sia rivolto verso l'alto.



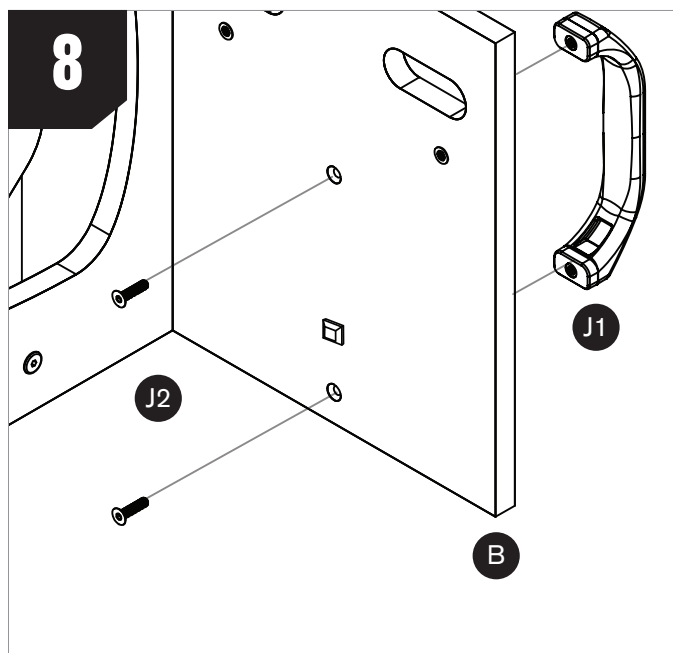
5. Fissare i 3 piedini (G1) alla piastra inferiore (D) utilizzando le 3 viti per piedini (G2). Avvitare fermamente le viti nei fori pilota presenti. Una volta installate, premere i cappucci copriviti piedini (G3) alle estremità dei piedini.



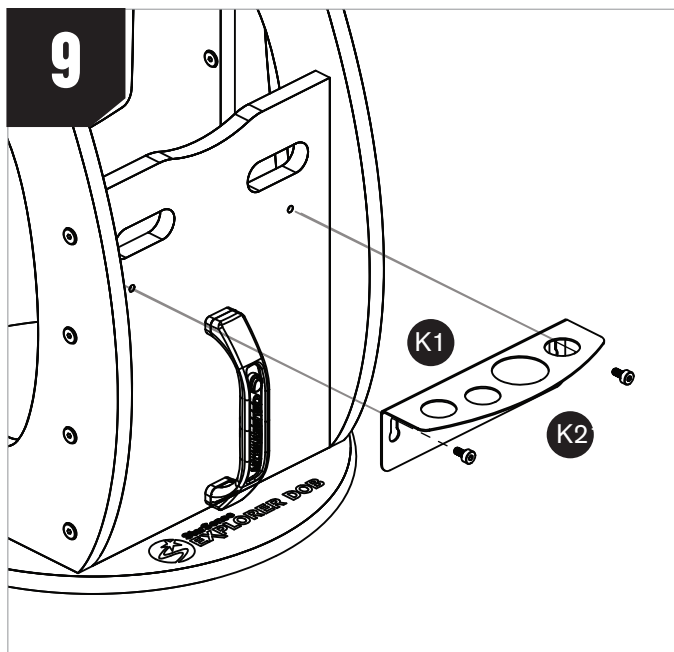
6. Collegare il blocco alla piastra inferiore (D). Sistemare una delle rondelle in acciaio (H3) e il cilindro in plastica (H4) sul bullone (H1). Quindi inserire il bullone nel foro centrale della piastra inferiore. Successivamente, sistemare la rondella in teflon (H5) sul cilindro in plastica (H4), che ora sporge dalla piastra inferiore. Prendere la base assemblata e abbassarla sulla piastra inferiore in modo che il cilindro in plastica passi attraverso il foro centrale della piastra superiore. Infine, sistemare la rimanente rondella in acciaio (H3) all'estremità del bullone che sporge dalla piastra superiore. Avvitare il dado (H2) sul bullone. Passare al punto 7 per istruzioni su come serrare il bullone.



7. Utilizzare le due chiavi inglesi regolabili per serrare il dado al bullone. Tenere ferma la testa del bullone con una chiave e utilizzare l'altra chiave per serrare il dado. **NON SERRARE ECCESSIVAMENTE IL DADO!** Con un po' di forza, dovrebbe essere ancora possibile muovere con le dita la rondella in acciaio sotto il dado. Se non è possibile muovere la rondella con le dita, allentare leggermente il dado.

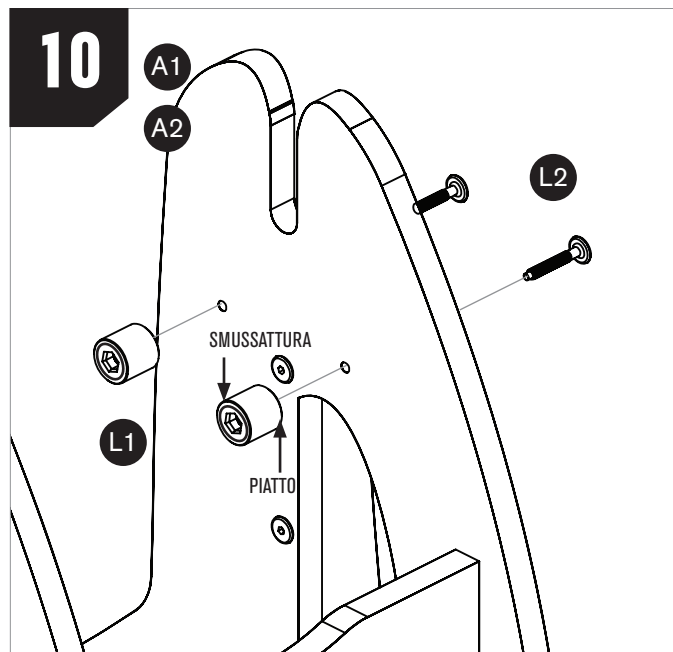


8. Installare l'impugnatura della base (J1) all'esterno del pannello anteriore (B) utilizzando le 2 apposite viti (J2).

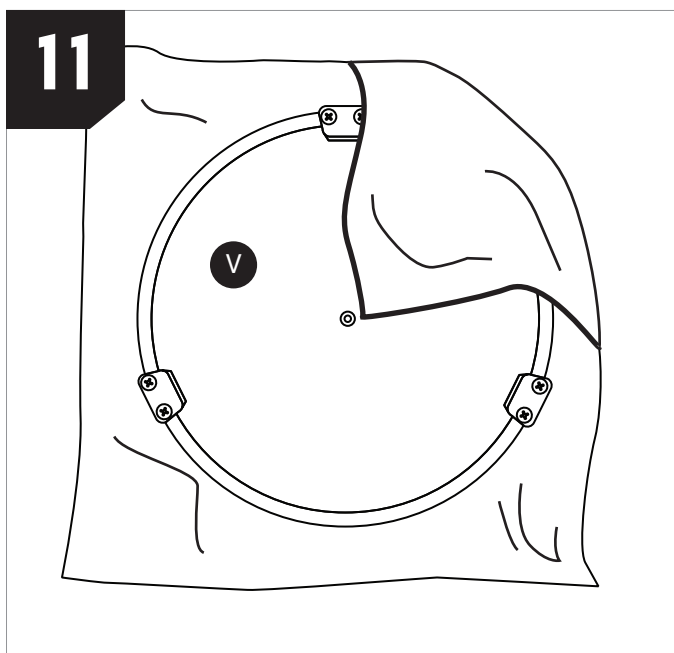


9. Installare le 2 viti per griglia (**K2**) sul pannello anteriore, quindi installare la griglia per oculari (**K1**) inserendo la testa della vite attraverso il foro della griglia, quindi spingere la griglia verso il basso.

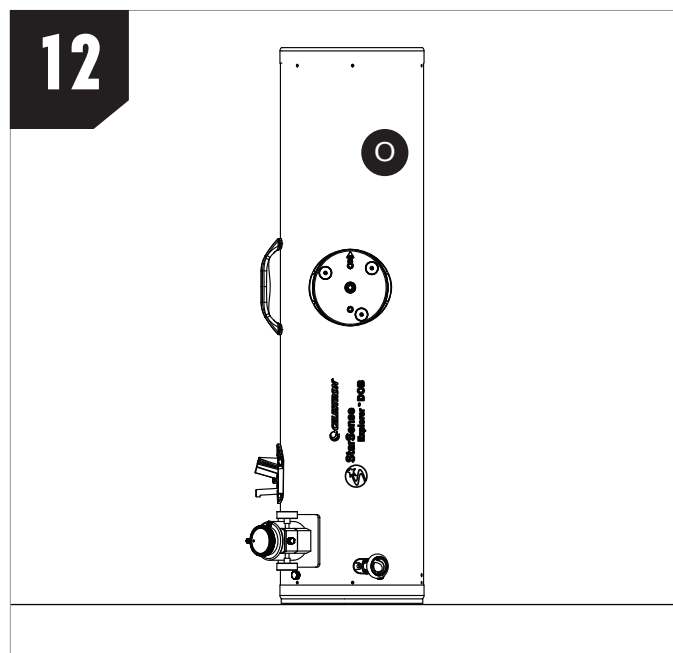
NOTA: Se si desidera rimuovere la griglia dopo averla installata, tirarla semplicemente verso l'alto.



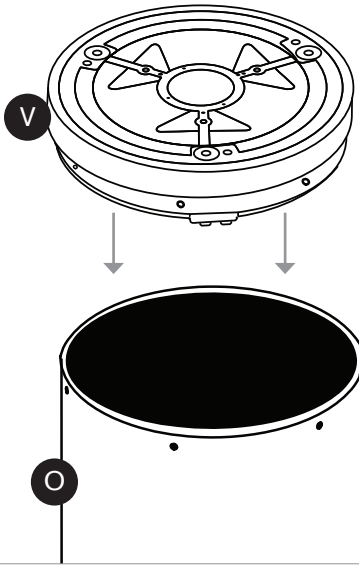
10. Installare i cuscinetti cilindrici altitudine (**L1**) nei pannelli laterali destro e sinistro (**A1 & A2**) con le viti dei cuscinetti (**L2**). I cuscinetti vanno sulle superfici interne dei pannelli laterali. L'estremità piatta del cuscinetto, quella senza smussatura, deve essere a filo della superficie del pannello.



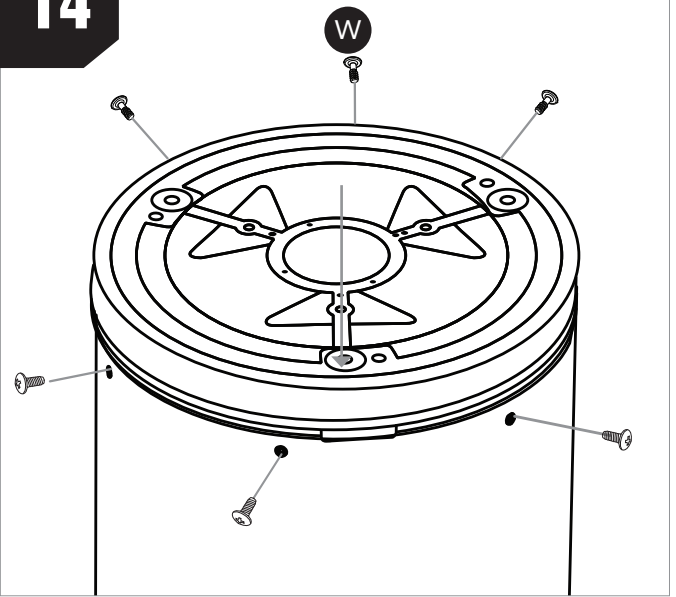
11. Installare la cella dello specchio primario (**V**) nel gruppo del tubo ottico (**O**). Rimuovere innanzitutto la pellicola in plastica e la carta che proteggono lo specchio primario durante il trasporto.



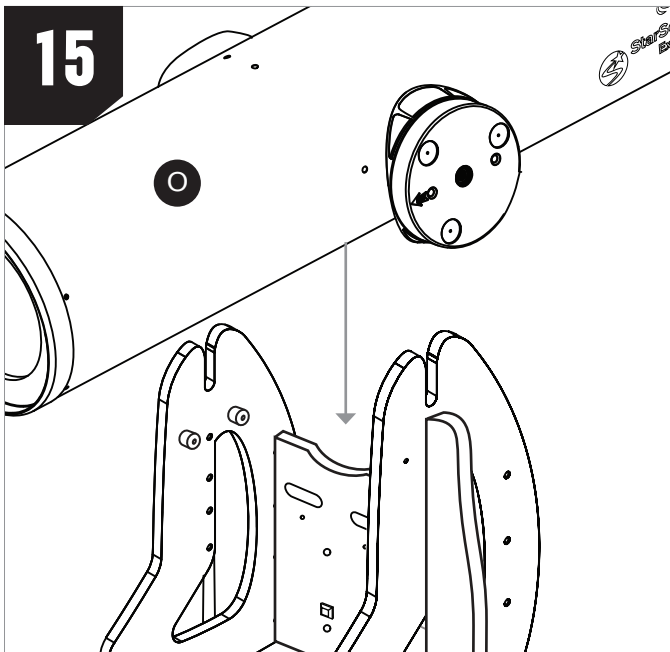
12. Tenere il gruppo del tubo ottico (**O**) verso l'alto in modo che l'estremità anteriore sia verso terra e il bordo esposto del tubo sia rivolto verso l'alto.

13

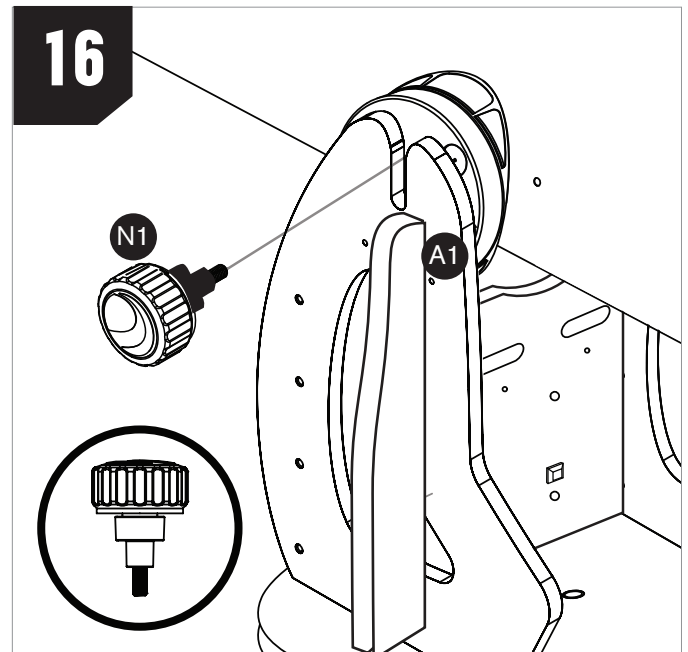
13. Capovolgere la cella dello specchio primario (**V**) (i.e. in modo che lo specchio primario sia rivolto verso il basso), allineare i fori filettati nel perimetro della cella dello specchio con i fori all'estremità del tubo, quindi sistemare la cella dello specchio sul tubo.

14

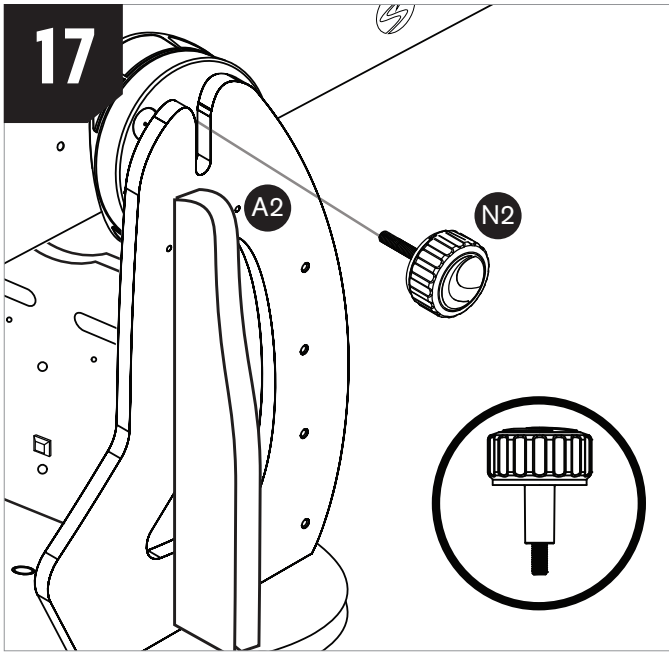
14. Successivamente, installare le viti della cella dello specchio (**W**) nel tubo e nella cella. Non serrare ancora le viti perché potrebbe essere necessario effettuare piccole regolazioni alla posizione della cella per allineare i fori con precisione. Una volta avvitate le viti alla cella dello specchio, serrarle saldamente in posizione.

15

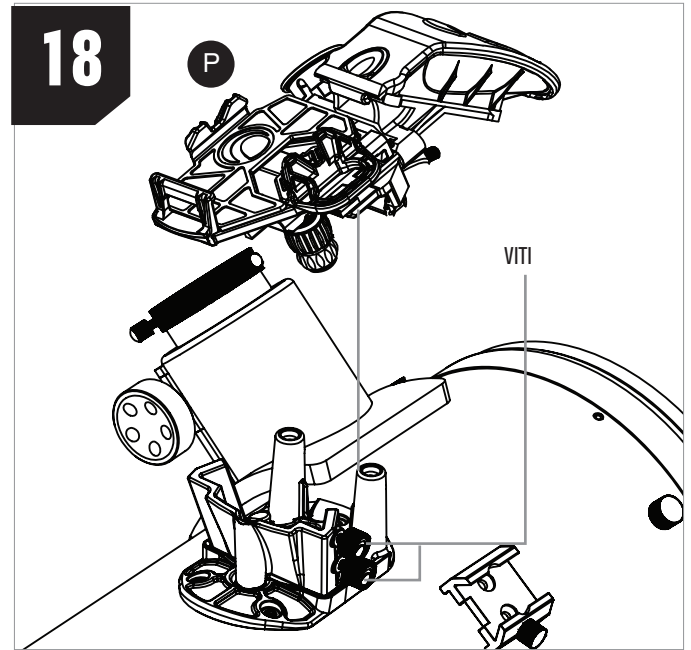
15. Sistemare il gruppo del tubo ottico (**O**) sulla base Dobson assemblata. I mozzetti laterali del tubo devono poggiare sui cuscinetti cilindrici altitudine della base.

16

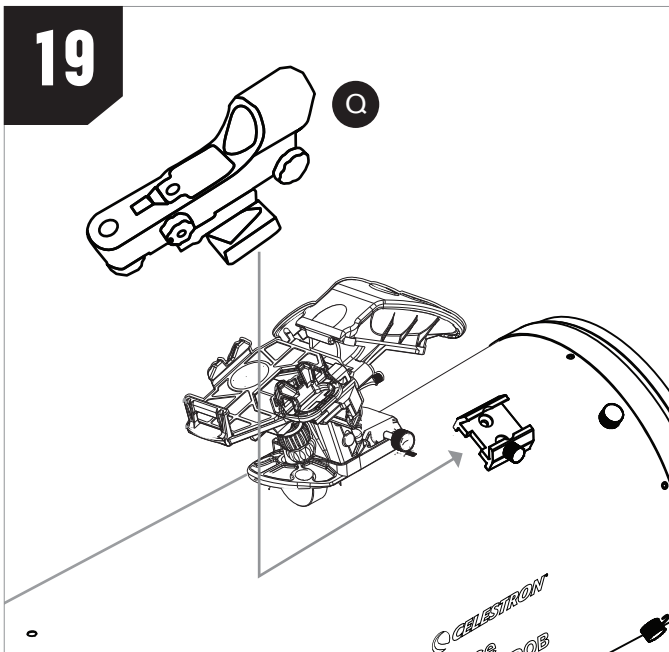
16. Installare la manopola di tensionamento altitudine (**N1**) nella fessura del pannello laterale sinistro (**A1**) e nell'inserto filettato al centro del mozzetto laterale sul gruppo tubo ottico. La manopola di tensionamento (**N1**) è quella con i gradini sull'asta.



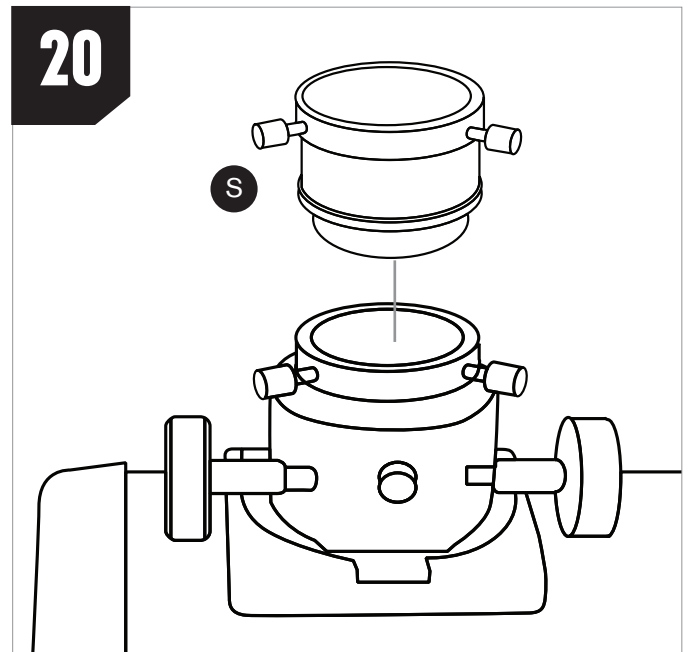
17. Installare la manopola decorativa (**N1**) nella fessura del pannello laterale destro (**A1**) e nell'inserto filettato al centro del mozzo laterale sul gruppo tubo ottico. La manopola decorativa (**N1**) è quella liscia, senza gradini sull'asta.



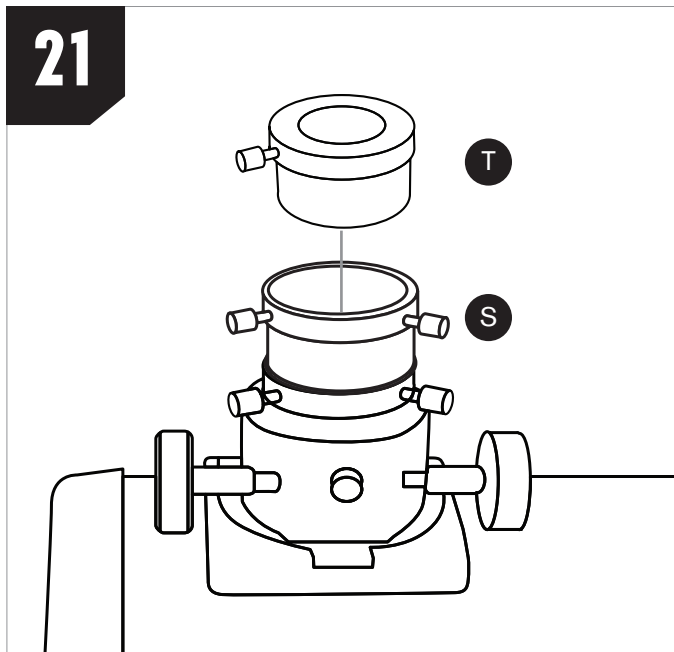
18. Installare l'aggancio StarSense (**P**). Innanzitutto, allentare le 2 viti sulla base StarSense sul tubo. Inserire l'aggancio sulla base, quindi serrare nuovamente le viti.



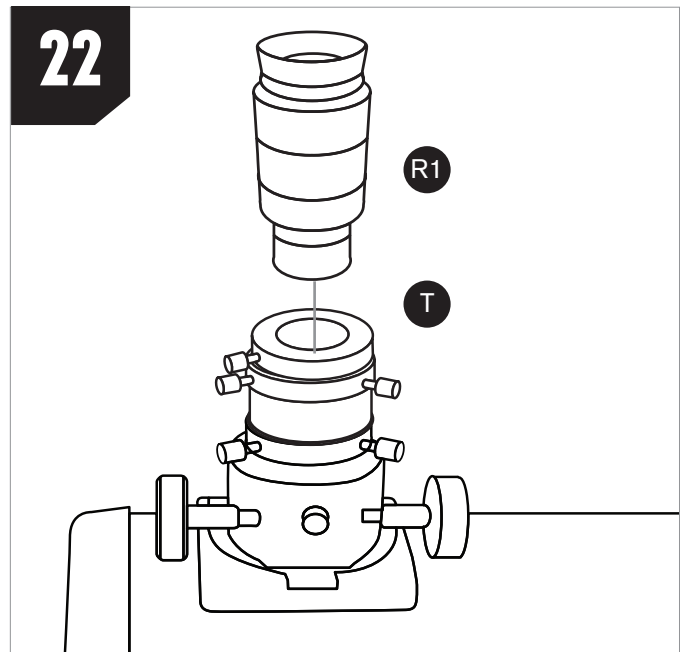
19. Installare il cercatore con mirino StarPointer (**Q**) sul gruppo tubo ottico. Innanzitutto, allentare la vite sul supporto del cercatore. Inserire la base dello StarPointer nel supporto e serrare la vite.



20. Allentare le viti all'estremità del foccheggiatore e inserire la prolunga da 2" (**S**) nel foccheggiatore. Serrare nuovamente le viti.



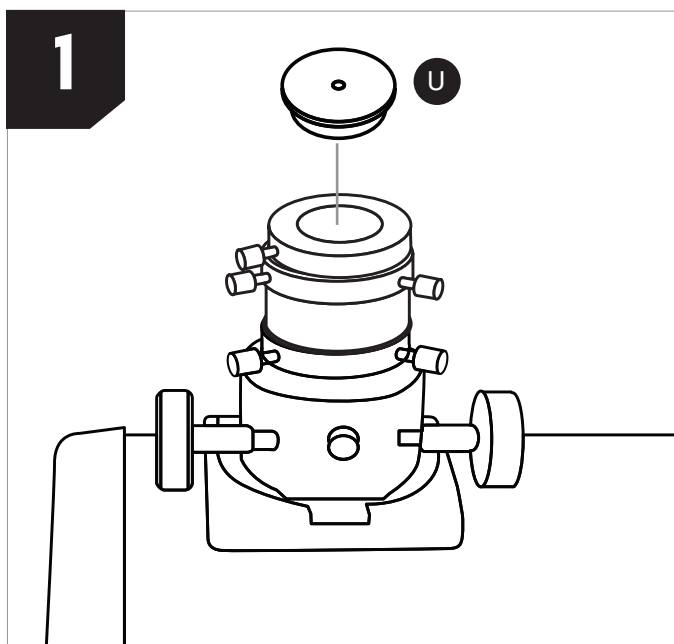
21. Allentare le viti sulla prolunga da 2" (**S**) ora installata nel foccheggiatore e inserire l'adattatore per oculare da 2" a 1,25" (**T**). Serrare nuovamente le viti sulla prolunga da 2". L'adattatore per oculare da 2" a 1,25" potrebbe già essere installato nella prolunga da 2".



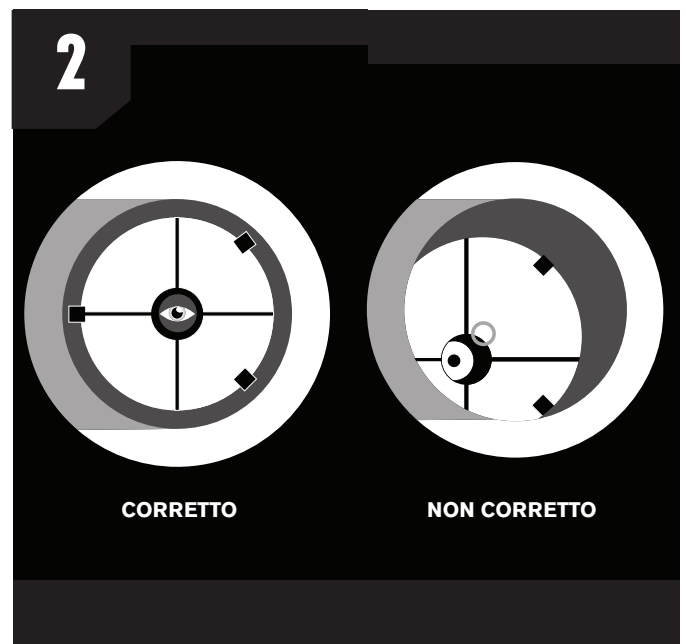
22. Allentare le viti sull'adattatore per oculare da 2" a 1,25" (**T**) ora installato nel foccheggiatore, sistemare l'oculare Omni Plössl da 32mm (**R1**) sull'adattatore e serrare le viti sull'adattatore.

Collimazione delle ottiche

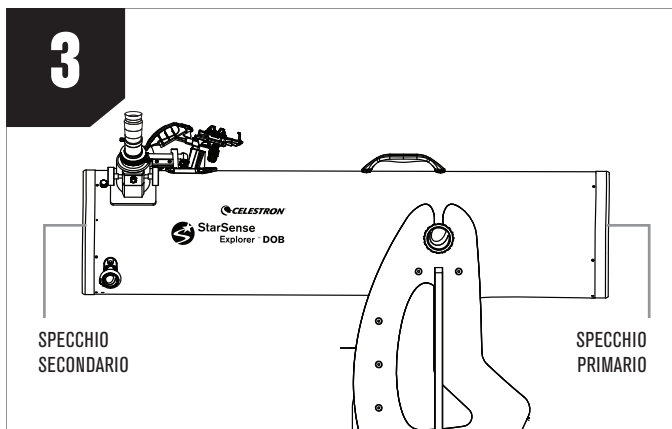
La collimazione è la procedura di allineamento delle ottiche del telescopio. Poiché lo specchio primario non arriva installato sul tubo ottico, si consiglia di collimare le ottiche prima della prima osservazione notturna. È più facile effettuare la collimazione del telescopio durante il giorno con il telescopio puntato verso una parete vuota. Ciò fornisce una visione ad alto contrasto, rendendo più semplice capire quali regolazioni effettuare. Utilizzare la/e chiave/i a brugola in dotazione per effettuare le regolazioni.



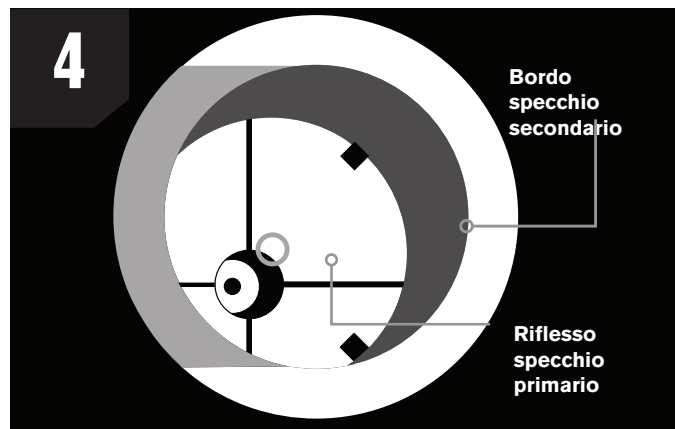
1. Per verificare l'allineamento degli specchi, rimuovere innanzitutto gli oculari. Assicurarsi che sia installato nel foccheggiatore l'adattatore da 2" a 1,25". Quindi, sistemare il tappo per collimazione (**U**) nel foccheggiatore.



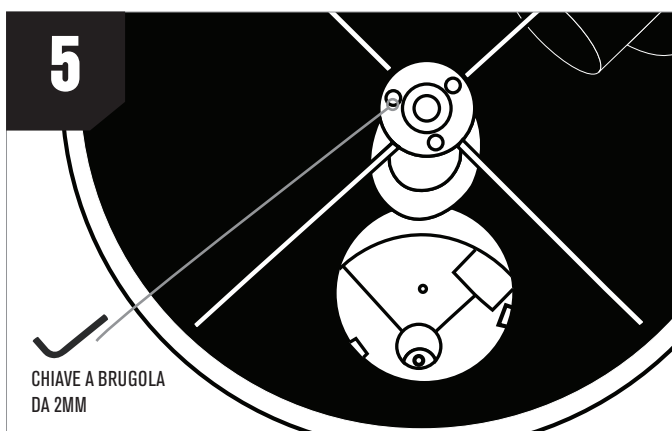
2. Guardare attraverso il piccolo foro al centro del tappo per collimazione. Se ciò che si osserva corrisponde alla prima immagine, le ottiche sono collimate correttamente e la procedura è terminata. Se ciò che si osserva assomiglia alla seconda immagine, occorre regolare l'allineamento degli specchi. Andare al punto 3.



3. Durante le regolazioni, sistemare il tubo orizzontalmente. Ciò impedisce cadute di componenti sullo specchio primario.



4. Dovrebbe essere possibile vedere il riflesso dell'intero specchio primario centrato nello specchio secondario come mostrato al punto 2. Se ciò non avviene, come mostrato sopra, occorre regolare lo specchio secondario.

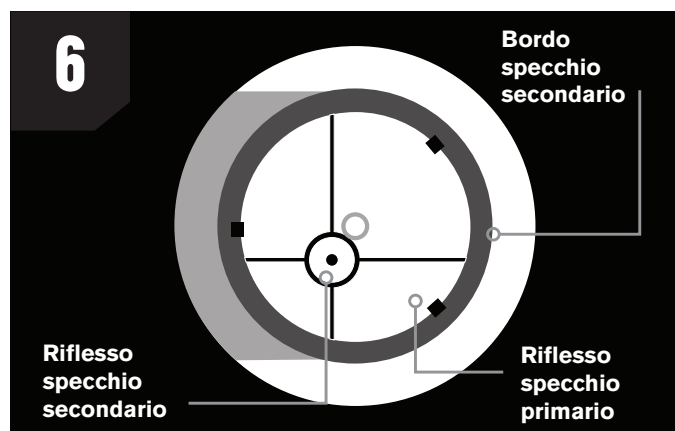


5. Innanzitutto, regolare lo specchio secondario sulla parte anteriore del telescopio utilizzando la chiave a brugola da 2mm. Utilizzare le tre viti di regolazione a brugola sul supporto dello specchio secondario per regolarne l'inclinazione.

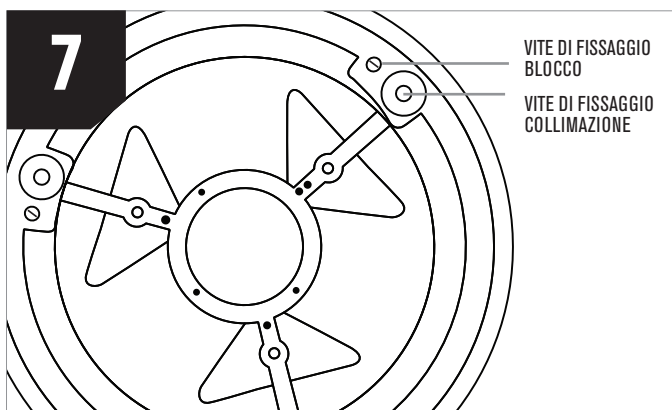
a. Regolare una vite alla volta. Effettuare solo piccole regolazioni.

b. Se una vite è troppo stretta o troppo allentata, regolare le altre viti per compensare.

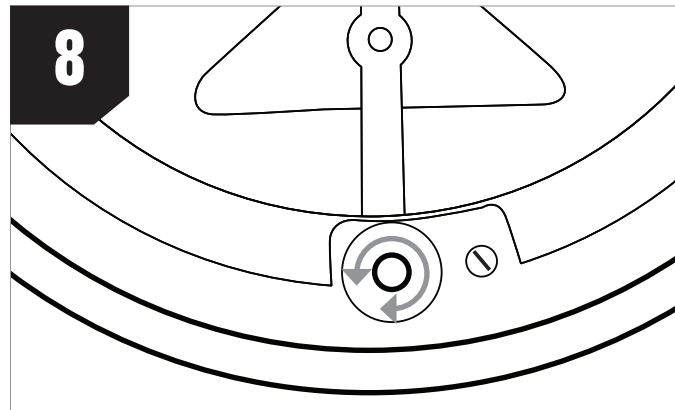
Al termine, assicurarsi che tutte e tre le viti siano avvitate saldamente.



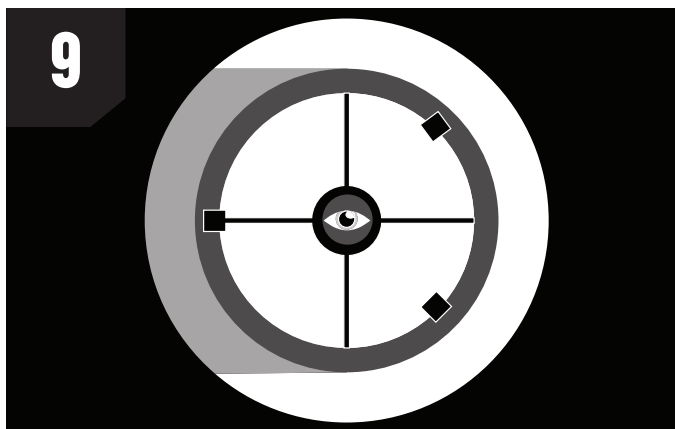
6. Guardare nuovamente attraverso il foro del tappo per collimazione per verificare che lo specchio primario sia centrato nello specchio secondario come mostrato sopra. In tal caso, lo specchio secondario è collimato. Successivamente, regolare l'inclinazione dello specchio primario fino a quando il riflesso dello specchio secondario è centrato nel riflesso dello specchio primario.



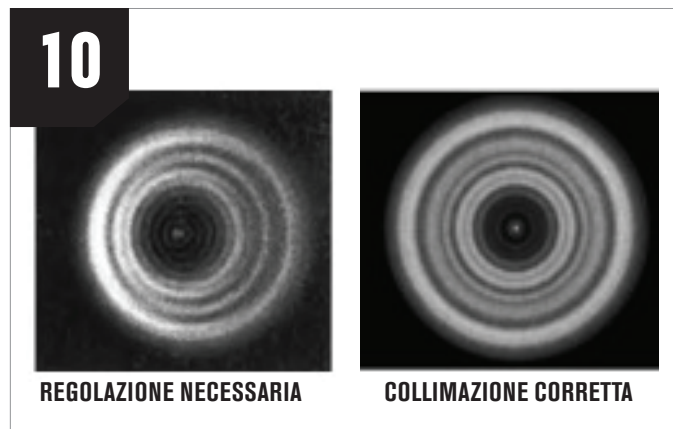
7. Non occorrono attrezzi per inclinare lo specchio primario. Regolare semplicemente le viti di fissaggio. Le tre piccole viti di fissaggio fungono da blocco, mentre le tre viti di fissaggio più grandi regolano l'inclinazione. Iniziare allentando le tre viti di fissaggio blocco.



8. Regolare le viti di fissaggio collimazione una alla volta. Ciascuna vite di collimazione è caricata a molla in modo da poter essere ruotata in senso orario o antiorario.



9. Continuare a regolare le viti di collimazione fino a quando il riflesso dello specchio secondario è centrato nel riflesso dello specchio primario come mostrato sopra. Serrare nuovamente le tre viti di fissaggio blocco fino ad ottenere una tenuta salda. Al termine, ciò che si osserva attraverso il tappo per collimazione deve apparire come mostrato.



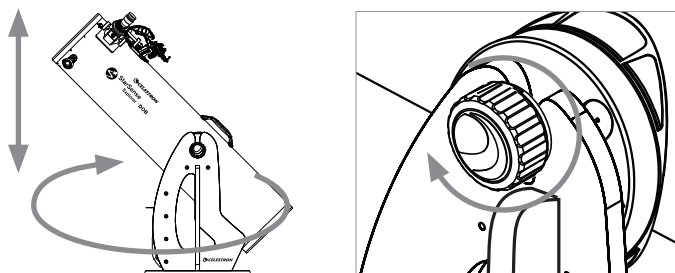
10. Le ottiche del telescopio sono ora collimate e pronte all'uso. È anche possibile confermare la collimazione del telescopio di notte puntando il telescopio su una stella luminosa con l'ingrandimento massimo. Centrare la stella nel campo visivo e diminuire leggermente la messa a fuoco; dovrebbe apparire come un cerchio con un foro al centro. (Il "foro" è l'ombra dello specchio secondario.) Se il foro non è centrato sul cerchio, occorre effettuare ulteriori regolazioni all'allineamento degli specchi.

Attivazione dell'app



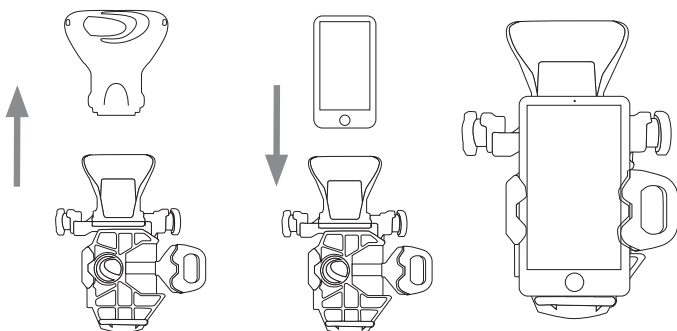
1. Prima di portare fuori il telescopio, scaricare l'app StarSense Explorer by SkySafari™ sul proprio dispositivo mobile. Cercare "Celestron StarSense Explorer" nell'App Store Apple o su Google Play. L'app è di grandi dimensioni, pertanto si consiglia di scaricarla mentre si è connessi al Wi-Fi.
2. Una volta scaricata l'app, individuare la cartolina arancione all'interno della scatola del telescopio. Avviare l'app. Quando richiesto, inserire il codice di attivazione presente sulla cartolina per attivare l'app. Il codice consente di sbloccare fino a 5 dispositivi alla volta.

Spostamento del telescopio



1. Il telescopio StarSense Dobson si sposta liberamente in altitudine (su e giù) e lungo l'azimut (da sinistra a destra). Per spostare il tubo, è sufficiente spingerlo nella direzione desiderata. È possibile utilizzare la manopola nella parte anteriore del telescopio per una presa salda.
2. Se il movimento dell'altitudine è eccessivamente libero, oppure se il telescopio si sposta verso l'alto e il basso senza applicare forza, serrare la manopola di tensionamento altitudine. Similmente, se occorre eccessiva forza per spostare il telescopio verso l'alto o verso il basso, allentare la manopola.

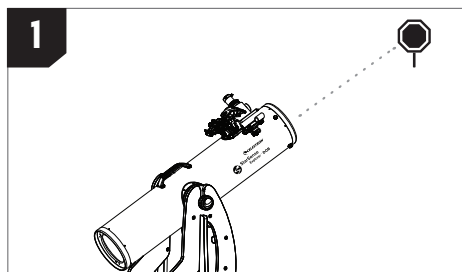
Collegamento dello smartphone



1. Rimuovere il coperchio grande che copre lo specchio nella parte anteriore dell'aggancio StarSense.
2. Tirare per aprire il binario caricato a molla in cima all'aggancio per telefono e sistemare il telefono nel supporto in modo che sia a contatto con il lembo inferiore del supporto del telefono. Rilasciare lentamente il binario per fissare il telefono in posizione.

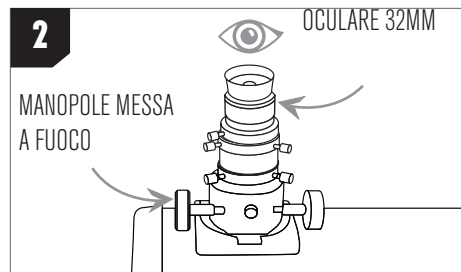
Allineamento dello StarPointer

Lo StarPointer è uno dei componenti più importanti del telescopio. Sebbene l'app StarSense Explorer individui e centri i corpi celesti, un corretto allineamento dello StarPointer aiuta ad allineare l'app al telescopio. Al primo assemblaggio del telescopio è necessario allineare il cercatore con le ottiche principali del telescopio. È preferibile eseguire questa operazione durante il giorno.*



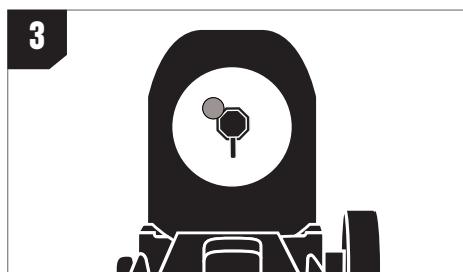
1. SCEGLIERE UN OGGETTO DA OSSERVARE
Portare il telescopio all'esterno durante il giorno e individuare un oggetto facilmente riconoscibile, come ad esempio un semaforo, la targa di un'auto o un cartello. L'oggetto dovrebbe trovarsi il più lontano possibile, minimo a 400 metri.

*** AVVERTENZA SOLARE!** Non tentare mai di osservare il Sole attraverso un telescopio senza un filtro solare adeguato.

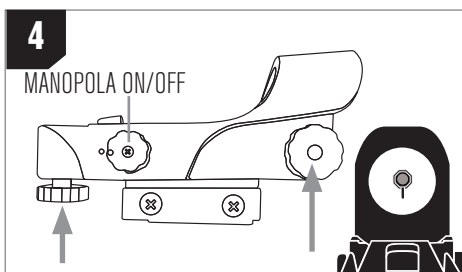


2. CENTRARE L'OGGETTO NELL'OCULARE
Guardare attraverso il telescopio utilizzando l'oculare da 32mm. Muovere il telescopio fino a quando l'oggetto prescelto si trova al centro del campo visivo. Se l'immagine è sfocata, ruotare con delicatezza le manopole di messa a fuoco fino a quando l'immagine non è nitida.

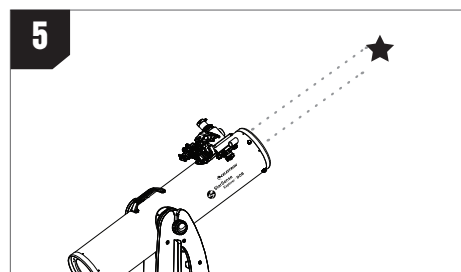
NOTA: L'immagine del telescopio potrebbe apparire capovolta. Ciò è perfettamente normale per un telescopio astronomico.



3. OSSERVARE ATTRAVERSO IL CERCATORE
Estrarre la linguetta protettiva della batteria dello StarPointer e accenderlo alla massima luminosità mediante la manopola on/off. Osservare attraverso lo StarPointer e localizzare il puntino rosso.



4. REGOLARE IL CERCATORE
Senza muovere il telescopio, utilizzare le due manopole di regolazione per spostare il mirino fino a quando appare sullo stesso oggetto che si sta osservando attraverso l'oculare da 32mm del telescopio.



5. IL CERCATORE È ORA ALLINEATO!
Non occorre effettuare un nuovo allineamento salvo colpi o cadute. Ora, quando si guarda attraverso lo StarPointer, il puntino rosso indica dove sta puntando il telescopio. Non dimenticare di spegnere il mirino al termine per preservare la batteria.

Congratulazioni! Il telescopio è ora configurato e tutto è pronto per esplorare il cosmo.

Portare all'esterno il telescopio, inserire l'oculare da 32mm, rimuovere il tappo dalla lente, inserire lo smartphone nel supporto e avviare l'app StarSense Explorer. Il tutorial dell'app guida l'utente attraverso i vari passaggi necessari per localizzare il primo oggetto astronomico.

Per maggiori informazioni sul prodotto, visitare la relativa pagina su celestron.com

AVVERTENZA SOLARE: non tentare mai di osservare il Sole attraverso un telescopio senza un filtro solare adeguato.

celestron.com/pages/warranty



BISOGNO DI AIUTO? Contattare il supporto tecnico Celestron celestron.com/pages/technical-support

Il design del prodotto e le specifiche sono soggetti a modifiche senza previa notifica. Questo prodotto è progettato per essere utilizzato da persone di età pari o superiore ai 14 anni



©2023 Celestron. Celestron e Symbol sono marchi di Celestron, LLC. Tutti i diritti riservati. Celestron.com • 2835 Columbia Street, Torrance, CA 90503 Stati Uniti

Prodotto in Cina | 03-23



AVVERTENZA: TENERE LE BATTERIE LONTANO DALLA PORTATA DEI BAMBINI

- Esaminare il dispositivo e assicurarsi che il vano batteria sia chiuso correttamente, cioè che la vite o altro fermo meccanico sia fissato.
- Non utilizzare se il vano non è chiuso.
- Smaltire le batterie a bottone usate immediatamente e in modo sicuro. Le batterie esauste possono comunque essere pericolose.
- Informare gli altri sui rischi associati alle batterie a bottone e come tenere al sicuro i bambini.

ISTRUZIONI DI SICUREZZA

- Rischio di esplosione se la batteria è sostituita con un tipo di batteria non corretto.
- La batteria in dotazione non è ricaricabile.
- Utilizzare la batteria esclusivamente come previsto originariamente per evitare un corto circuito. Quando il materiale conduttivo è in contatto diretto con il polo positivo e negativo della batteria si ha un corto circuito.
- Non usare una batteria danneggiata.
- Non conservare la batteria in un ambiente eccessivamente freddo o caldo. Ciò può ridurre la durata della batteria.
- Quando si sostituisce la batteria, consultare il manuale di istruzioni e assicurarsi che i poli positivo e negativo siano orientati correttamente.
- Non gettare la batteria nelle fiamme.
- Smaltire la batteria in conformità ai regolamenti locali.

 **CELESTRON**[®]

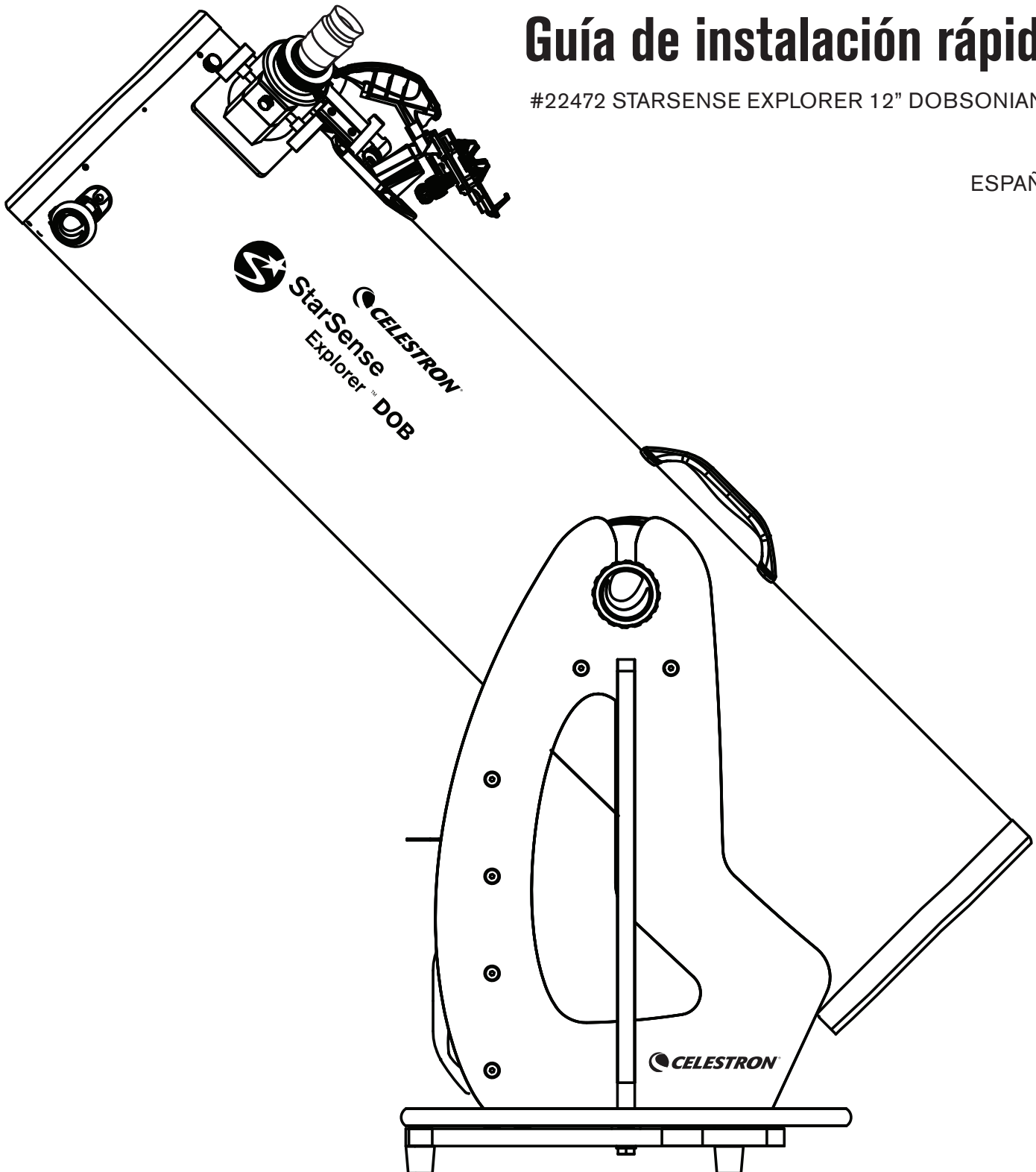


StarSense
Explorer™ DOB

Guía de instalación rápida

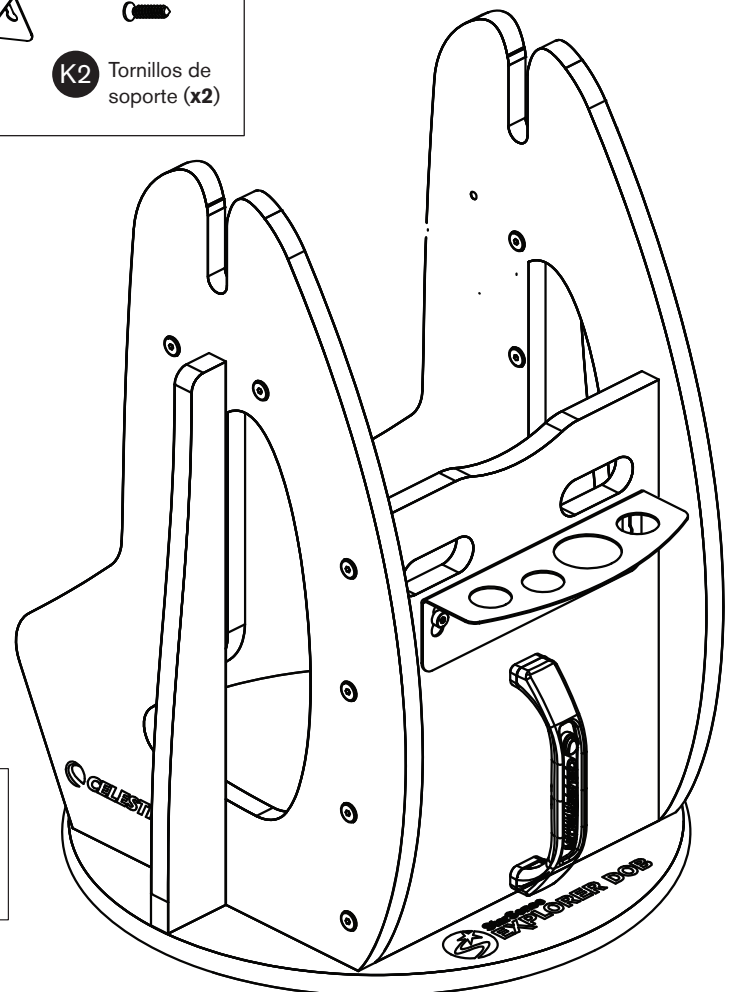
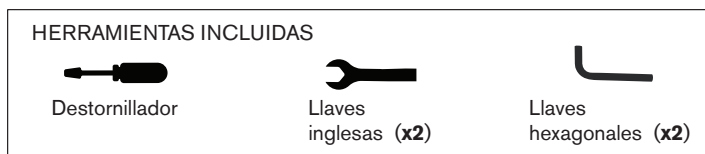
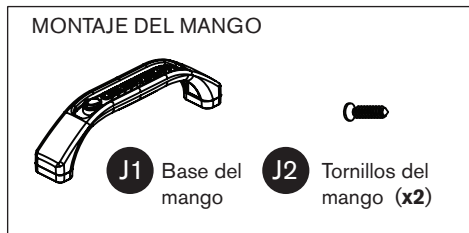
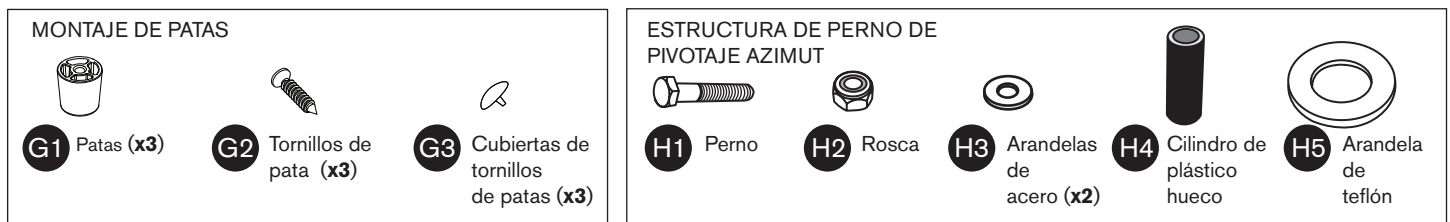
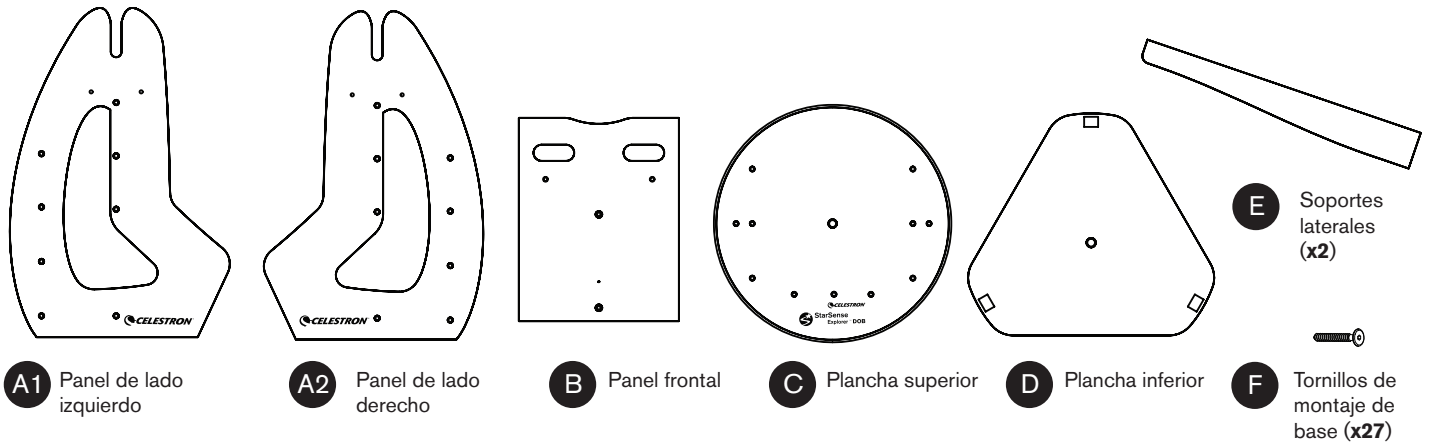
#22472 STARSENSE EXPLORER 12" DOBSONIANO

ESPAÑOL

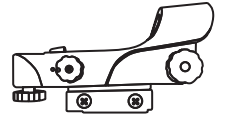
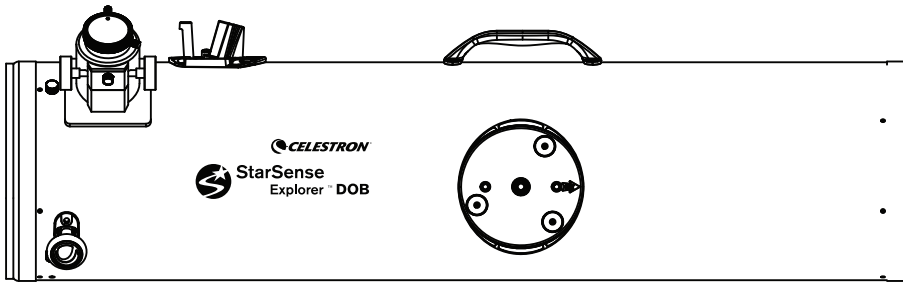


Contenido de la caja

Caja 1 - Base dobsoniana



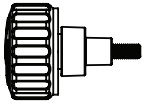
Caja 2 - Estructura del tubo óptico



O Estructura de tubo óptico con cubierta para polvo

P Conector de StarSense

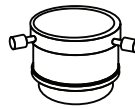
Q Localizador de punto rojo StarPointer



N1 Mando de tensión de altitud



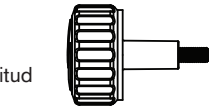
R1 Ocular de 32mm Omni Plössl



S Tubo extensor de enfoque de 2"



T Adaptador de ocular de 2" a 1,25" con tapa de 1,25"

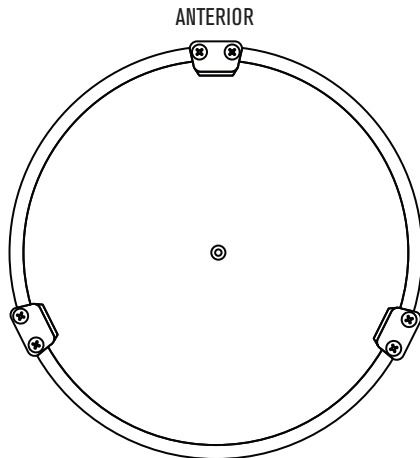


N2 Mando cosmético

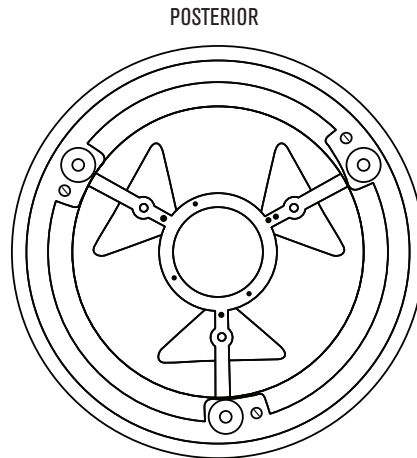


U Tapa de colimado con llave hexagonal de 2mm

CAJA 3 - Espejo primario



ANTERIOR



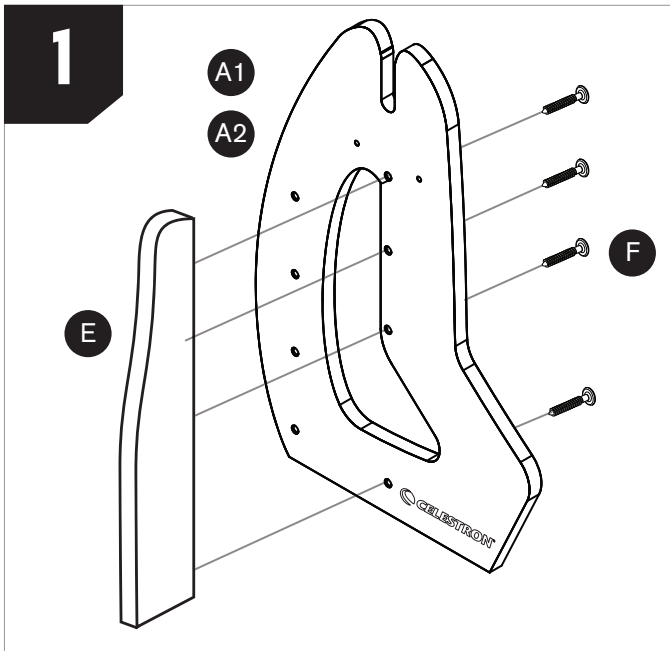
POSTERIOR

V Espejo primario en célula del espejo

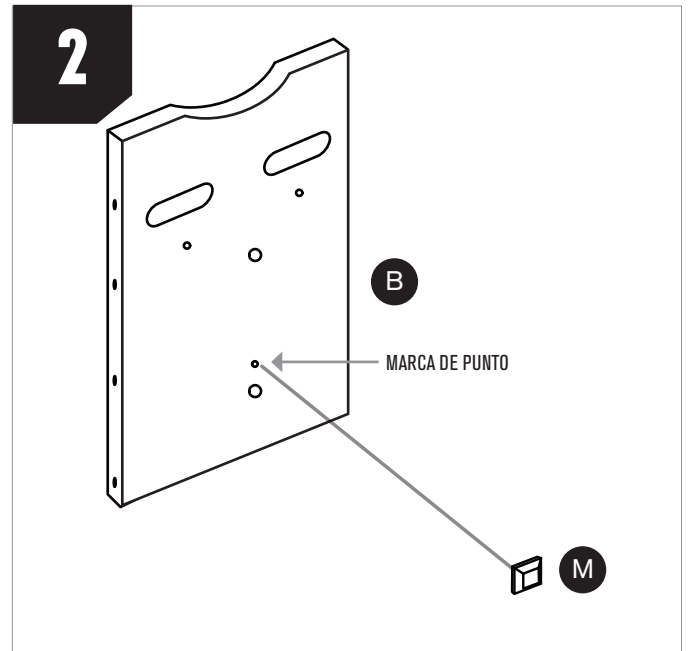


W Tornillos de la célula del espejo (x6)

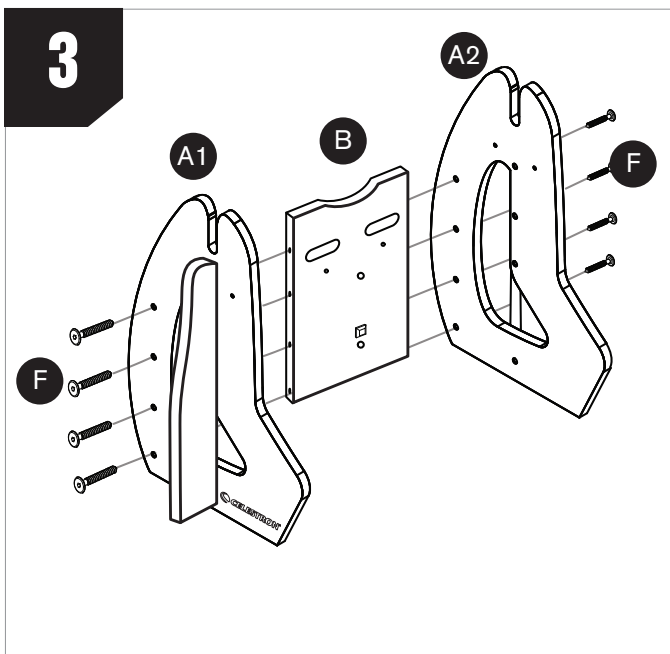
Montaje



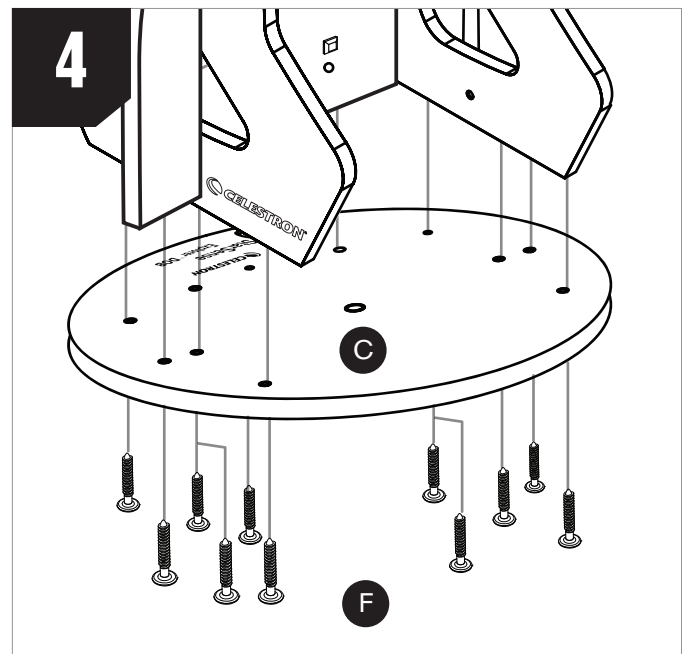
1. Conecte los soportes laterales (E) al panel del lado izquierdo (A1) y el panel del lado derecho (A2) usando 8 de los tornillos de la estructura de la base (F). Los soportes van al mismo lado de los paneles que el logotipo de Celestron.



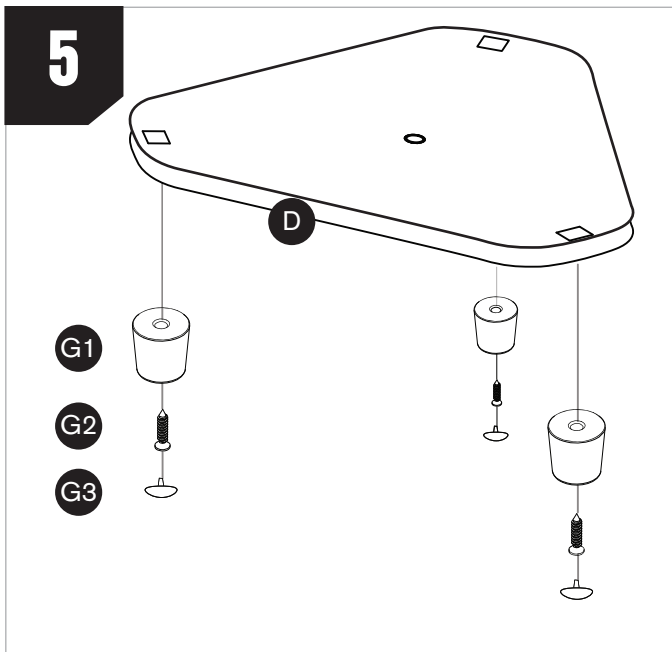
2. Instale el parachoques de caucho (M) a la superficie interior del panel frontal (B). Hay un pequeño punto en el panel frontal que indica dónde colocar el parachoques de caucho. Saque la tira del adhesivo del parachoques y presione firmemente el parachoques sobre el punto.



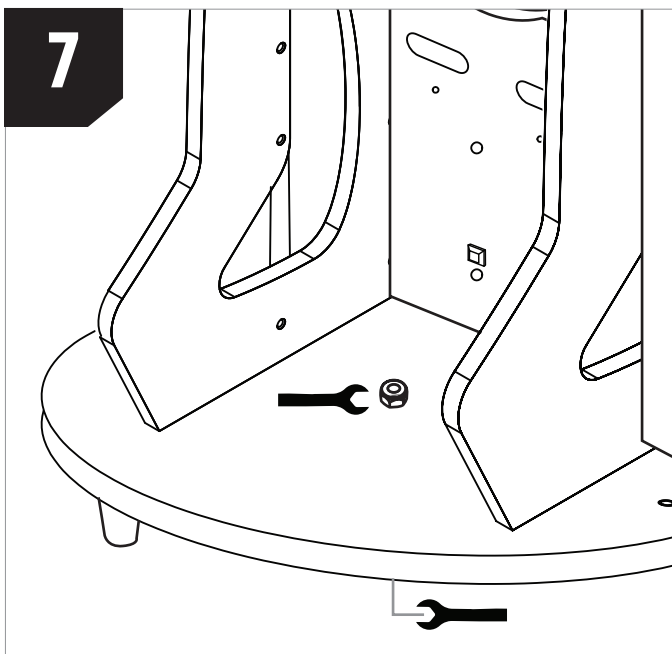
3. Conecte los paneles laterales (A1 y A2) al panel frontal (B) usando 8 de los tornillos de la estructura de la base (F). Asegúrese de que los logotipos de Celestron de los paneles laterales estén orientados hacia fuera y que el parachoques de caucho del panel anterior esté orientado hacia dentro.



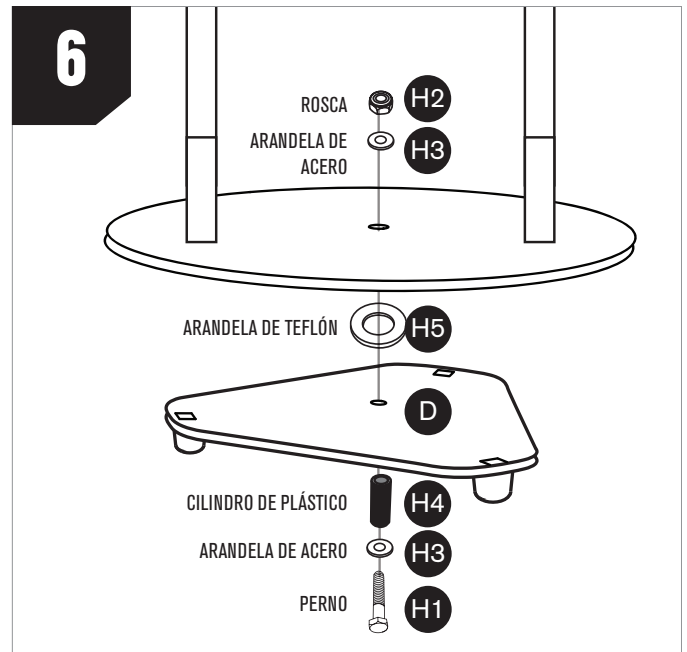
4. Conecte la estructura a la plancha superior (C) usando 11 de los tornillos de la estructura de la base (F). Oriente la plancha superior de forma que el lado con el logotipo esté orientado hacia arriba.



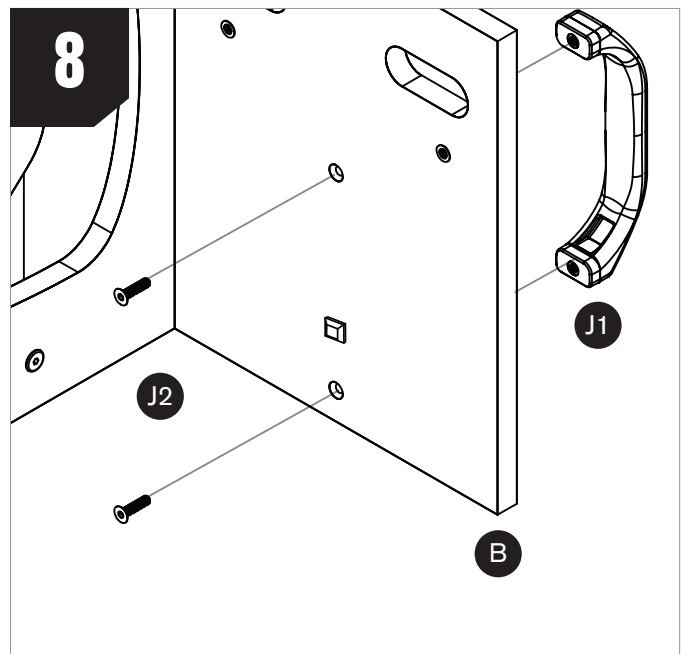
5. Instale las 3 patas (G1) a la plancha inferior (D) usando los 3 tornillos de patas (G2). Enrosque firmemente los tornillos en los agujeros pretaladrados. Una vez instalado, presione las tapas de los tornillos de las patas (G3) en los extremos de las patas.



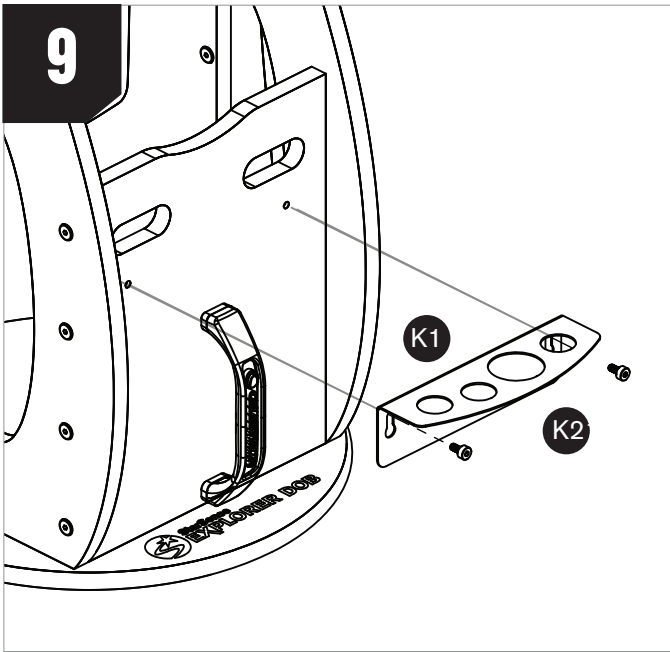
7. Use las dos llaves inglesas para apretar la rosca sobre el perno. Aguante el cabezal del perno estacionario con una llave inglesa mientras usa la otra llave para apretar la rosca. **NO APRIETE LA ROSCA EN EXCESO!** Con cierta fuerza debería ser capaz de mover la arandela de acero bajo la rosca con los dedos. Si la arandela no puede moverse con los dedos, afloje ligeramente la rosca.



6. Conecte la estructura a la plancha inferior (D). Ponga una de las arandelas de acero (H3) y el cilindro de plástico (H4) sobre el perno (H1). A continuación, introduzca el perno por el agujero central de la plancha inferior. A continuación, ponga la arandela de teflón (H5) sobre el cilindro de plástico (H4) que sobresale de la plancha. Tome la base montada y bájela sobre la plancha inferior de forma que el cilindro de plástico pase por el agujero central de la plancha superior. A continuación, coloque la arandela de acero restante (H3) sobre el extremo del perno que sobresale de la plancha superior. Enrosque la rosca (H2) sobre el perno. Vaya al paso 7 para obtener instrucciones para apretar el perno.

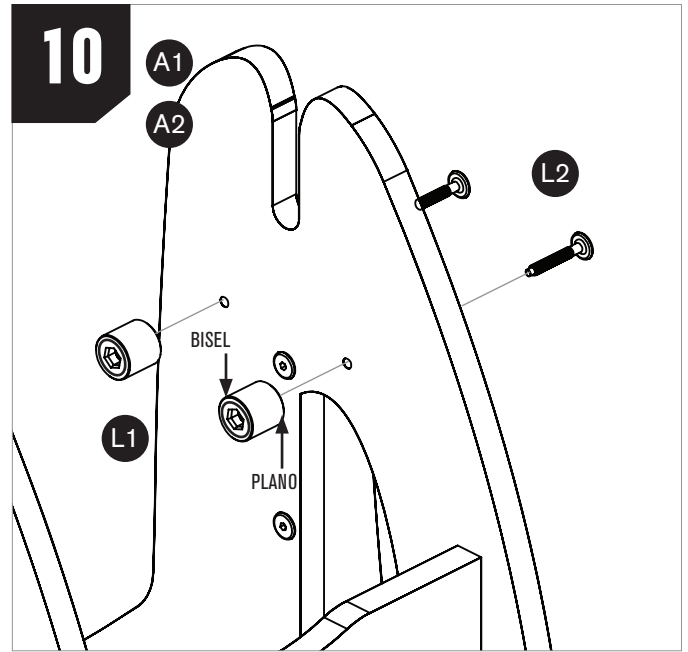


8. Instale el mango de la base (J1) en el exterior del panel frontal (B) usando los 2 tornillos del mango (J2).

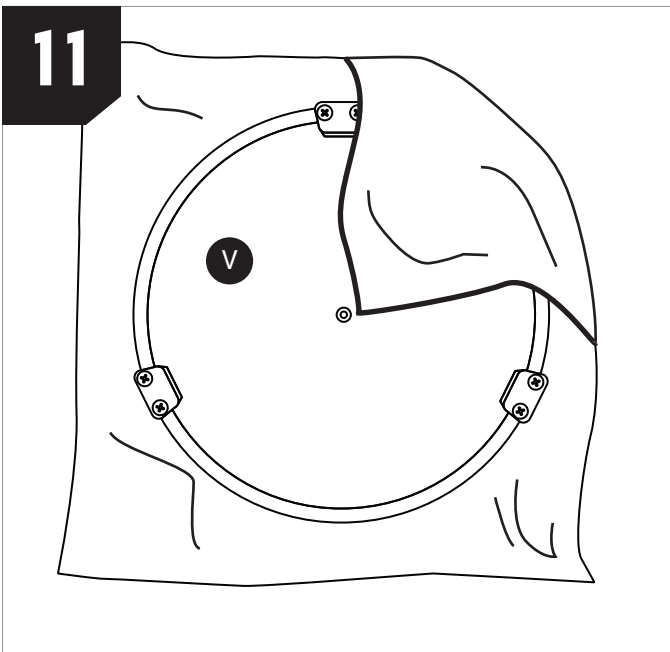


9. Instale los 2 tornillos de estante (**K2**) en el panel anterior, e instale el estante de oculares (**K1**) insertando el cabezal del tornillo por el hueco del estante de oculares, y presionando el estante hacia abajo.

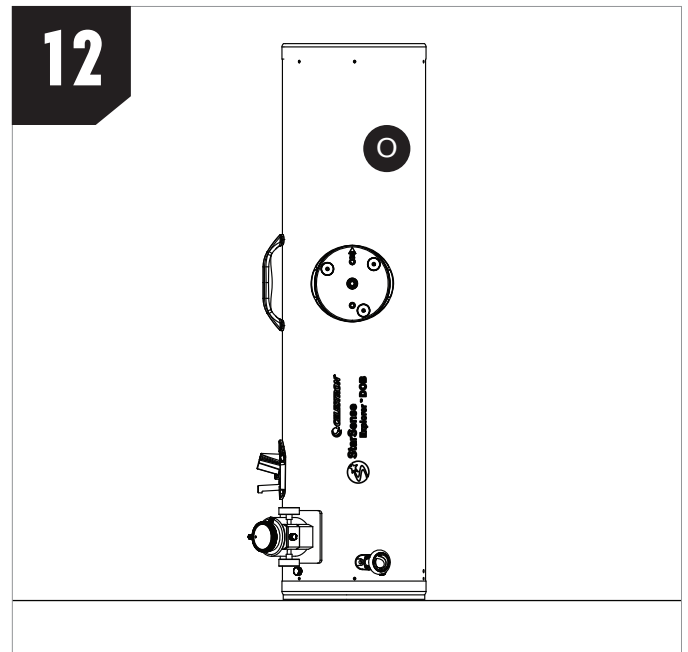
NOTA: Si desea sacar el estante después de instalarlo, tire de él hacia arriba.



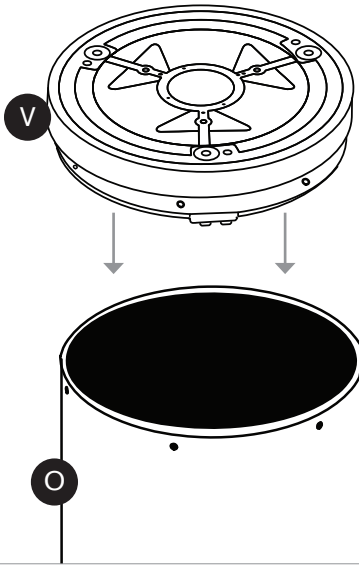
10. Instale los cilindros del cojinete de altitud (**L1**) en los paneles izquierdo y derecho (**A1 y A2**) con los tornillos del cojinete de altitud (**L2**). Los cojinetes van en las superficies interiores de los paneles laterales. El extremo plano del cojinete - sin bisel - debe estar listo respecto a la superficie del panel.



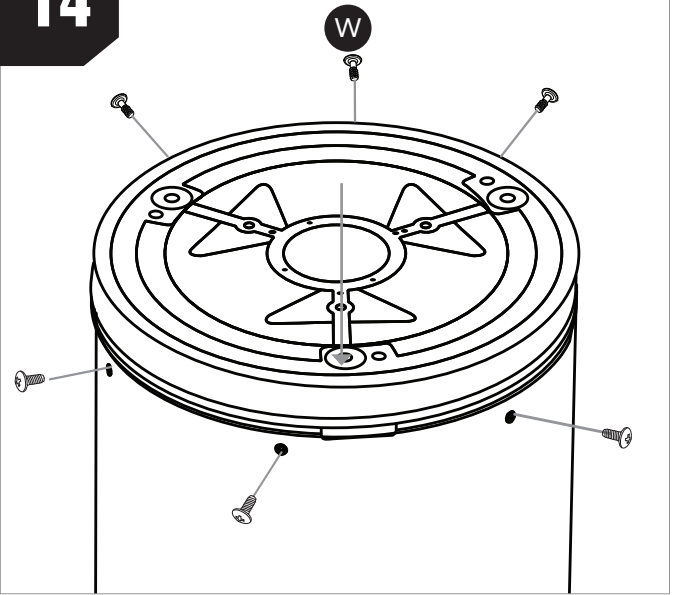
11. Instale la célula del espejo primario (**V**) en la estructura del tubo óptico (**O**). Retire primero el envoltorio de plástico y el papel que protegen el espejo primario durante el transporte.



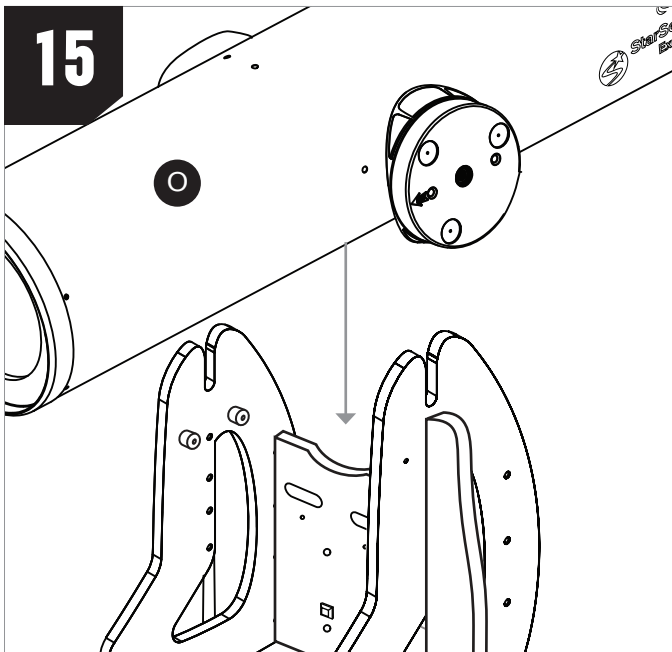
12. Ponga de pie, vertical, la estructura del tubo óptico (**O**) de forma que el extremo anterior esté en el suelo y el borde expuesto de la parte inferior del tubo esté orientada hacia arriba.

13

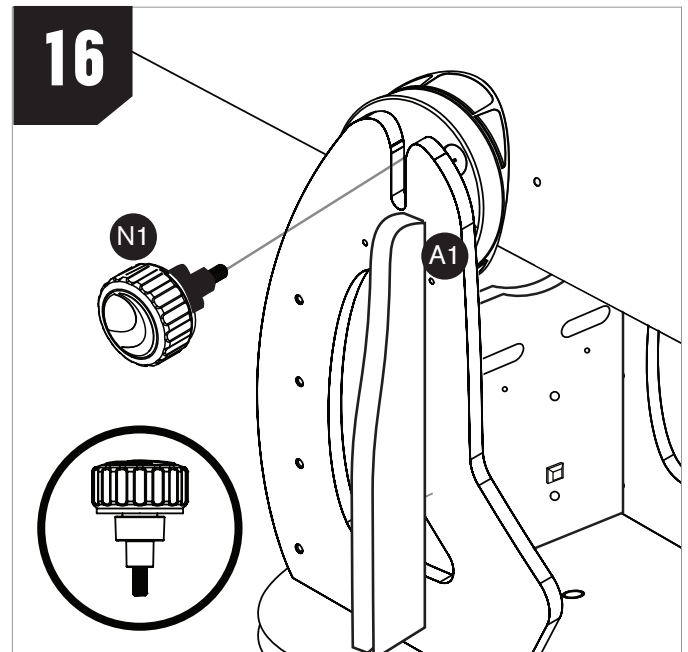
13. Ponga boca abajo la célula del espejo primario (V) (es decir, de forma que el espejo primario esté orientado hacia abajo), alinee los agujeros estriados del perímetro de la célula del espejo primario en el extremo del tubo, y ponga la célula del espejo primario en el tubo.

14

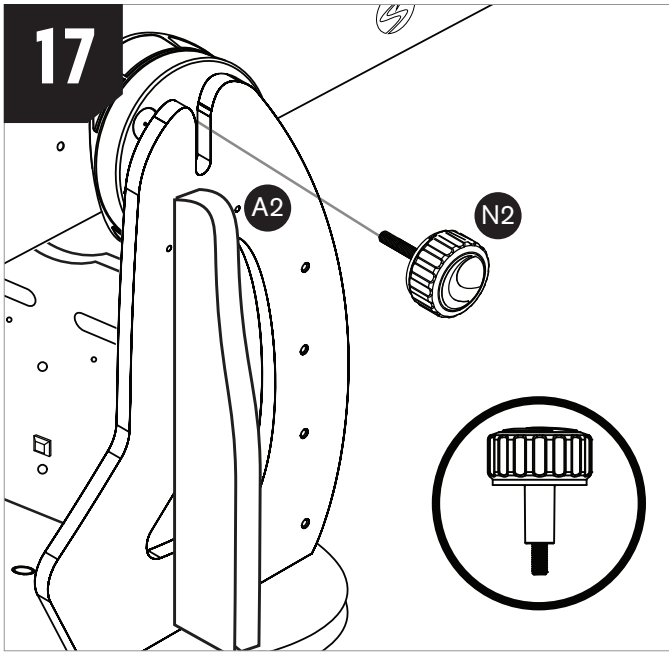
14. A continuación, instale los tornillos de la célula del espejo (W) por el tubo y en la célula. No apriete aún firmemente los tornillos, dado que puede tener que realizar ligeros ajustes en la posición de la célula para alinear con precisión los agujeros. Cuando todos los tornillos estén enroscados en la célula del espejo, apriételos firmemente en posición.

15

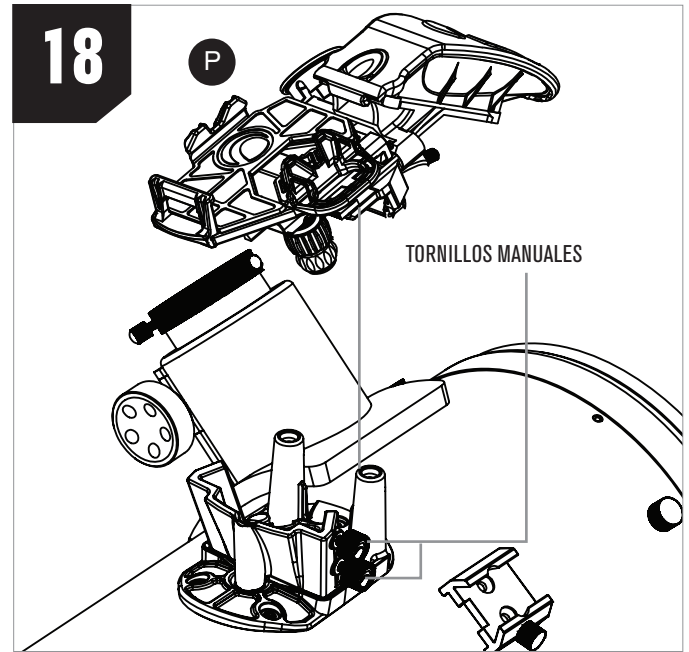
15. Ponga la estructura del tubo óptico (O) sobre la base dobsoniana montada. Los bujes laterales del tubo deberían asentarse en los cilindros del rodamiento de altitud en la base.

16

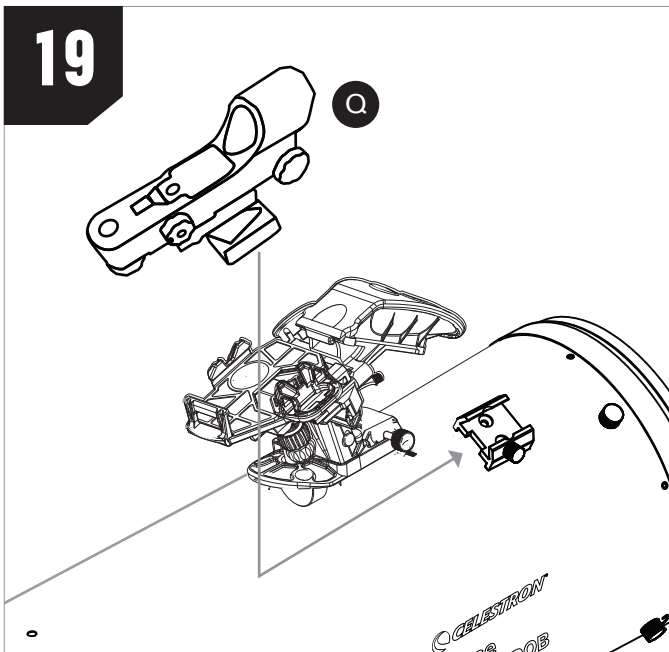
16. Instale el mando de tensado de altitud (N1) por la ranura del panel del lado izquierdo (A1) y en el accesorio estriado del centro del buje lateral en la estructura del tubo óptico. El mando de tensado (N1) es el que tiene un buje escalado en su eje.



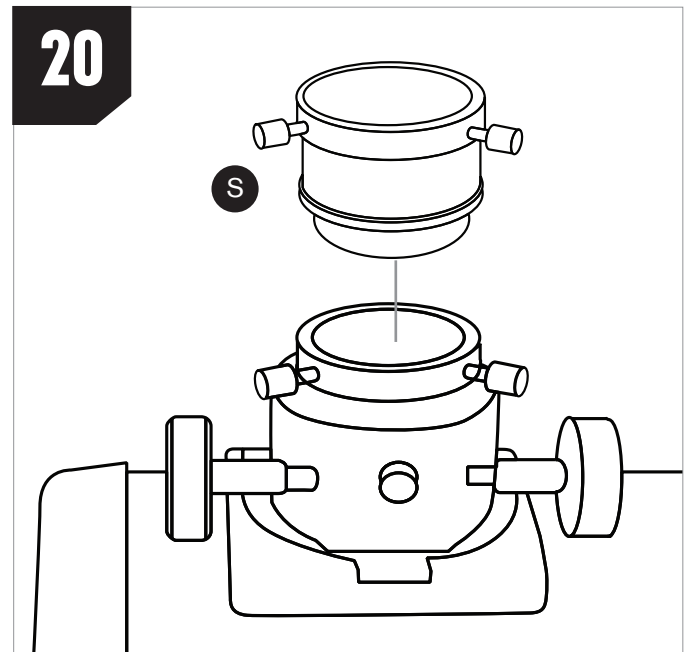
17. Instale el mando cosmético (N2) por la ranura del panel del lado derecho (A2) y en el accesorio estriado del centro del buje lateral en la estructura del tubo óptico. El mando cosmético (N2) es el que tiene un buje recto en su eje.



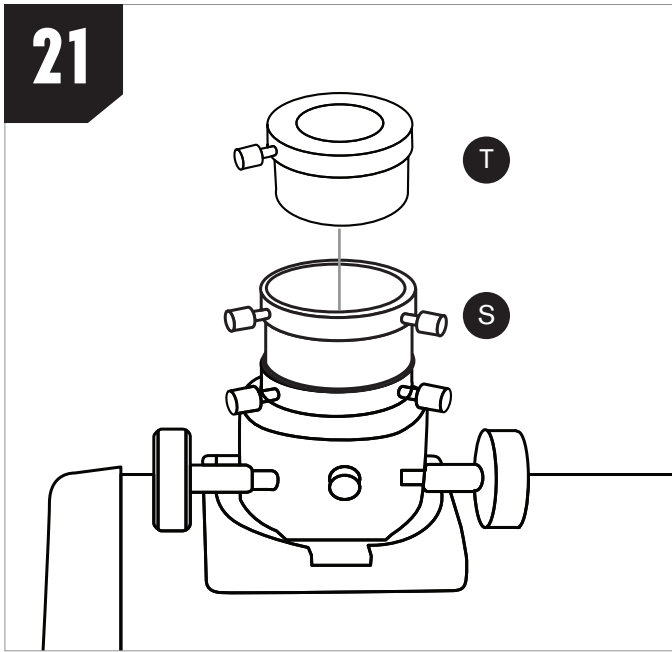
18. Instale el conector de StarSense (P). Primero, afloje los 2 tornillos manuales de la base de StarSense en el tubo. Introduzca el conector en la base, y vuelva a apretar los tornillos manuales.



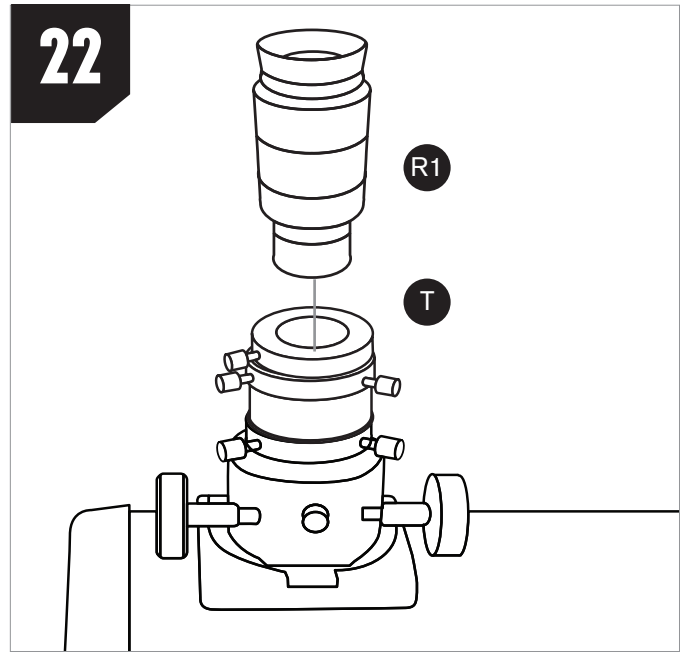
19. Instale el localizador de punto rojo StarPointer (Q) en la estructura del tubo óptico. Primero, afloje el tornillo manual del soporte del localizador. Introduzca la base del StarPointer en el soporte y apriete el tornillo manual.



20. Afloje los tornillos manuales en el extremo del enfoque e introduzca el tubo extensor de 2" (S) en el enfoque. Vuelva a apretar los tornillos manuales.



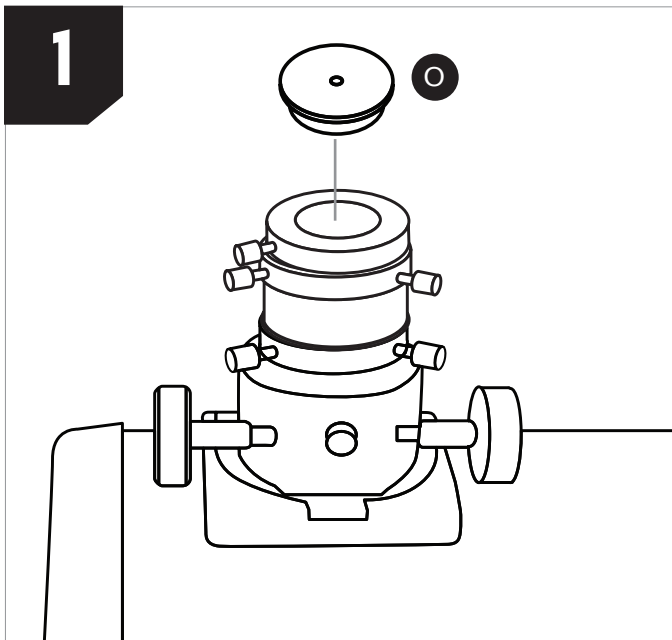
21. Afloje los tornillos manuales del tubo extensor de 2" (S) instalado en el enfoque e introduzca el adaptador de ocular de 2" a 1,25" (T). Vuelva a apretar los tornillos manuales en el tubo extensor de 2". El adaptador de 2" a 1,25" puede ya estar instalado en el tubo extensor de 2".



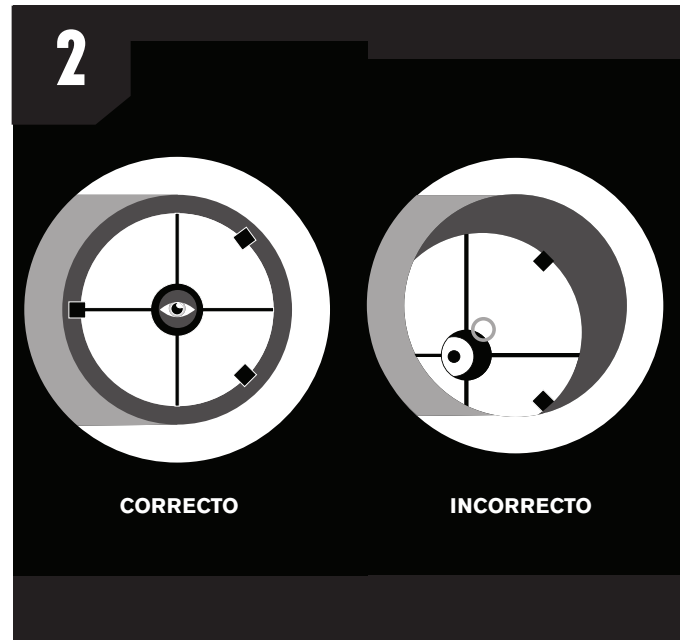
22. Afloje los tornillos manuales del adaptador de ocular de 2" a 1,25" (T) instalado en el enfoque, ponga el ocular Omni Plössl de 32mm (R1) en el adaptador y vuelva a apretar los tornillos manuales del adaptador.

Colimado de la óptica

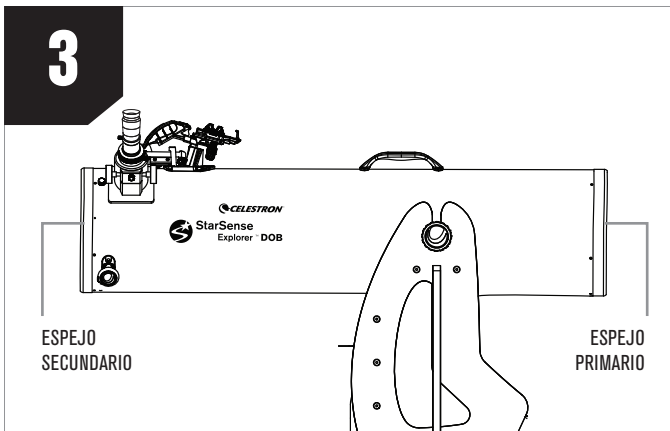
El colimado es el proceso de alineación de la óptica del telescopio. Como el espejo primario no viene instalado en el tubo óptico, recomendamos colimar la óptica antes de su primera noche en el exterior. Es más fácil colimar un telescopio de día con el telescopio apuntando a una pared vacía. De este modo conseguirá una vista de alto contraste, facilitando determinar los ajustes que deben realizarse. Use la(s) llave(s) hexagonal(es) incluida(s) para realizar los ajustes.



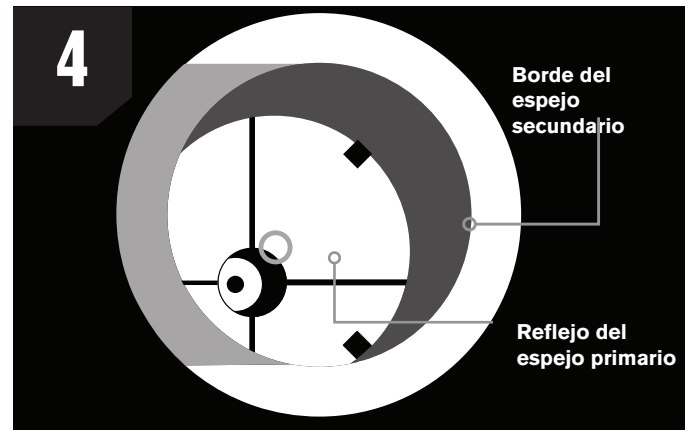
1. Para comprobar la alineación de los espejos, retire primero el ocular. Asegúrese de que el adaptador de 2" a 1,25" esté instalado en el enfoque. A continuación, ponga la tapa de colimado (U) en el enfoque.



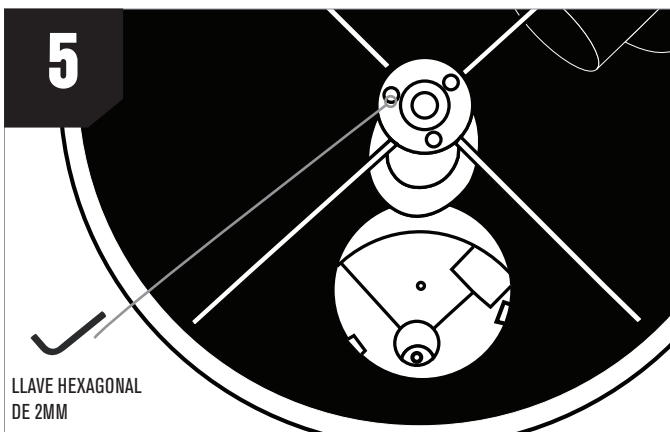
2. Mire por el pequeño agujero del centro de la tapa de colimado. Si su vista coincide con la primera imagen, su óptica está correctamente colimada y ha terminado. Si su vista se parece a la segunda imagen, deberá ajustar la alineación del espejo. Prosiga al paso 3.



3. Cuando realice ajustes, posicione el tubo horizontal. Así evitará que caiga nada sobre el espejo primario.



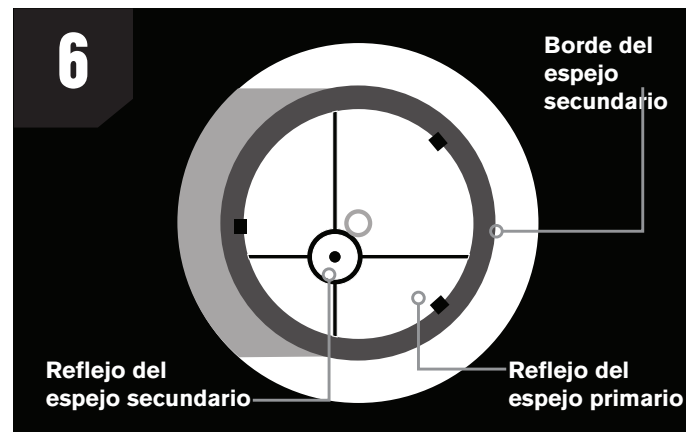
4. Debería poder ver el reflejo de todo el espejo primario centrado en el espejo secundario, como se muestra en el paso 2. Si no puede, como se muestra arriba, el espejo secundario deberá ajustarse.



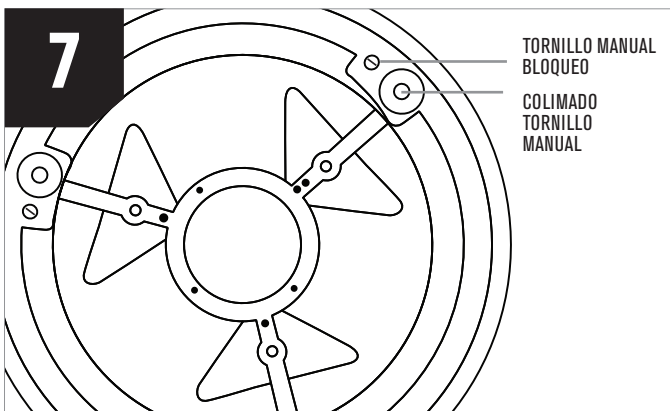
5. Ajuste primero el espejo secundario de la parte anterior del telescopio con la llave de 2mm. Use los tres tornillos de cabezal hexagonal del soporte del espejo secundario para ajustar la inclinación del espejo secundario.

- a. Ajuste un tornillo cada vez. Realice solamente ajustes pequeños.
- b. Si un tornillo se aprieta o suelta demasiado, ajuste los otros tornillos para compensar.

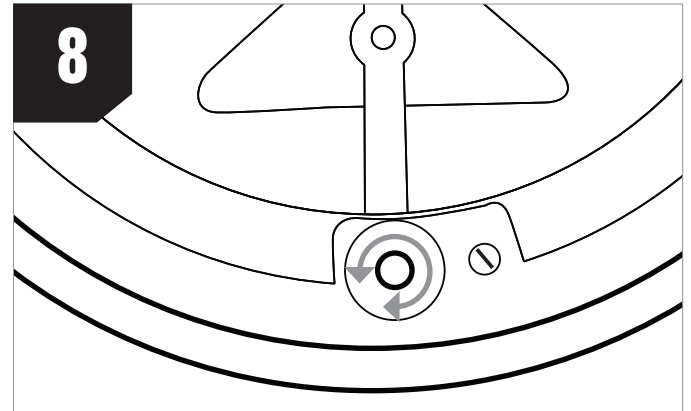
Cuando haya terminado, asegúrese de que los tres tornillos estén ajustados.



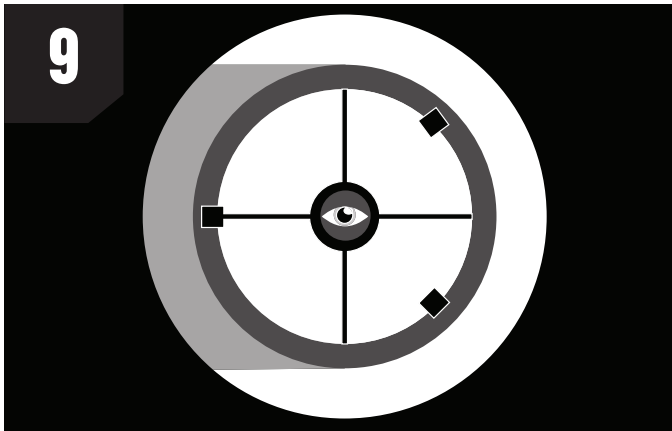
6. Mire otra vez por la tapa de colimado para comprobar que el espejo primario esté centrado en el espejo secundario, como se muestra arriba. Si lo está, el espejo secundario está colimado. A continuación, ajuste la inclinación del espejo primario hasta que el reflejo del espejo secundario esté centrado en el reflejo del espejo primario.



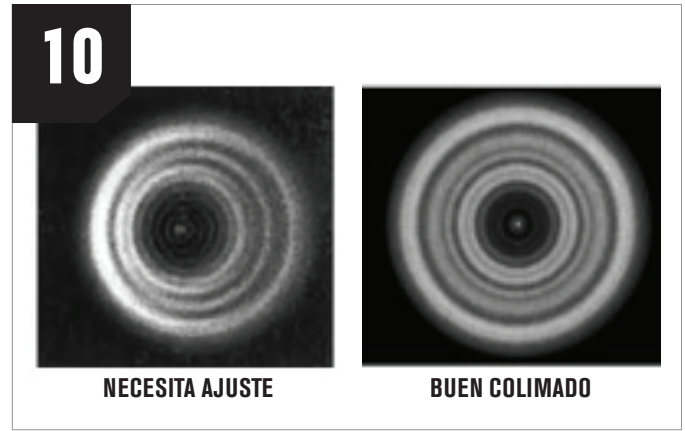
7. No necesitará herramientas para inclinar el espejo primario. En su lugar, ajuste los tornillos manuales. Tres de los tornillos manuales más pequeños son tornillos de bloqueo, mientras que los tres más grandes ajustan la inclinación. Comience aflojando los tres tornillos manuales de bloqueo.



8. Ajuste los tornillos manuales de colimado de uno en uno. Cada tornillo manual de colimado tiene un muelle, por lo que puede girarlo en sentido horario o antihorario.

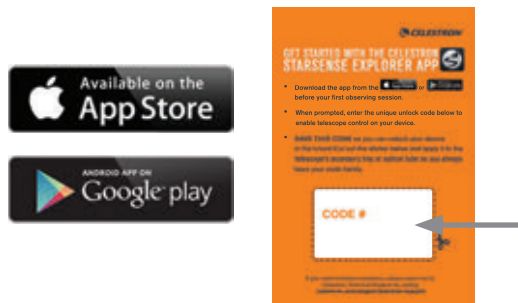


9. Siga ajustando los tornillos de colimado hasta que el reflejo del espejo secundario esté centrado en el reflejo del espejo primario como se muestra arriba. Vuelva a apretar los tres tornillos manuales de bloqueo hasta que queden ajustados. Cuando haya terminado, la vista por la tapa de colimado debería ser como se muestra.



10. La óptica de su telescopio está ahora colimada y lista para el uso. También puede confirmar el colimado de un telescopio de noche apuntando el telescopio a una estrella brillante con aumento elevado. Centre la estrella en el campo visual y desenfoque ligeramente la estrella - debería aparecer como un círculo con un agujero en el centro. (El "agujero" es la sombra del espejo secundario). Si el agujero no está centrado en el círculo, deberá realizar más ajustes en la alineación del espejo.

Activar la app



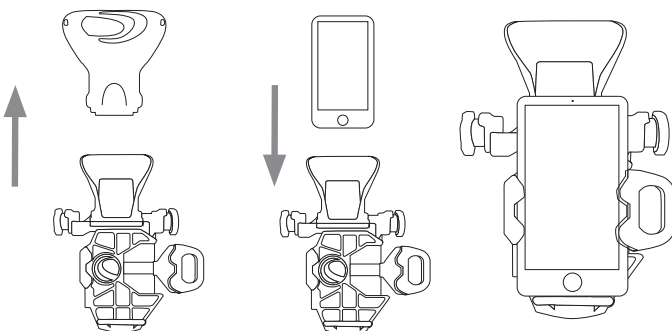
1. Antes de sacar el telescopio al exterior, descargue la app StarSense Explorer by SkySafari™ en su dispositivo móvil. Busque "Celestron StarSense Explorer" en Apple App Store o Google Play. La app tiene un gran tamaño, recomendamos que la descargue cuando esté conectado a WiFi.
2. Cuando haya descargado la app, localice la tarjeta naranja en la caja de su telescopio. Ejecute la app. Cuando se solicite, introduzca el código de activación de la tarjeta para activar la app. Su código desbloqueará hasta 5 dispositivos.

Movimiento del telescopio



1. El telescopio dobsoniano StarSense se mueve libremente en altitud (arriba y abajo) y azimut (izquierda a derecha). Mueva el tubo empujándolo en la dirección deseada. Puede usar el mango de la parte delantera del telescopio para agarrarlo con la mano.
2. Si el movimiento en altitud es demasiado libre, o el telescopio se mueve arriba o abajo sin aplicar fuerza, apriete el mando de tensado de altitud. Por otro lado, si es necesaria demasiada fuerza para mover el telescopio arriba o abajo, afloje el mando.

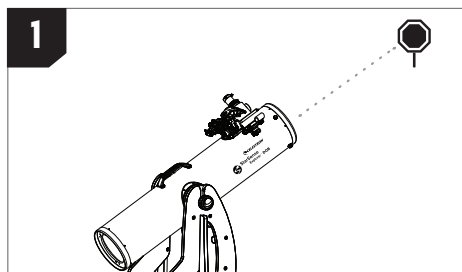
Instalación del teléfono



1. Saque la tapa grande que cubre el espejo de la parte anterior del conector StarSense.
2. Abra el deslizador de muelle de la parte superior del conector del teléfono y coloque el teléfono en el soporte de forma que quede llano con el borde inferior del soporte del teléfono. Suelte lentamente el deslizador para asegurar el teléfono en posición.

Alinear el StarPointer

El localizador de punto rojo StarPointer es una de las piezas más importantes de su telescopio. Aunque la app StarSense Explorer localizará y centrará objetos por usted, tener correctamente alineado StarPointer ayudará a alinear la app con el telescopio. La primera vez que monte el telescopio, deberá alinear el localizador con la óptica principal del telescopio. Es preferible hacerlo de día.*

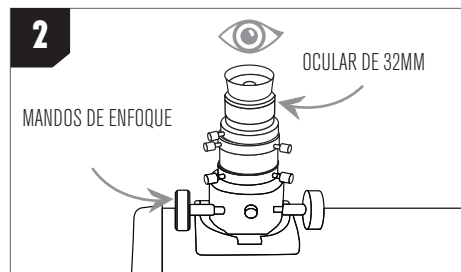


1. ELEGIR UN OBJETO

Saque el telescopio de día y localice un objeto fácilmente reconocible, como una farola, una matrícula de coche, o una señal. El objeto debe estar lo más lejos posible, al menos a 400 m.



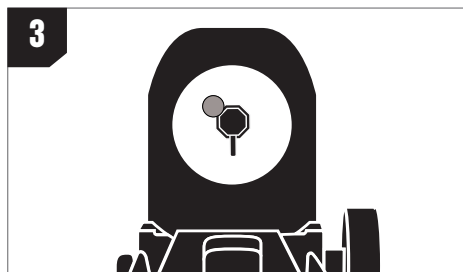
***¡AVISO SOLAR!** No intente nunca observar el sol por un telescopio sin un filtro solar adecuado.



2. CENTRAR EL OBJETO EN EL OCULAR

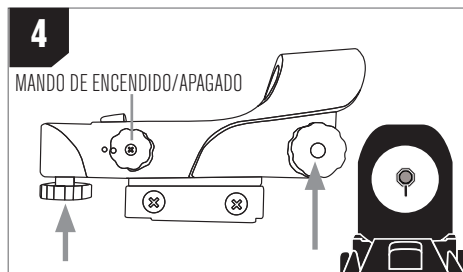
Mire por el telescopio usando el ocular de 32mm. Mueva el telescopio hasta que el objeto elegido quede en el centro del campo de visión. Si la imagen está borrosa, gire suavemente los mandos de enfoque hasta que quede enfocada.

NOTA: La imagen del telescopio puede aparecer invertida. Es normal en un telescopio astronómico.



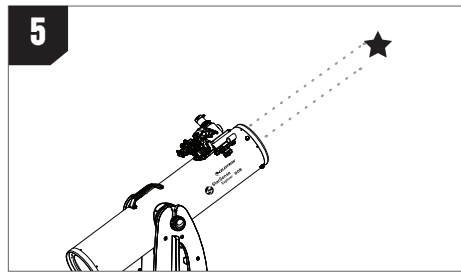
3. MIRAR POR EL LOCALIZADOR

Saque la pestaña de protección de la batería de StarPointer y póngalo al máximo brillo usando el mando de encendido/apagado. Mire por el StarPointer y localice el punto rojo.



4. AJUSTAR EL LOCALIZADOR

Sin mover el telescopio, use los dos mandos de ajuste para mover el punto rojo hasta que aparezca sobre el mismo objeto que esté observando en el ocular de 32mm del telescopio.



5. SU LOCALIZADOR ESTÁ ALINEADO.

No debería realinearse a menos que reciba golpes o caiga. Ahora, cuando mire por el StarPointer, el punto rojo indicará a dónde apunta el telescopio. No olvide apagar el punto rojo cuando termine para conservar batería.

Felicidades. El telescopio está totalmente montado y listo para explorar el cosmos.

Saque el telescopio al exterior, introduzca el ocular de 32mm, saque la tapa de la lente, introduzca el teléfono en su soporte y ejecute la app StarSense Explorer. El tutorial de la app le guiará por los pasos para localizar su primer objetivo astronómico.

Para obtener más información de este producto, visite la página de producto correspondiente en celestron.com



AVISO SOLAR:

No intente nunca observar el Sol por un telescopio sin un filtro solar adecuado.

celestron.com/pages/warranty



UK CA CE FC



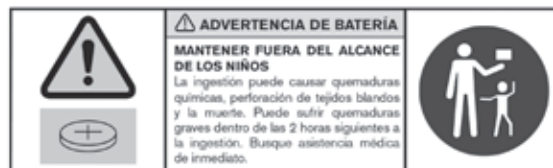
¿NECESITA AYUDA? Contacte con el soporte técnico de Celestron celestron.com/pages/technical-support

El diseño y las especificaciones del producto están sujetos a cambios sin notificación previa. Este producto ha sido diseñado y está pensado para ser usado por personas de 14 años o más de edad.

CELESTRON

©2023 Celestron. Celestron y su símbolo son marcas comerciales de Celestron, LLC. Todos los derechos reservados. Celestron.com • 2835 Columbia Street, Torrance, CA 90503 EE.UU.

Fabricado en China | 03-23



ADVERTENCIA: MANTENGA LAS BATERÍAS FUERA DEL ALCANCE DE LOS NIÑOS.

- Examine los dispositivos y asegúrese de que el compartimento de batería esté correctamente asegurado, es decir, que el tornillo u otra fijación mecánica esté apretado.
- No lo use si el compartimento no está asegurado.
- Deseche las baterías de botón usadas de inmediato y de forma segura. Las baterías gastadas aún pueden ser peligrosas.
- Avise a terceros del riesgo asociado a las baterías de botón y el modo de mantener seguros a los niños.

INSTRUCCIONES DE SEGURIDAD

- Riesgo de explosión si se sustituye la batería por un tipo incorrecto.
- La batería incluida no es recargable.
- Use la batería exclusivamente del modo originalmente pretendido para evitar un cortocircuito. Cuando el material conductor se conecte directamente al positivo y negativo de la batería causará un cortocircuito.
- No use una batería dañada.
- No guarde la batería en un entorno extremadamente frío o cálido. Hacerlo puede reducir la duración de la batería.
- Cuando cambie la batería, consulte el manual de instrucciones y asegúrese de que los lados positivo y negativo estén correctamente orientados.
- No ponga las baterías en el fuego.
- Deseche la batería según la normativa local.