

.7x Reducer Lens - EdgeHD 1100

Instruction Manual - Model #94241



Your .7x reducer lens makes your EdgeHD 1100 telescope one full F-Stop faster than at f/10. Photographically this will enable you to reduce your exposure times by one-half and still capture the same amount of light, while providing a 43% wider field of view.

Telescope Model	f/2 Configuration	.7x Reducer Lens	Standard f/10 Configuration
11"	560 mm (22")	1,960 mm (77")	2800 mm (110")

Focal lengths for the EdgeHD 1100 in its native format (f/10), with the .7x Reducer Lens and with optional f/2 lens assembly.

Attaching the Reducer

1. Remove the visual back and adapter plate from the rear of the telescope.
2. The focal reducer threads directly onto the rear baffle lock nut (see Figure 1) of your EdgeHD telescope.
3. Attach your T-Adapter (#93646, sold separately) onto the rear threads of the focal reducer.

Camera Spacing

Since the optimal photographic back focus of 146 mm is the same with or without the focal reducer attached, the optional #93646 T-Adapter can be used to attach the Nightscape CCD Camera, DSLR body or any other camera with 55 mm of back focus.

For best performance, it is highly recommended that you position your camera as close to the recommended optimal spacing as possible. It is best to maintain optimal spacing to within 1-3 mm depending on the size of your imaging sensor. As your imaging chip gets larger (farther off-axis), maintaining optimal spacing becomes more critical. Being inside of focus (too short) tends to affect the outermost edge of the field of view when using a relatively large sensor (17 mm or greater). Being outside of focus (too long) tends to produce elongated star images towards the edge and

could run the risk of running out of focus travel on your EdgeHD optical tube. In general it is better to be slightly inside of focus than outside of focus.

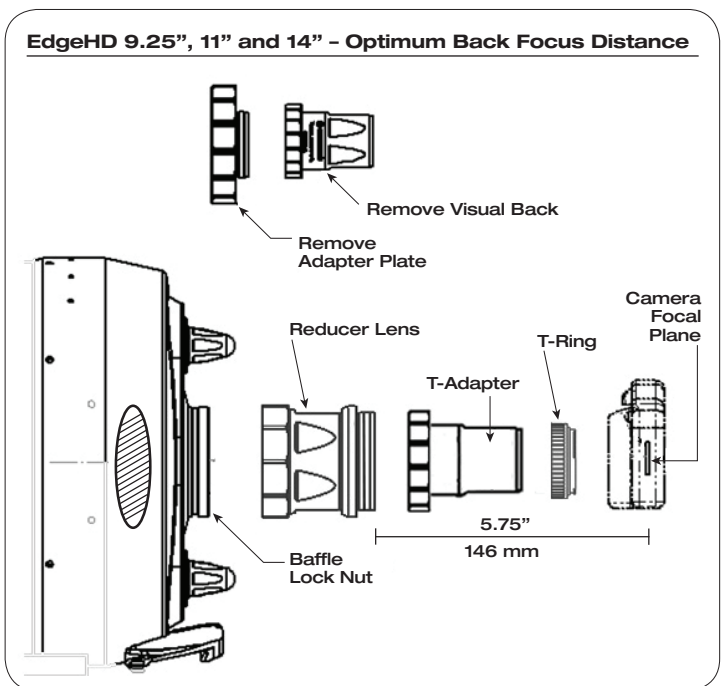


Figure 1 - Optimum Spacing for EdgeHD 9.25/11/14

Warranty: Two year limited warranty.

For complete warranty details contact Celestron or visit:

www.CELESTRON.COM

Celestron LLC • 2835 Columbia Street • Torrance, CA 90503
 Phone: 310.328.9560 • Fax: 310.212.5835
 ©2012 Celestron • All rights reserved. #94241-INST 08-12